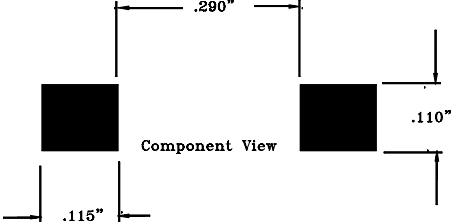
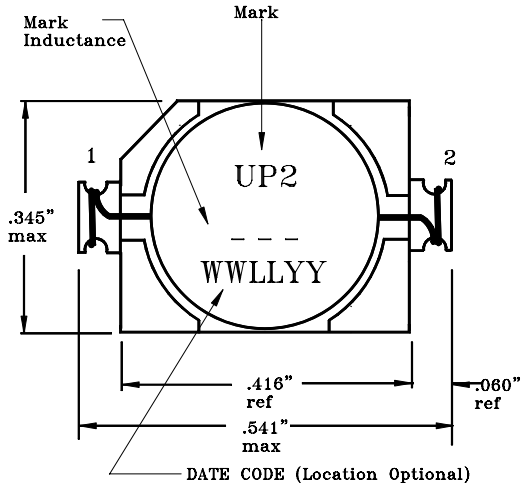
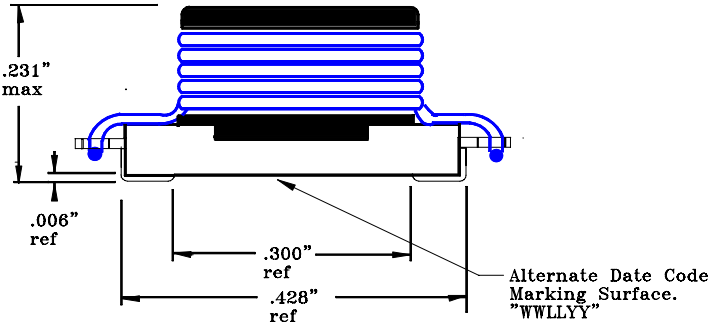


**RECOMMENDED PCB PAD LAYOUT**

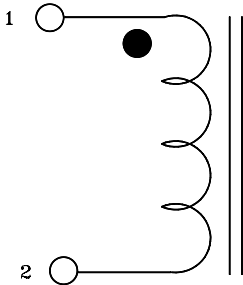
**TOP VIEW**



**FRONT VIEW**



**SCHEMATIC**



**Notes:**

- 1) Tolerances +/- .005" unless otherwise specified.
- 2) Stamping: Stamp unit on top of core as shown  
Line 1 UP2 ; line 2 Inductance (per family table chart ).

This Document Subject To Change Without Notice  
Uncontrolled Document

Cooper Electronic Technologies  
3601 Quantum Boulevard, Boynton Beach FL. 33426

UnipAc 2 Data Sheet

SIZE	Drawing Number:	<b>UP2 Inductor Line</b>
A	Revision Level:	J

<b>UniPac2 Family Table</b>		<b>Customer Information</b>							
PN		Rated Inductance μH	OCL nominal +/-20% μH Note(1)		I rms Amperes Note(2)		Isat Amperes Note(3)		DCR ohms (Ω) maximum. @ 20°C.
UP2-R47		.47	.595		10.1		11.4		.0049
<b>UP2-1R0</b>		<b>1.0</b>	<b>1.00</b>		<b>9.0</b>		<b>9.9</b>		<b>.0081</b>
UP2-1R5		1.5	1.46		8.1		7.9		.0103
<b>UP2-2R2</b>		<b>2.2</b>	<b>2.39</b>		<b>6.9</b>		<b>6.1</b>		<b>.0115</b>
UP2-3R3		3.3	3.3		6.5		5.1		.0138
<b>UP2-4R7</b>		<b>4.7</b>	<b>4.77</b>		<b>5.7</b>		<b>4.2</b>		<b>.0173</b>
UP2-6R8		6.8	6.63		5.0		3.6		.0230
<b>UP2-8R2</b>		<b>8.2</b>	<b>8.71</b>		<b>4.7</b>		<b>3.2</b>		<b>.0245</b>
<b>UP2-100</b>		<b>10</b>	<b>9.73</b>		<b>4.3</b>		<b>3.3</b>		<b>.0299</b>
<b>UP2-150</b>		<b>15</b>	<b>15.43</b>		<b>3.6</b>		<b>2.4</b>		<b>.0449</b>
<b>UP2-220</b>		<b>22</b>	<b>22.50</b>		<b>2.9</b>		<b>2.0</b>		<b>.0644</b>
<b>UP2-330</b>		<b>33</b>	<b>33.13</b>		<b>2.4</b>		<b>1.7</b>		<b>.0989</b>
<b>UP2-470</b>		<b>47</b>	<b>48.65</b>		<b>1.9</b>		<b>1.4</b>		<b>.1461</b>
UP2-680		68	68.17		1.7		1.2		.1898
<b>UP2-820</b>		<b>82</b>	<b>85.60</b>		<b>1.5</b>		<b>1.0</b>		<b>.2473</b>
UP2-101		100	102.60		1.4		.95		.2772
UP2-151		150	152.70		1.1		.78		.4244
UP2-221		220	230.00		.93		.62		.6360
UP2-331		330	338.00		.76		.51		.9775
<b>UP2-471</b>		<b>471</b>	<b>471.8</b>		<b>.55</b>		<b>.44</b>		<b>1.31</b>

**Part number definition:**

First 3 characters = Product code and size.

Last 3 characters = Inductance in μH. R=decimal point.

If no R is present third character = # of zeros.

**THis Document Subject To Change Without Notice**

Uncontrolled Document

Notes:

- (1) Test parameters: 0.250Vrms, 100KHz, and 0.0A dc.
- (2) Rms current for a ΔT of 40°C. at an ambient temperature of 85°C..
- (3) Peak current for approximateley a 10% rolloff.
- (4) Units supplied in tape and reel (600 units per 13" reel) packaging. EIA481 compliant.
- (5) OCL= Open circuit inductance .
- (6) Hipot: winding to core 300Vdc min.

Cooper Electronic Technologies

3601 Quantum Boulevard, Boynton Boulevard, FL 33426

UniPac 2 Data Sheet

SIZE	Drawing Number:	<b>UP2 Inductor Line</b>
A	Revision Level: J	