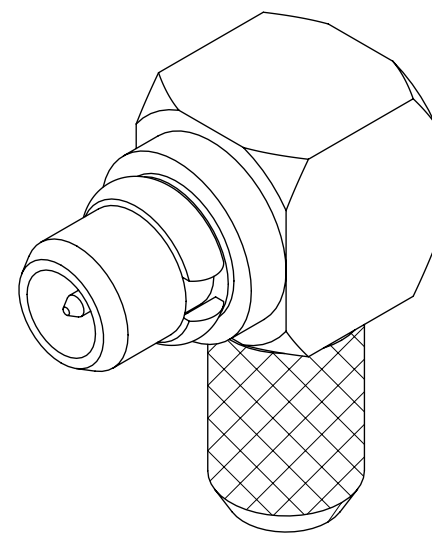
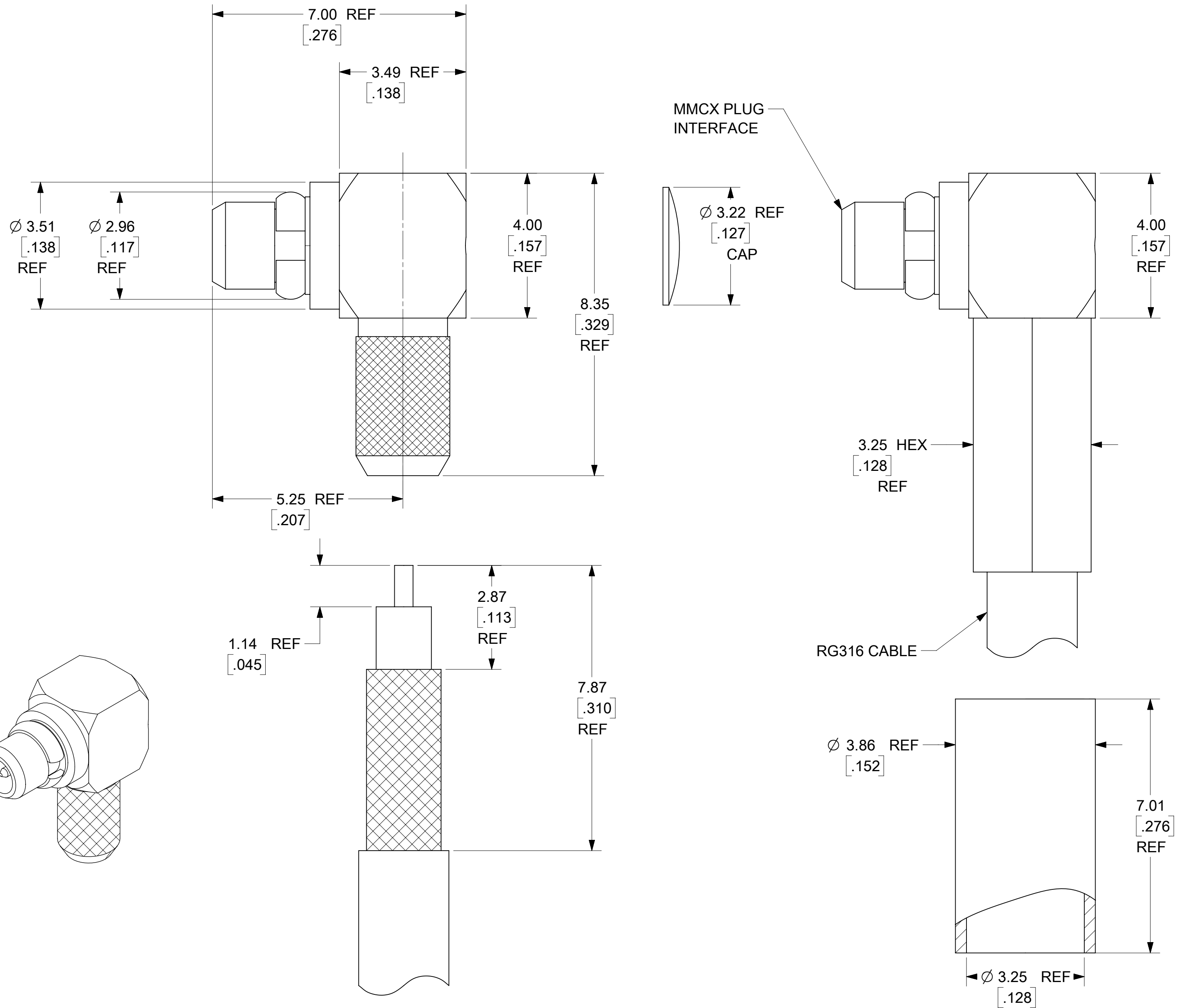
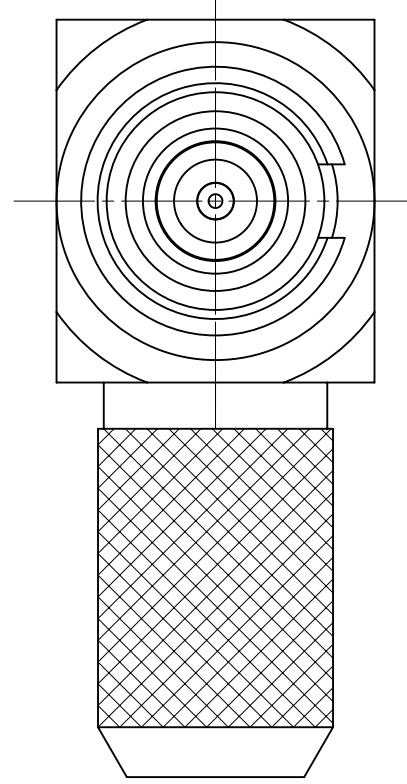


MATERIALS AND FINISHES:

BODY, CONTACT ,CAP, CRIMP TUBE: BRASS
FINISH: GOLD OVER NICKEL(SEE TABLE)

SNAP RING: BERYLLIUM COPPER
FINISH: GOLD OVER NICKEL(SEE TABLE)

INSULATOR: PTFE



CABLE STRIP DIMENSIONS

AS-89675-5070	CABLE ASSY INSTRUCTION
IEC-61169-52	INTERFACE
PS-89675-1920	ELECTRICAL/MECHANICAL
SPECIFICATION	DESCRIPTION

73415-1126	COMMERCIAL	BULK (BY BAG)
73415-1125	COMMERCIAL	BULK (BY BAG)
73415-1124	COMMERCIAL	BULK (BY TRAY)
73415-1123	COMMERCIAL	BULK (BY BAG)
73415-1122	COMMERCIAL	ONE PER BAG
73415-1121	COMMERCIAL	BULK (BY BAG)
73415-1120	MILITARY	BULK (BY BAG)
PART NO.	PLATING	PACKAGING

73415-1126	1 OVER 50	5 OVER 50	1 OVER 50	1 OVER 50	1 OVER 50
73415-1125	1 OVER 50	1 OVER 50	1 OVER 50	1 OVER 50	1 OVER 50
73415-1124	1 OVER 50	10 OVER 70	1 OVER 50	1 OVER 50	1 OVER 50
73415-1123	8 OVER 80	30 OVER 50	30 OVER 100	10 OVER 100	8 OVER 80
73415-1122	1 OVER 50	30 OVER 50	1 OVER 50	1 OVER 50	1 OVER 50
73415-1121	1 OVER 50	30 OVER 50	1 OVER 50	1 OVER 50	1 OVER 50
73415-1120	30 OVER 100	50 OVER 100	30 OVER 50	50 OVER 100	30 OVER NA

PART NO.	BODY (μ-in MIN)	CONTACT (μ-in MIN)	SNAP RING (μ-in MIN)	CAP (μ-in MIN)	CRIMP TUBE (μ-in MIN)
PLATING (GOLD OVER NICKEL)					

DOCUMENT STATUS	P1	RELEASE DATE	2020/12/10	07:06:38
-----------------	----	--------------	------------	----------

THIS DRAWING CONTAINS INFORMATION THAT IS PROPRIETARY TO MOLEX ELECTRONIC TECHNOLOGIES, LLC AND SHOULD NOT BE USED WITHOUT WRITTEN PERMISSION

FUNCTIONAL SYMBOLS	DIMENSION UNITS	SCALE	CURRENT REV DESC: EWR-14225-A
$F/A = 0$	mm	20:1	CHG: JUSTIFY DIMENSION TO 7.87REF FROM .31REF
$F/E = 0$	GENERAL TOLERANCES (UNLESS SPECIFIED)		
$F/D = 0$	MM	INCH	
DIVISIONAL SYMBOLS	4 PLACES	±	±
	3 PLACES	±	± 0.01
	2 PLACES	± 0.25	±
	1 PLACE	±	±
	0 PLACES	±	±
	ANGULAR TOL	± 2.0°	
	DRAFT WHERE APPLICABLE MUST REMAIN WITHIN DIMENSIONS		

EC NO: 651081	DRWN: JSU18	2020/12/10
CHK'D: YCHENG	APPR: YCHENG	2020/12/10
INITIAL REVISION:	DRWN: RFC_PLMIMP	2017/12/28
	APPR: JWIENER	2005/12/22

DOCUMENT NUMBER	DOC TYPE	DOC PART	REVISION
SD-73415-112	PSD	001	A13

MATERIAL NUMBER	CUSTOMER	SHEET NUMBER
SEE TABLE		1 OF 1

molex

MMCX PLUG, R/A RG316
50 OHMS, MMCX-PC, EWR-11074

PRODUCT CUSTOMER DRAWING