

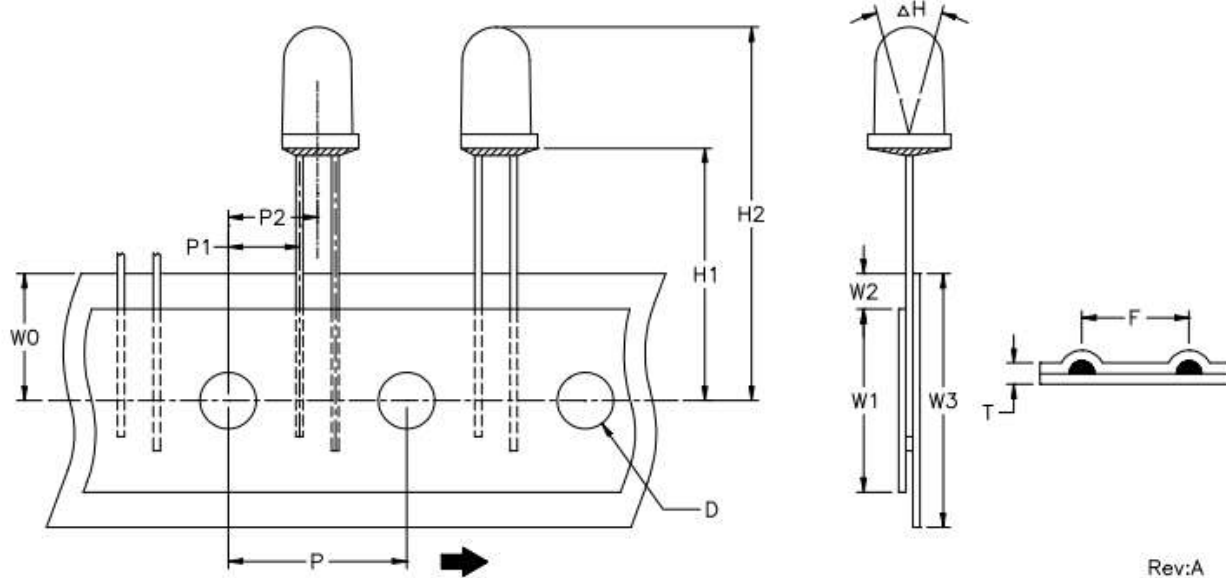


American Opto Plus LED Corp.

L513ED-TR

5mm Red Diffused LED Lamp (Tape and Reel)

PACKAGE OUTLINES



FEATURES

1. Low Power Consumption.
2. High Intensity.
3. I.C. compatible.
4. Tape and Reel Package.
5. Ammo Pack.
6. Reel Pack.
7. GaAsP/GaP Material Technology.
8. Red Diffusion Lens.

Note:

1. Tolerance is $\pm 0.25\text{mm}$ (0.01 inches).

Version 1.0 Date: 06/25/2021 Specifications are subject to change without notice.

American Opto Plus LED Corp. 1206 E. Lexington Ave., Pomona CA 91766 Tel: 909-465-0080 Fax: 909-465-0130 www.aopled.com



American Opto Plus LED Corp.
L513ED-TR
5mm Red Diffused LED Lamp (Tape and Reel)

DIMENSIONS

Item	Symbol	Millimeter		Inch	
		Size	Tolerance	Size	Tolerance
Tape Feed Hole Diameter	D	4.0	±0.2	0.157	±0.008
Component Lead Pitch	F	2.54	±0.5	0.1	±0.020
Front To Rear Deflection	ΔH	--	Max 2.0	--	Max 0.079
Height Of Seating Plane	H	--	±0.5	--	±0.020
Feed Hole To Bottom Of Component	H1	24.0	±0.5	0.945	±0.020
Feed Hole To Overall Component Height	H2	32.6	±0.5	1.283	±0.020
Feed Hole Pitch	P	12.7	±0.3	0.5	±0.012
Lead Location	P1	4.6	±0.7	0.181	±0.028
Center Of Component Location	P2	6.35	±1.3	0.25	±0.051
Overall Taped Package Thickness	T	--	Max 1.42	--	Max 0.056
Feed Hole Location	W0	9.0	±0.5	0.354	±0.020
Adhesive Tape Width	W1	13.0	±0.5	0.512	±0.020
Adhesive Tape Position	W2	--	Max 4.0	--	Max 0.157
Tape Width	W3	18.0	±0.5	0.709	±0.020
Bottom Of Component To Curve Of L/M	M	--	±0.5	--	±0.020



American Opto Plus LED Corp.

L513ED-TR

5mm Red Diffused LED Lamp (Tape and Reel)

ABSOLUTE MAXIMUM RATINGS

Ta=25°C

Parameter	Symbol	Max	Unit
Power Dissipation	PD	84	mW
Reverse Voltage	VR	5	V
Forward Current	IF	30	mA
Pulse Forward Current	IPF	100	mA
Operating Temperature Range	Topr	-40~+80	°C
Storage Temperature Range	Tstg	-40~+100	°C

Lead Soldering Temperature (1.6mm/0.063 inches from body) 260°C for 5 seconds.

ELECTRO-OPTICAL CHARACTERISTICS

Ta=25°C

Parameter	Symbol	Test Condition	Min	Typ	Max	Unit
Forward Voltage	VF	IF=20mA	--	2.0	2.8	V
Reverse Current	IR	VR=5V	--	--	100	μA
Peak Wavelength	λP	IF=20mA	--	635	--	nm
Viewing Angle	Δθ	IF=20mA	--	45	--	deg
Luminous Intensity	Iv	IF=10mA	15	30	--	mcd