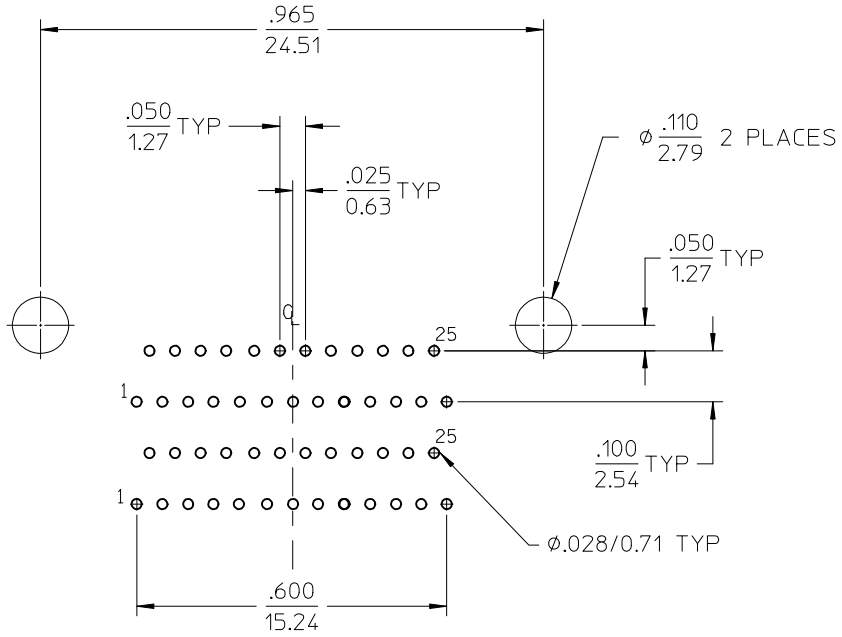
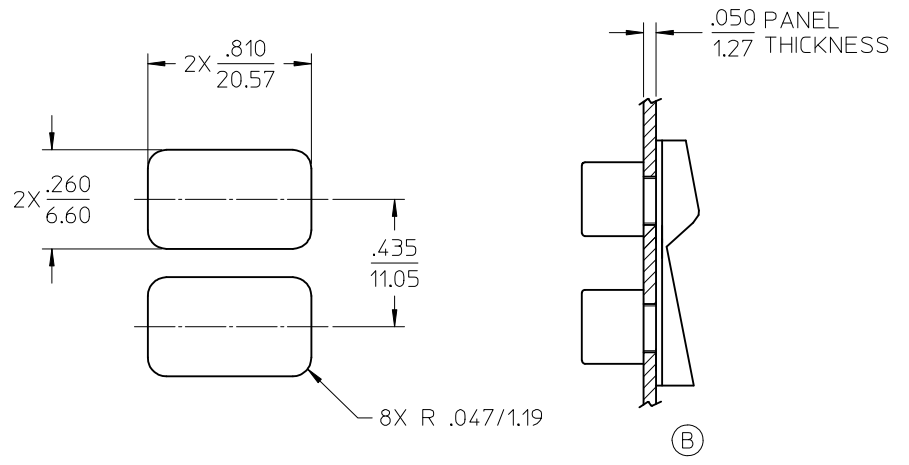


- 1. MARKING: NONE
- 2. SEE SHEET 2 FOR PCB LAYOUT AND PANEL CUT-OUT DIMENSIONS.
- 3. PART IS RoHS COMPLIANT

REMOVE JACKPOST EC NO: IFC2017-0765 DR: MNRUPERT 2017/02/09 CHKD: APPR: WJLUNG 2017/04/28	DESCRIPTION REMOVE JACKPOST	QUALITY SYMBOLS	GENERAL TOLERANCES (UNLESS SPECIFIED)	DIMENSION STYLE IN/MM	SCALE NONE	DESIGN UNITS INCH	THIRD ANGLE PROJECTION		
		▼=0 ▽=0	mm INCH 4 PLACES ± --- ± --- 3 PLACES ± --- ± .010 2 PLACES ± 0.25 ± .01 1 PLACE ± 0.25 ± --- ANGULAR ±1/2°	DRAWN BY DATE JLOMASTR 06/04/17 CHECKED BY DATE RDEROSS 06/04/17 APPROVED BY DATE RDEROSS 06/04/17	TITLE COMMERCIAL MICRO D DUAL STACK SIZE 25/50 WITHOUT JACKPOSTS				
		DRAFT WHERE APPLICABLE MUST REMAIN WITHIN DIMENSIONS			MATERIAL NO. 836199202	DOCUMENT NO. SD-83619-013	MOLEX INCORPORATED		
					SIZE B	THIS DRAWING CONTAINS INFORMATION THAT IS PROPRIETARY TO MOLEX INCORPORATED AND SHOULD NOT BE USED WITHOUT WRITTEN PERMISSION			

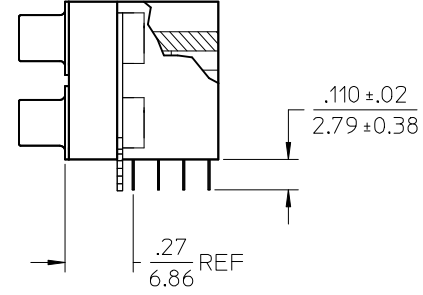
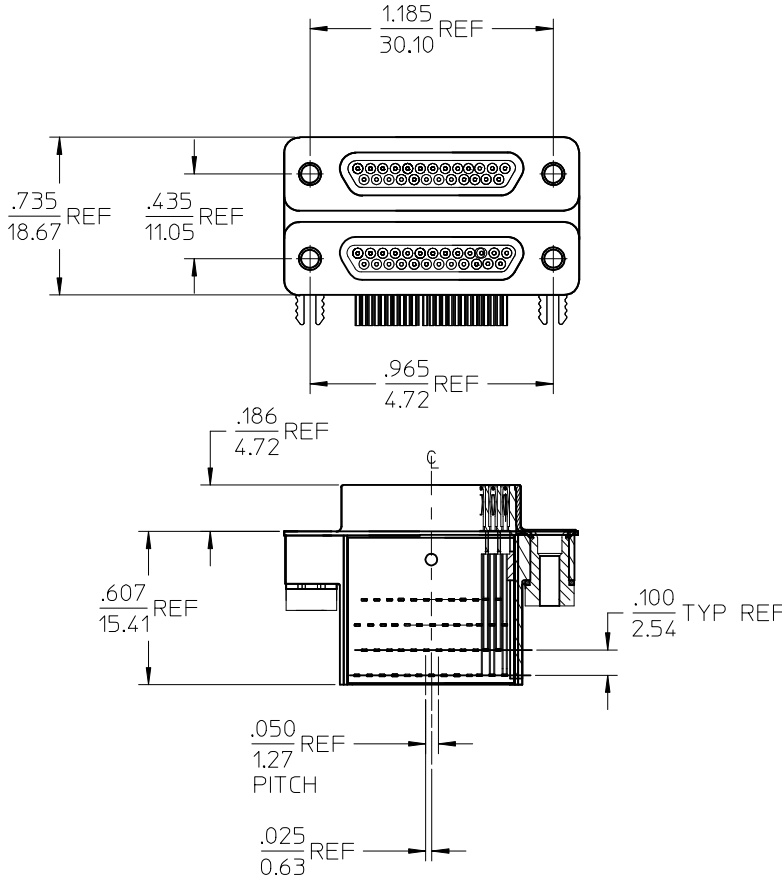


**RECOMMENDED  
P.C.B. LAY-OUT  
SOLDER SIDE**



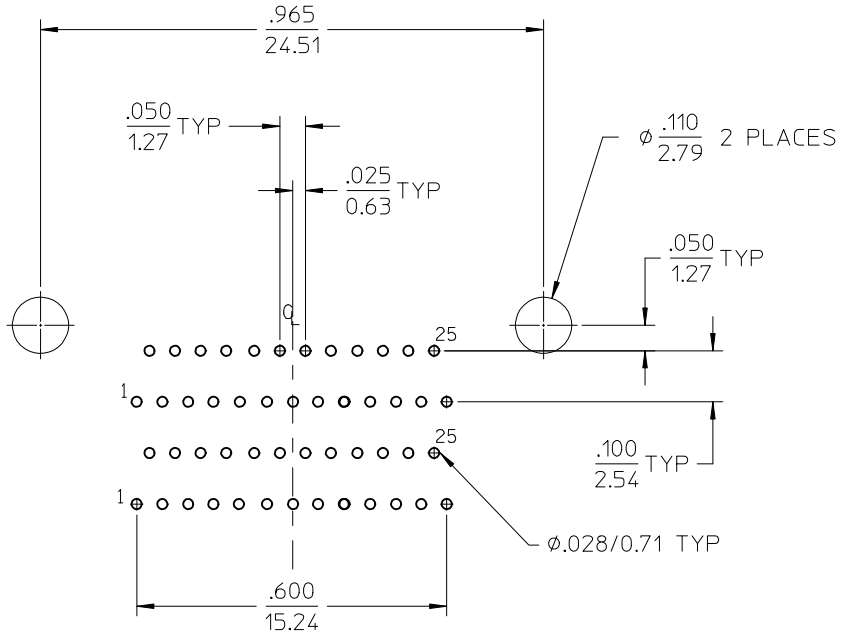
**RECOMMENDED  
PANEL CUT-OUT**

<b>REMOVE JACKPOST</b> EC NO: IFC2017-0765 DRAWN: BRUPERT 2017/02/09 CHKD: APPR: WLEUNG 2017/04/28 REV B	QUALITY SYMBOLS ▽=0 ▽=0	GENERAL TOLERANCES (UNLESS SPECIFIED)		DIMENSION STYLE IN/MM		SCALE 1:1	DESIGN UNITS INCH	THIRD ANGLE PROJECTION	
			mm      INCH	DRAWN BY JLOMASTR	DATE 06/04/17	TITLE COMMERCIAL MICRO D DUAL STACK SIZE 25/50 WITHOUT JACKPOSTS			
			4 PLACES ± --- ± --- 3 PLACES ± --- ± .010 2 PLACES ± 0.25 ± .01 1 PLACE ± 0.25 ± ---	CHECKED BY RDEROSS	DATE 06/04/17				
			ANGULAR ± 1/2°	APPROVED BY RDEROSS	DATE 06/04/17	MOLEX INCORPORATED			
DRAFT WHERE APPLICABLE MUST REMAIN WITHIN DIMENSIONS			MATERIAL NO. 836199202	DOCUMENT NO. SD-83619-013	SHEET NO. 2 OF 2				

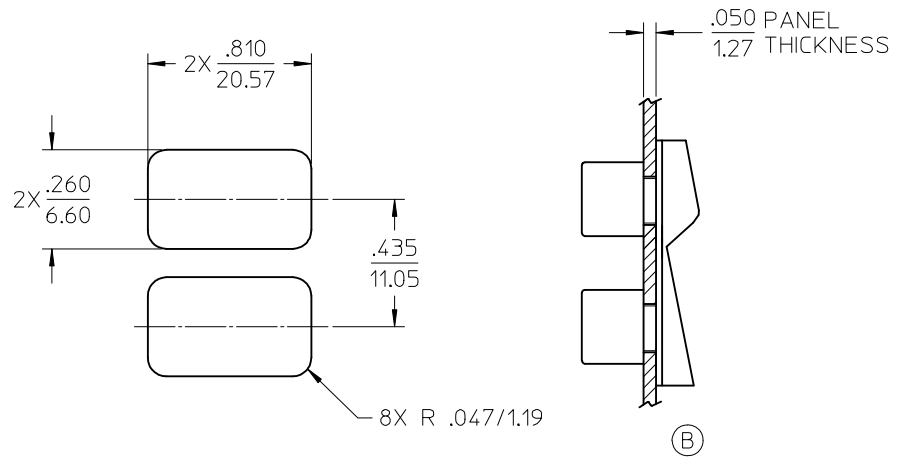


1. MARKING: NONE
2. SEE SHEET 2 FOR PCB LAYOUT AND PANEL CUT-OUT DIMENSIONS.
3. PART IS RoHS COMPLIANT

REMOVE JACKPOST EC NO: IPG2017-0765 DR: MNRUPERT 2017/02/09 CHKD: APPR: WJLUNG 2017/04/28	DESCRIPTION REMOVE JACKPOST	QUALITY SYMBOLS	GENERAL TOLERANCES (UNLESS SPECIFIED)	DIMENSION STYLE IN/MM	SCALE NONE	DESIGN UNITS INCH	THIRD ANGLE PROJECTION	
		▽=0	mm INCH	DRAWN BY DATE JLOMASTR 06/04/17	TITLE COMMERCIAL MICRO D DUAL STACK SIZE 25/50 WITHOUT JACKPOSTS	Molex MOLEX INCORPORATED	DOCUMENT NO. SD-83619-013	SHEET NO. 1 OF 2
		▽=0	4 PLACES ± --- ± ---	CHECKED BY DATE RDEROSS 06/04/17				
			3 PLACES ± --- ± .010	APPROVED BY DATE RDEROSS 06/04/17				
	2 PLACES ± 0.25 ± .01	MATERIAL NO. 836199202						
		1 PLACE ± 0.25 ± ---	DRAFT WHERE APPLICABLE MUST REMAIN WITHIN DIMENSIONS		THIS DRAWING CONTAINS INFORMATION THAT IS PROPRIETARY TO MOLEX INCORPORATED AND SHOULD NOT BE USED WITHOUT WRITTEN PERMISSION			
		ANGULAR ±1/2°						



**RECOMMENDED  
P.C.B. LAY-OUT  
SOLDER SIDE**



**RECOMMENDED  
PANEL CUT-OUT**

<b>REMOVE JACKPOST</b> EC NO: IFC2017-0765 DRAWN: BRUPERT 2017/02/09 CHKD: APPR: WLEUNG 2017/04/28 REV B	QUALITY SYMBOLS ▽=0 ▽=0	GENERAL TOLERANCES (UNLESS SPECIFIED)		DIMENSION STYLE IN/MM		SCALE 1:1	DESIGN UNITS INCH	THIRD ANGLE PROJECTION		
			mm	INCH	DRAWN BY JLOMASTR	DATE 06/04/17	TITLE COMMERCIAL MICRO D DUAL STACK SIZE 25/50 WITHOUT JACKPOSTS			
			4 PLACES ± ---	± ---	CHECKED BY RDEROSS	DATE 06/04/17				
			3 PLACES ± ---	± .010	APPROVED BY RDEROSS	DATE 06/04/17	MOLEX INCORPORATED DOCUMENT NO. SD-83619-013 SHEET NO. 2 OF 2			
		2 PLACES ± 0.25	± .01	MATERIAL NO. 836199202						
		1 PLACE ± 0.25	± ---	DRAFT WHERE APPLICABLE MUST REMAIN WITHIN DIMENSIONS		THIS DRAWING CONTAINS INFORMATION THAT IS PROPRIETARY TO MOLEX INCORPORATED AND SHOULD NOT BE USED WITHOUT WRITTEN PERMISSION				