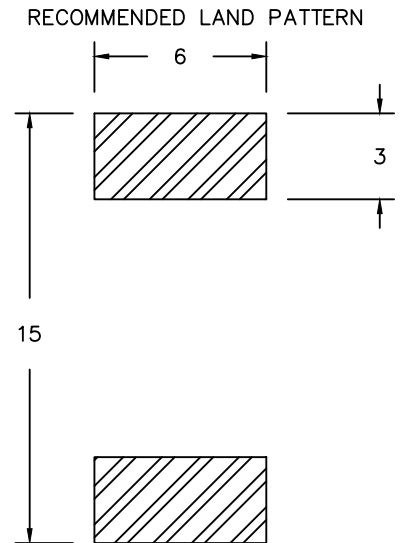
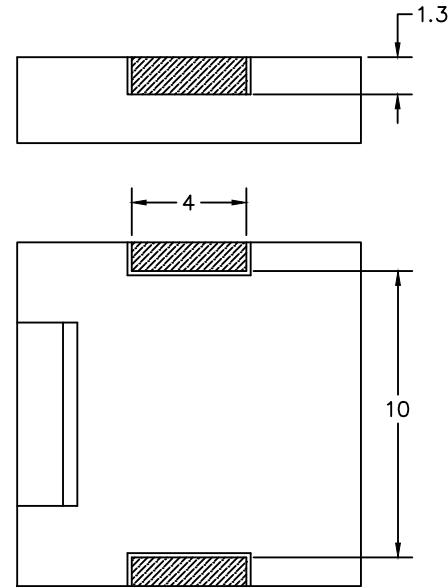
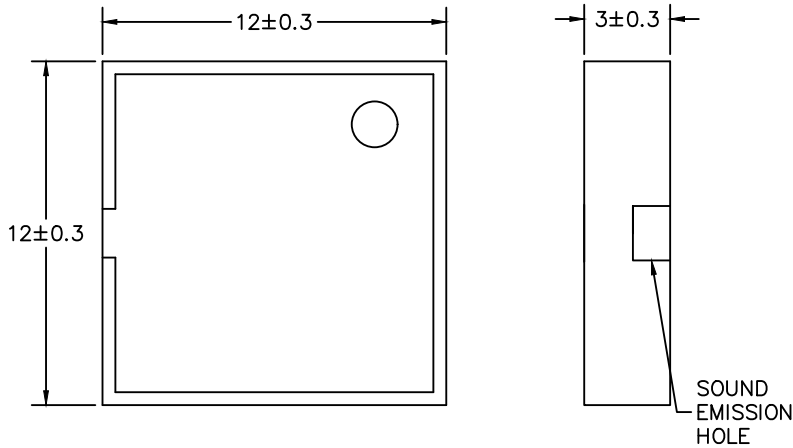


THIS DOCUMENT CONTAINS DATA PROPRIETARY TO PROJECTS UNLIMITED, INC. ANY USE OR REPRODUCTION, IN ANY FORM, WITHOUT PRIOR WRITTEN PERMISSION OF PROJECTS UNLIMITED, INC. IS PROHIBITED.
© 2005, Projects Unlimited Inc.

SPECIFICATIONS

PARAMETERS	VALUES	UNITS
RATED VOLTAGE	3	V _{p-p}
OPERATING VOLTAGE RANGE	1 ~ 25	V _{p-p}
RATED CURRENT (at 3V and 4 kHz)	3	mA
CAPACITANCE	16,000±30%	pF
MINIMUM SPL @ 10 CM	75	dBA
RESONANT FREQUENCY	4,000±500	Hz
OPERATING TEMPERATURE	-40 ~ +85	°C
STORAGE TEMPERATURE	-40 ~ +85	°C
HOUSING MATERIAL	LCP	-
WEIGHT	0.3	grams


REVISIONS			
LTR	DESCRIPTION	DATE	APPROVED
-	RELEASED FROM ENGINEERING	8/11/17	



NOTES:

- ALL DIMENSIONS ARE IN MILLIMETERS.
- SPECIFICATION SUBJECT TO CHANGE OR WITHDRAWAL WITHOUT NOTICE.
- THIS PART IS RoHS 2011/65/EU COMPLIANT

FILE NAME
SMTB-1240-S-R.DWG

UNLESS OTHERWISE SPECIFIED: DIMENSIONS ARE IN MILLIMETERS. TOLERANCES ARE ±0.5 AND ANGLES ARE ±3°.		 a projects unlimited company		3541 Stop Eight Road Dayton, Ohio 45414	
APPROVALS		DATE		TRANSDUCER (PIEZO) DRAWING NO. SMTB-1240-S-R	
DRAWN	M.V.	8/17			
CHECKED	M.V.	8/17			
APPROVED	B.R.	8/17		SCALE: N.T.S.	SHEET 1 OF 1