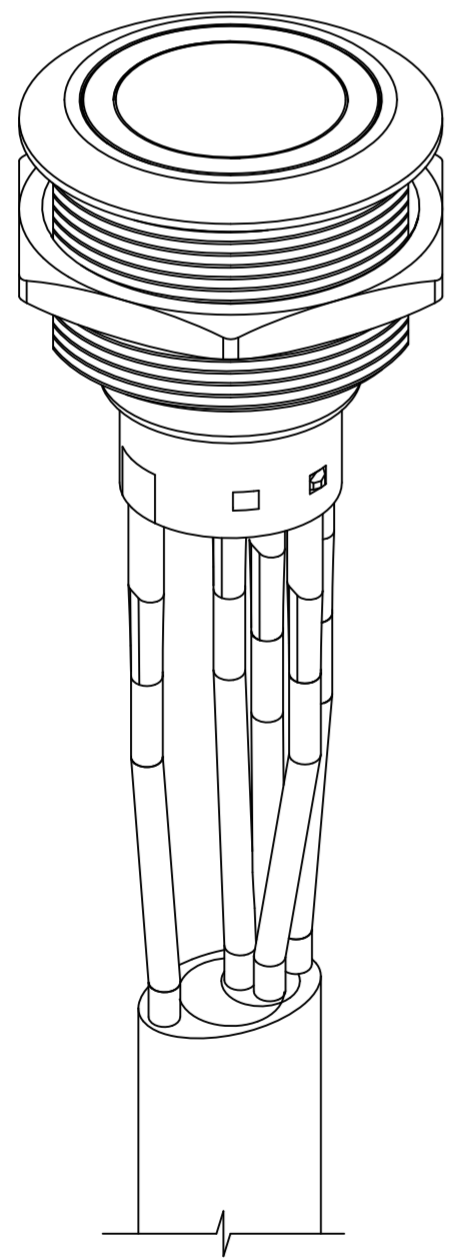
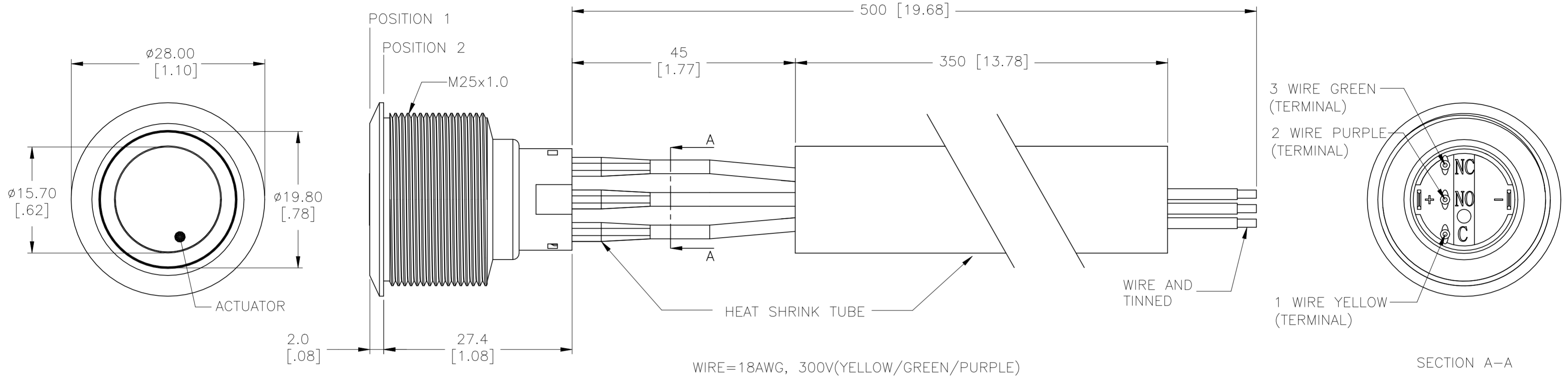


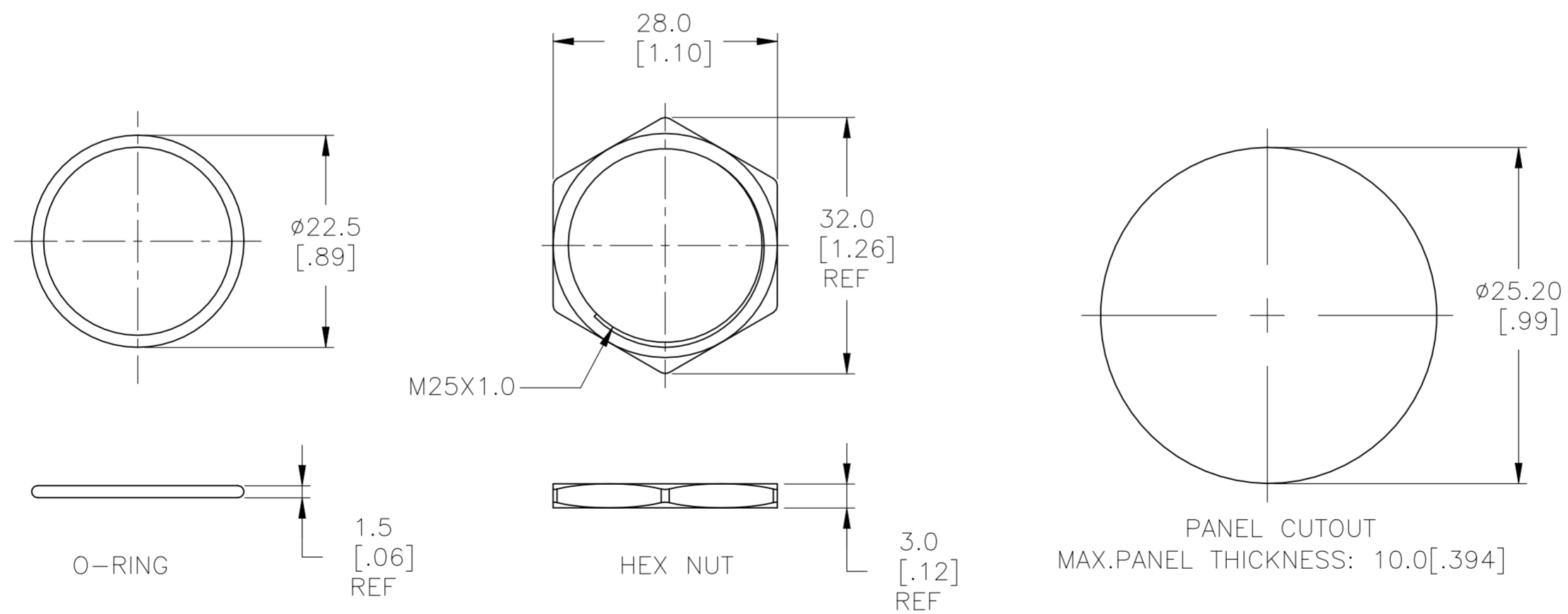
THIS DRAWING IS UNPUBLISHED. RELEASED FOR PUBLICATION
 © COPYRIGHT - By - ALL RIGHTS RESERVED.

REVISIONS					
P	LTR	DESCRIPTION	DATE	DWN	APVD
A1		ECO-21-006709	18JUN2021	RK	AS

SINGLE POLE SWITCH WITH NO LED AND WITH FLYING LEADS



ASSEMBLED VIEW

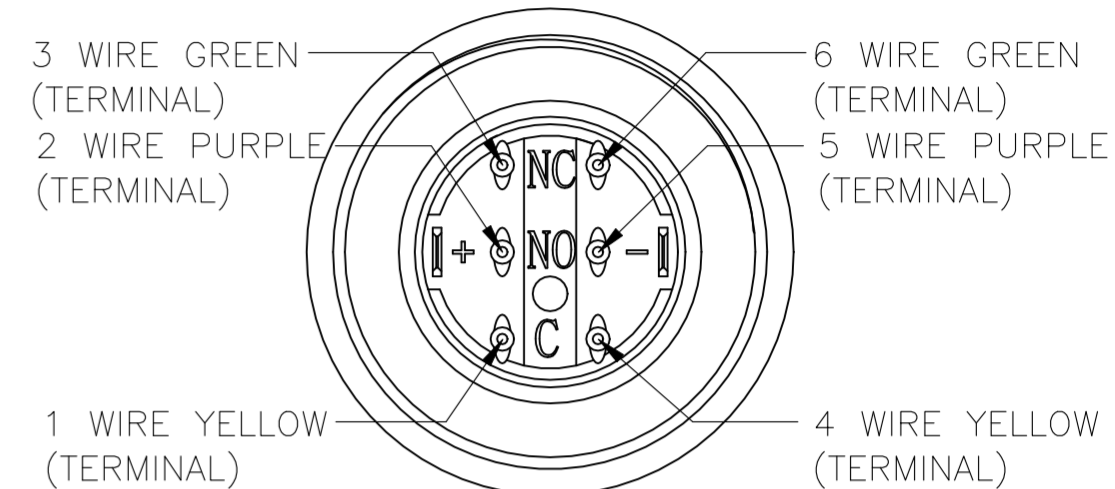
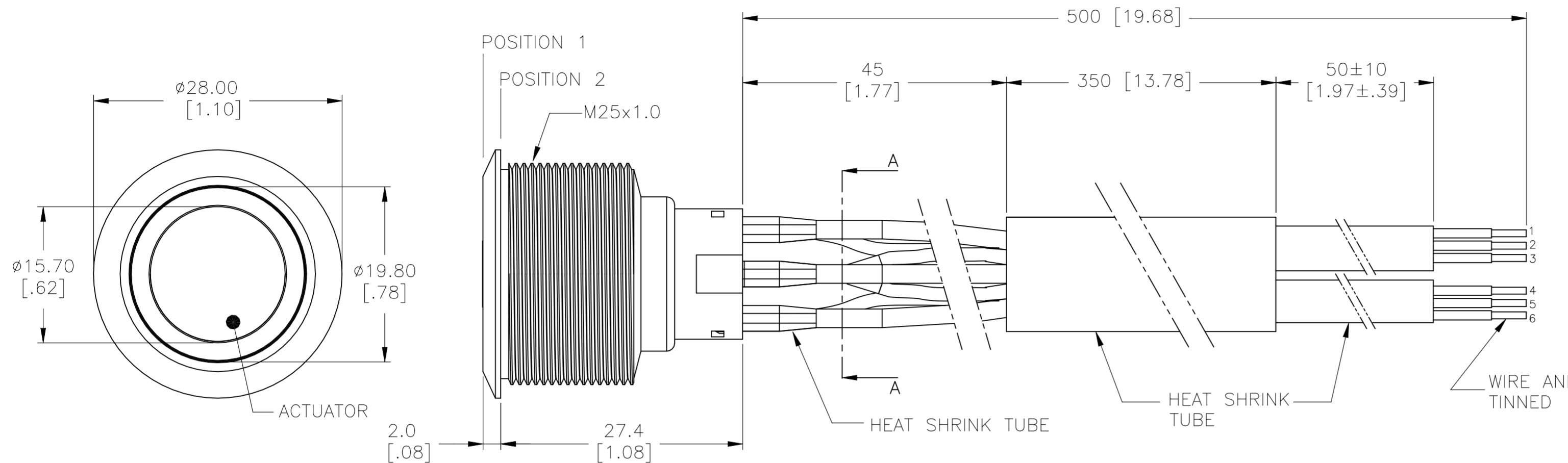


THIS DRAWING IS A CONTROLLED DOCUMENT.		DWN	16MAR2017		
		CHK	16MAR2017		
		APVD	16MAR2017		
		PRODUCT SPEC			
DIMENSIONS:		TOLERANCES UNLESS OTHERWISE SPECIFIED:		NAME	
mm [INCHES]		0 PLC ± -		ANTI-VANDAL SWITCH 25mm, NO LED AND FLYING LEADS	
		1 PLC ± 0.4[.016]		SIZE	
		2 PLC ± 0.25[.010]		CAGE CODE	
		3 PLC ± -		DRAWING NO	
		4 PLC ± -		RESTRICTED TO	
		ANGLES ± 2°		SCALE	
MATERIAL		FINISH		SHEET	
				1 OF 3	
				REV	
				A1	
				CUSTOMER DRAWING	

THIS DRAWING IS UNPUBLISHED. RELEASED FOR PUBLICATION
 © COPYRIGHT - By - ALL RIGHTS RESERVED.

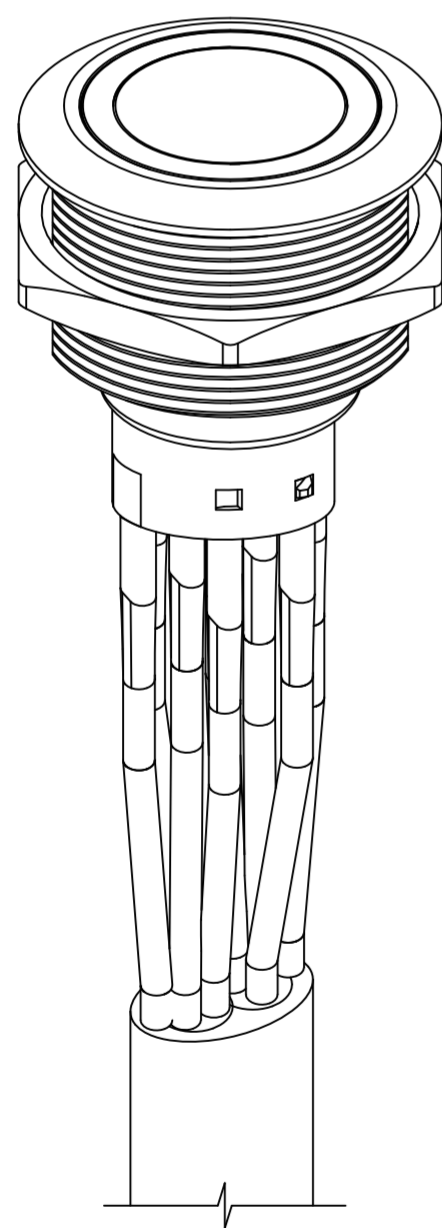
REVISIONS					
P	LTR	DESCRIPTION	DATE	DWN	APVD
-	-	SEE SHEET 1	-	-	-

DOUBLE POLE SWITCH WITH NO LED AND WITH FLYING LEADS

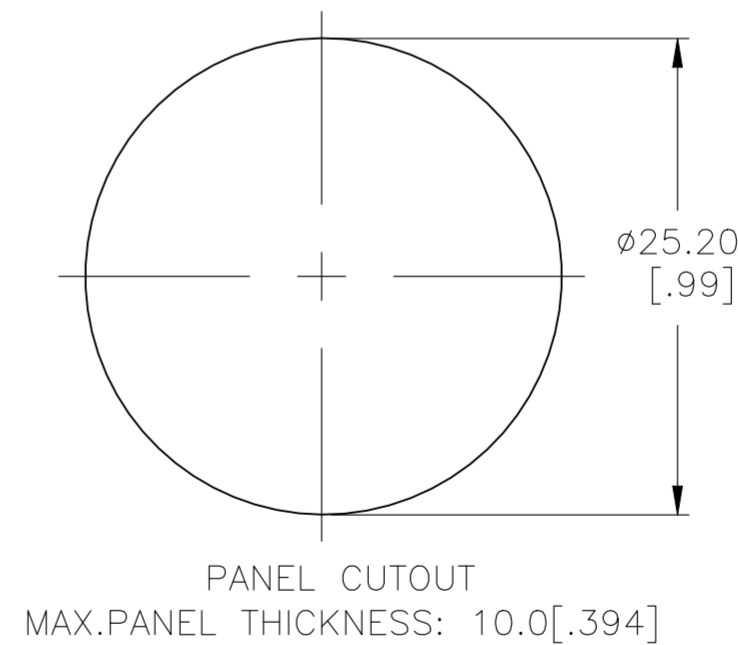
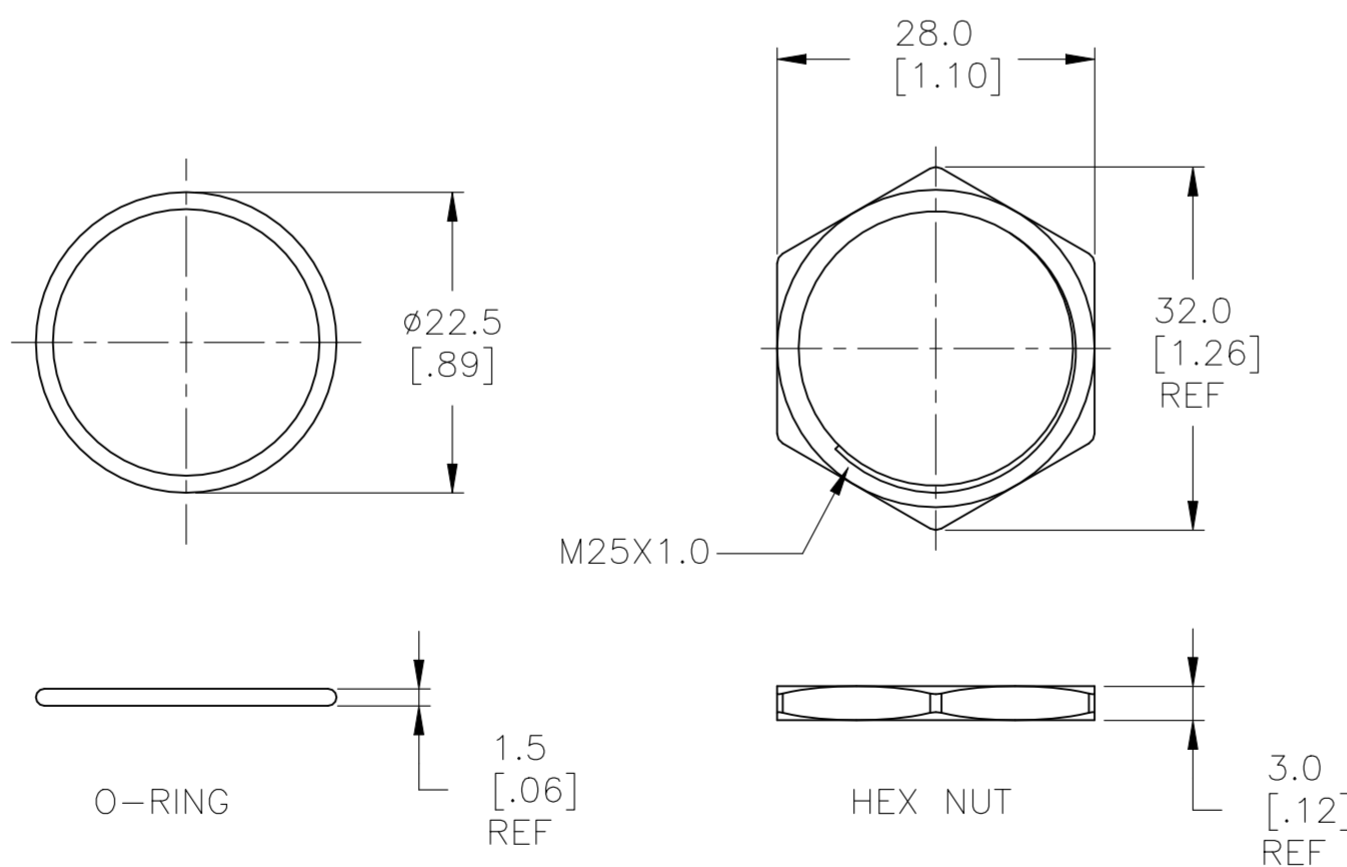


SECTION A-A

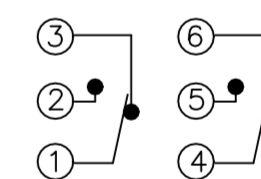
WIRE=18AWG, 300V(YELLOW/GREEN/PURPLE)



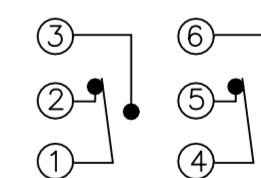
ASSEMBLED VIEW



POSITION 1



POSITION 2



THIS DRAWING IS A CONTROLLED DOCUMENT.		DWN SHIVAKUMAR S S	16MAR2017		
DIMENSIONS: mm [INCHES]		CHK SANJAY SHINDIKAR	16MAR2017		
TOLERANCES UNLESS OTHERWISE SPECIFIED:		APVD SANJAY SHINDIKAR	16MAR2017		
0 PLC ± -		PRODUCT SPEC	NAME		
1 PLC ± 0.4[.016]		APPLICATION SPEC	ANTI-VANDAL SWITCH 25mm, NO LED AND FLYING LEADS		
2 PLC ± 0.25[.010]		WEIGHT	0	SIZE	A2
3 PLC ± -		CUSTOMER DRAWING	00779	CAGE CODE	C=2317655
4 PLC ± -		SCALE	1:1	DRAWING NO	2317655
ANGLES ± 2°		SHEET	2	RESTRICTED TO	-
FINISH		REV	A1		

THIS DRAWING IS UNPUBLISHED. RELEASED FOR PUBLICATION
 © COPYRIGHT - By - ALL RIGHTS RESERVED.

REVISIONS					
P	LTR	DESCRIPTION	DATE	DWN	APVD
-	-	SEE SHEET 1	-	-	-

SPECIFICATION:

CONTACT RATING: SILVER; 3A @ 250VAC RESISTIVE
 GOLD; 0.4A @ 20VDC OR PEAK AC
 INSULATION RESISTANCE: 1,000MΩ MIN AT 500VDC
 DIELECTRIC STRENGTH: 2,000V RMS @ SEA LEVEL
 CONTACT RESISTANCE: 50mΩ MAX @ 1A 12VDC (INITIAL VALUE), SOLDER TERMINALS
 100mΩ MAX @ 1A 12VDC(INITIAL VALUES), FLYING LEADS.
 ELECTRICAL LIFE CYCLES: 50,000 MAKE AND BREAK CYCLES AT FULL LOAD.
 ACTUATION FORCE: SP: 2.5±1 N. DP: 3.5±1 N
 ACTUATION TRAVEL: APPROXIMATELY 3.2mm
 SEALED PER IP67, IK08
 OPERATING TEMPERATURE: -20°C TO +55°C
 MECHANICAL LIFECYCLES: MOMENTARY; 1,000,000 CYCLES
 LOCKING; 500,000 CYCLES
 HARDWARE TORQUE: 5-14 N-m.

MATERIALS

BUSHING: STAINLESS STEEL,
 BASE: PBT (UL 94-V0), PC (UL 94-V2),
 ACTUATOR: STAINLESS STEEL, PC
 O-RING: SILICONE,
 TERMINAL/CONTACT: COPPER BASE, SILVER/GOLD PLATED,
 HEX NUT: BRASS BASE, NICKEL PLATED,
 WIRE:UL3385.
 INNER ASSEMBLY: POM/PA66
 SPRING: SPRING STEEL
 SEALING: SILICONE

- ALL MATERIAL AND FINISHES SHALL COMPLY WITH EU DIRECTIVE 2002/95/EC OF 27JAN2003(ROHS).

SILVER	FLYING LEADS TERMINALS	DOUBLE POLE -- LOCKING	-	-	AV2521000T5Q04	2317655-4
		DOUBLE POLE -- MOMENTARY	-	-	AV2520000T5Q04	2317655-3
		SINGLE POLE -- LOCKING	-	-	AV2511000T5Q04	2317655-2
		SINGLE POLE -- MOMENTARY	-	-	AV2510000T5Q04	2317655-1
CONTACT FINISH	TERMINAL OPTION	POLE/THROW	LED COLOR	LED VOLTAGE	TE DESCRIPTIVE PART NUMBER	TE PART NUMBER

THIS DRAWING IS A CONTROLLED DOCUMENT.		DWN 16MAR2017 SHIVAKUMAR S S	STE TE Connectivity			
DIMENSIONS: mm [INCHES]		CHK 16MAR2017 SANJAY SHINDIKAR				
TOLERANCES UNLESS OTHERWISE SPECIFIED:		APVD 16MAR2017 SANJAY SHINDIKAR	NAME ANTI-VANDAL SWITCH 25mm, NO LED AND FLYING LEADS			
0 PLC ± - 1 PLC ± 0.4[.016] 2 PLC ± 0.25[.010] 3 PLC ± - 4 PLC ± - ANGLES ± 2'		PRODUCT SPEC -	RESTRICTED TO -			
MATERIAL -		FINISH -	WEIGHT 0	SIZE A2	CAGE CODE 00779	DRAWING NO C=2317655
CUSTOMER DRAWING			SCALE 1:1	SHEET 3 of 3	REV A1	