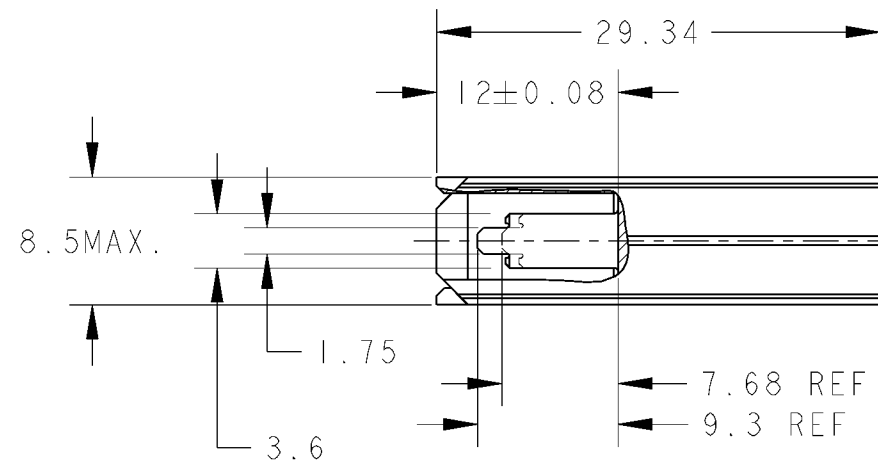
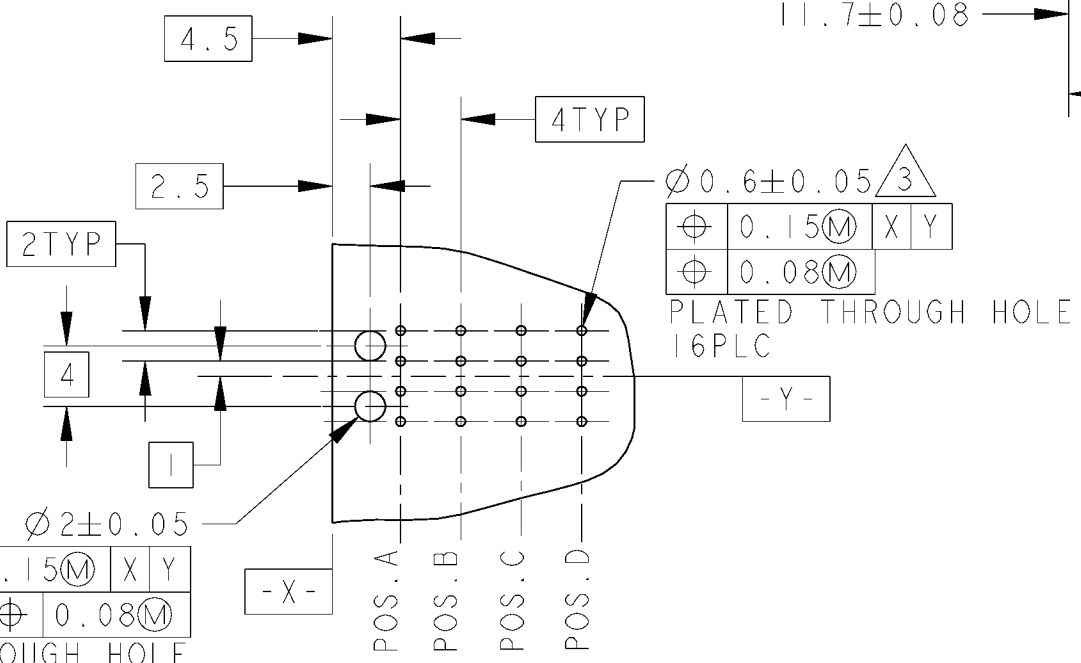
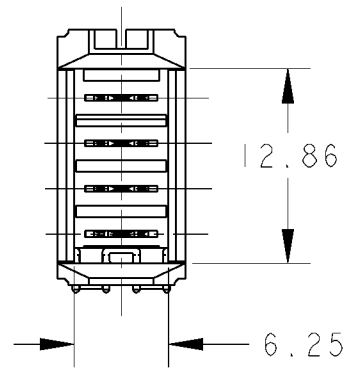
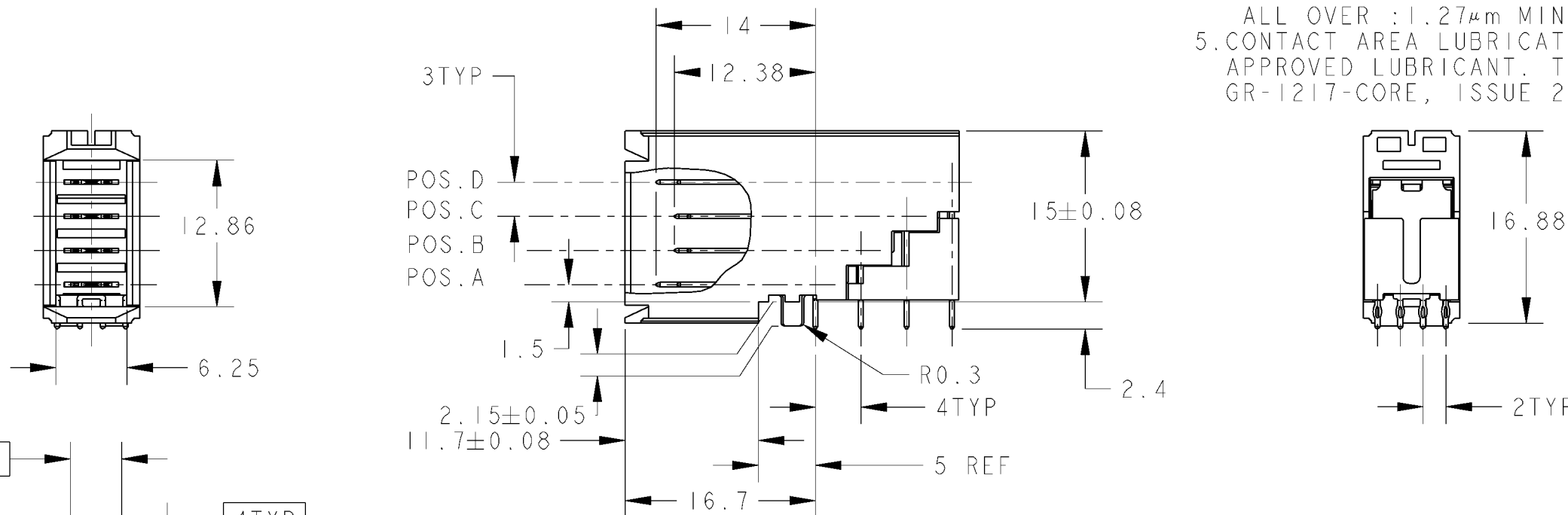


LOC	DIST	REVISIONS					
		P	LTR	DESCRIPTION	DATE	DWN	APVD
J	-	C	REVISED	ECR-11-016856	15AUG2011	K.M	E.T



- 1 MATERIAL  
CONTACT: COPPER ALLOY  
HOUSING: THERMOPLASTIC
- 2 FINISH  
CONTACT MATING AREA: 0.76μm MIN. GOLD PLATE  
EON AREA: 0.5μm MIN. TIN PLATE  
ALL OVER: 1.27μm MIN. NICKEL PLATE
- 3 TYPICAL HOLE DETAIL;  
DRILLED HOLE=Ø0.7±0.02  
COPPER THICKNESS=0.035 TO 0.065
- 4 FINISH  
CONTACT MATING AREA: 0.76μm MIN. GOLD PLATE  
EON AREA: 0.5μm MIN. BRIGHT TIN-LEAD PLATE  
ALL OVER: 1.27μm MIN. NICKEL PLATE
- 5. CONTACT AREA LUBRICATED WITH BELLCORE APPROVED LUBRICANT. TECHNICAL REFERENCE: GR-1217-CORE, ISSUE 2, DECEMBER 2008.



FINISH	POSITIONS LOADED WITH 9.3 REF CONTACTS	POSITIONS LOADED WITH 7.68 REF CONTACTS	P/N
4	A, D	B, C	2-1903977-1
2	A, D	B, C	1903977-1

THIS DRAWING IS A CONTROLLED DOCUMENT.

DWN	T. KATANO	21NOV06
CHK	K. IKEGAMI	21NOV06
APVD	K. IKEGAMI	21NOV06
PRODUCT SPEC	108-78387	
APPLICATION SPEC		
WEIGHT	-	

**STE** TE Connectivity

NAME: SLIM UNIVERSAL POWER MODULE 4POS. RIGHT ANGLE HEADER ASSEMBLY

SIZE	CAGE CODE	DRAWING NO	RESTRICTED TO
A3	-	C=1903977	-

CUSTOMER DRAWING SCALE 2:1 SHEET 1 OF 1 REV C