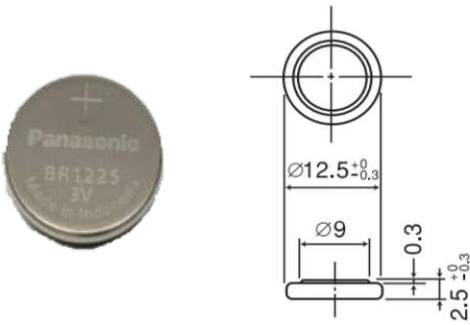


# BR1225

## BR Coin-type Lithium Battery



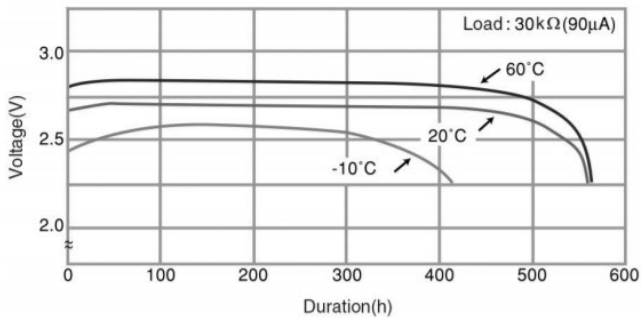
### Features & Benefits

- BR series batteries developed with exclusive Panasonic technology
- Exhibits stable performance after long periods in storage due to low self-discharge characteristics
- Primarily used for memory-backup power in low-drain applications

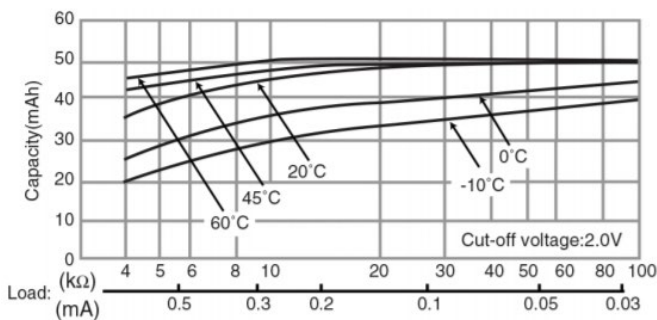
### Applications

Commercial equipment(communication/measurement devices), electricity meters, memory backup(security cameras, security sensors), automotive electronic components(ETC), etc.

#### Discharge temperature characteristics



#### Capacity vs. load resistance



### Specifications

<b>Nominal voltage</b>		3V
<b>Nominal capacity</b>		48mAh
<b>Continuous drain</b>		0.03mA
<b>Dimensions*</b> 1	Diameter(Max.)	12.5mm
	Height(Max.)	2.5mm
<b>Weight*1</b>		Approx. 0.8g
<b>Operating temperature*2</b>		-30°C to +85°C

\*1 Without tabs.

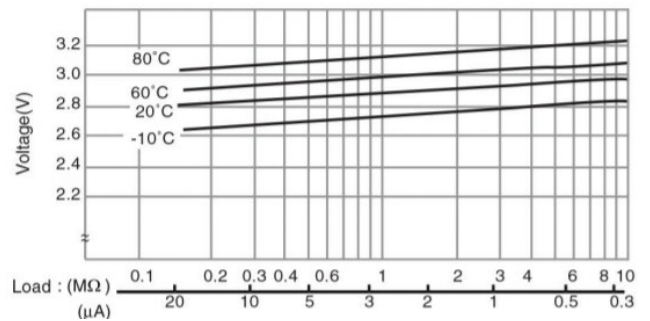
\*2 Please consult Panasonic when anticipating usage in operating temperatures of 80°C or above.

### Terminal types

Please see the documents for the terminal and lead wire settings.

- [Line up of tab terminal types\(by shape\)](#)
- [Line up of tab terminal types\(by product number\)](#)

#### Operating voltage vs. load resistance (voltage at 50% discharge depth)



**Panasonic Energy Co., Ltd.**

<https://industrial.panasonic.com/ww/products/pt/lithium-batteries>

As of April, 2022. Panasonic offers batteries with tabs or lead wires. This data in this document is for descriptive purposes only and is not intended to make or imply any guarantee or warranty. The contents of this product information are subject to change without notice.

