

THIS DRAWING IS UNPUBLISHED. RELEASED FOR PUBLICATION AUGUST, 2006.

© COPYRIGHT 2006 By - ALL RIGHTS RESERVED.

LOC	DIST	REVISIONS					
E	B	P	LTR	DESCRIPTION	DATE	DWN	APVD
			D2	REVISED PER ECO-11-005033	01APR11	RK	HMR

NOTES

1 SINGLE PACK IN ACCORDANCE WITH AMP SPEC 107-3275

2 50 TRAY PACK IN ACCORDANCE WITH AMP SPEC 107-3275

3 Au PLATING

4 Ni PLATING

5 HAND TOOL: 9-1478240-0

6 DIE SET: 9-1478242-0

7 ELECTRICAL CHARACTERISTICS

FREQUENCY RANGE:	DC - 2 GHz
NOMINAL IMPEDANCE:	50 Ohm
INSULATION RESISTANCE:	5000 MOhm
WORKING VOLTAGE:	500 Volts RMS at Sea Level
DIELECTRIC WITHSTAND VOLTAGE:	1000 Volts RMS Max
CONTACT RESISTANCE:	
CENTRE CONTACT:	10.00 mOhm Max
OUTER CONTACT:	5.00 mOhm Max
VSWR @ 1.8GHz:	1.30:1 Max
INSERTION LOSS dB @ x 1.8 GHz:	0.50 Max

8 MECHANICAL CHARACTERISTICS

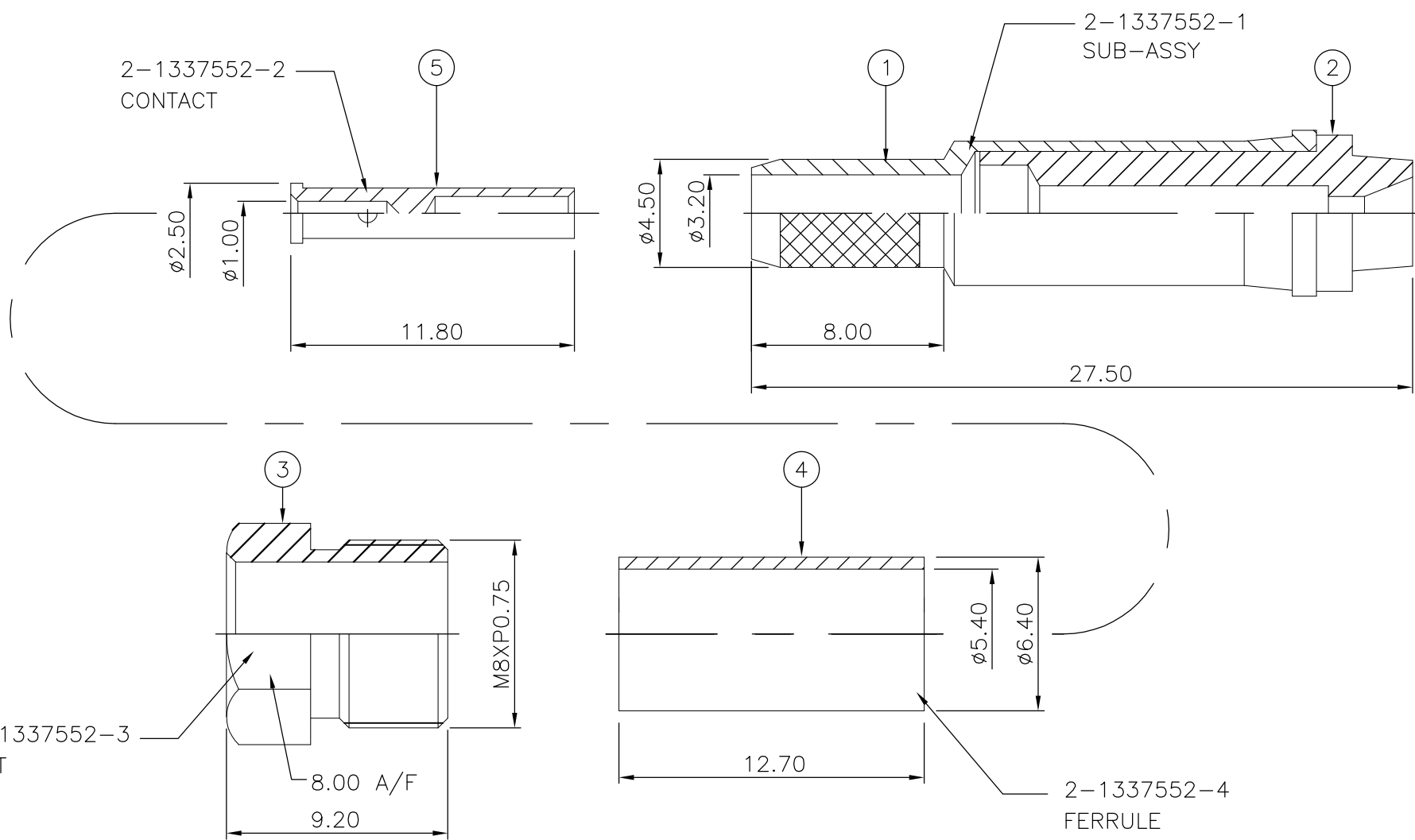
CABLE RETENTION FORCE:	
RG58C/U, 141A/U, URM43, 76:	170N Min
RG174A/U, 188A/U, 316/U, URM95:	85N Min
DURABILITY:	500 Cycles Min
CLAMP NUT TORQUE SETTING:	0.9Nm

9 ENVIRONMENTAL CHARACTERISTICS

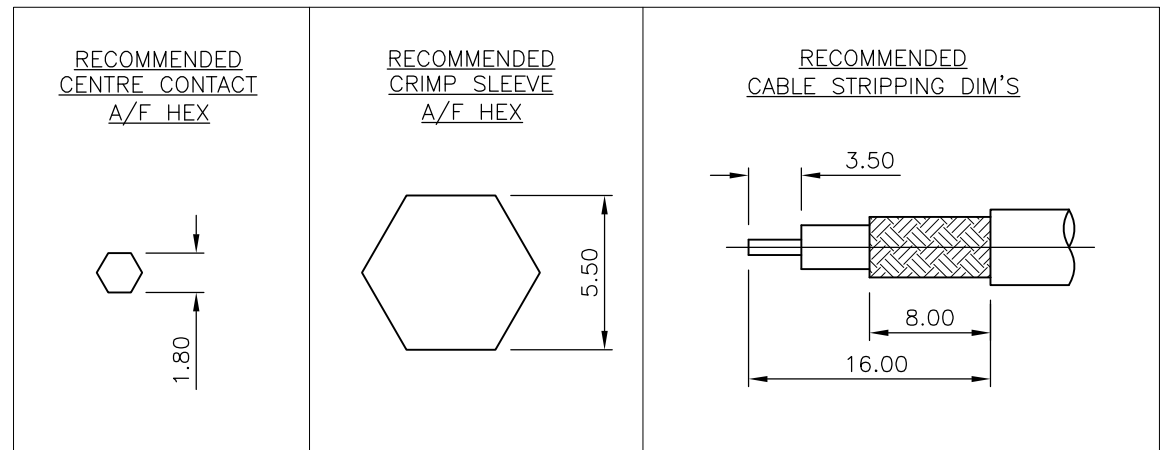
OPERATING TEMPERATURE: -55 to +85 DegC

10 FOR TECHNICAL DATA REFER TO YOUR LOCAL TE CONNECTIVITY SALES OFFICE

11 ALL DIMENSIONS ARE NOMINAL FOR REFERENCE ONLY UNLESS OTHERWISE STATED



QTY	UNIT	MATERIAL	DESCRIPTION	ITEM
1	1	BRASS	CONTACT	5
1	1	BRASS	FERRULE	4
1	1	BRASS	NUT	3
1	1	PTFE	INSULATION	2
1	1	BRASS	BODY	1
6--0	1--0	MATERIAL	DESCRIPTION	ITEM



THIS DRAWING IS A CONTROLLED DOCUMENT.

DWN J.SANDWELL 25AUG06
CHK S.PARLOW 25AUG06
APVD F.WHEELER-KING 25AUG06

STE TE Connectivity

FME STRAIGHT JACK CRIMP 50 OHM
RG58C/U, 141A/U, URM43, 76, Belden 9907, KX15

SIZE A3 CAGE CODE 00779 DRAWING NO C-1337552 RESTRICTED TO -

MATERIAL SEE TABLE FINISH SEE TABLE WEIGHT -

CUSTOMER DRAWING SCALE NTS SHEET 1 OF 1 REV D2