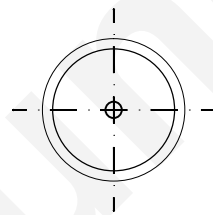
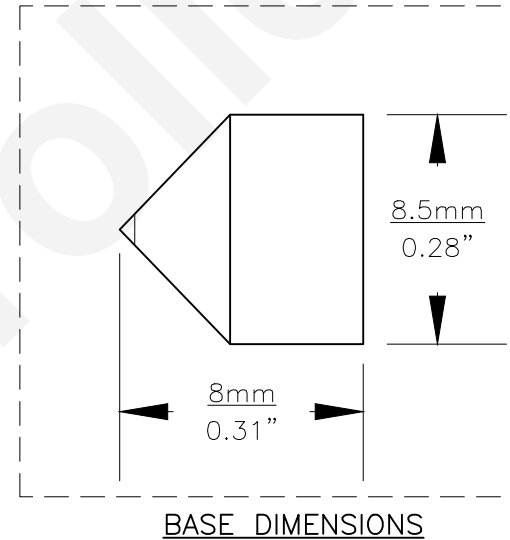
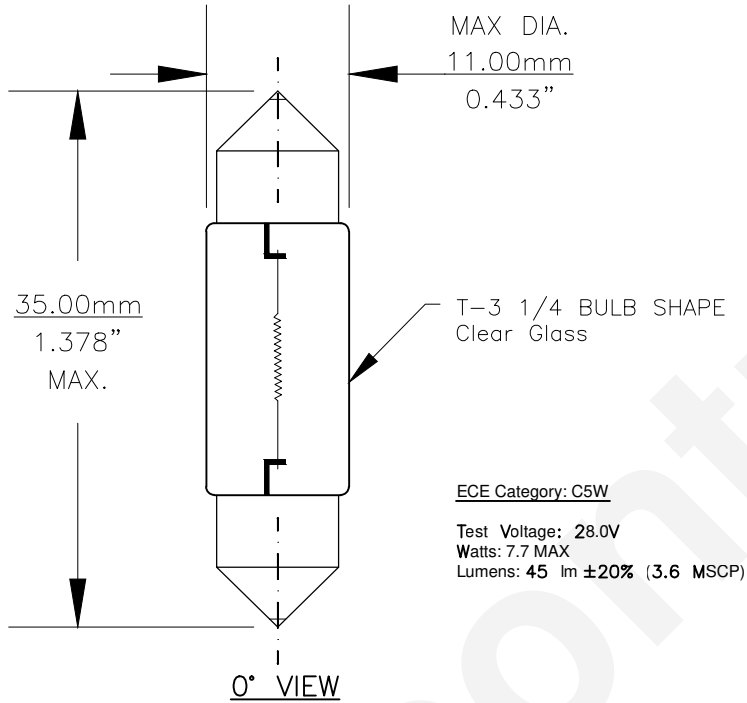




PART NO.	BASE TYPE	DESIGN VOLTS	DESIGN AMPS	MSCD	FILAMENT TYPE	AVERAGE LIFE HOURS	REVISIONS			
							REV #	DESCRIPTION	DATE	APPROVED
6423	FESTOON CAP (SV8.5-8)	24.0V	0.20±15%	3.6±20%	C-8	300	1	ISSUED	05/21/2009	M.L.
							2	REDRAWN FOR ADDITIONAL VIEWS	08/29/2014	R.M.



Note: Made according to ECE/R37 specifications

UNLESS OTHERWISE SPECIFIED: DIMENSIONS ARE IN INCHES TOLERANCES		CEC INDUSTRIES LTD			
DECIMALS .XX ± .05		599 BOND STREET		LINDOLNSHIRE, IL 60069	
ANGULAR .XXX ± .010		TITLE LIGHT BULB NO. 6423 (C5W 24V)			
FRACTIONAL ±1/64		DATE 05/21/2009	SIZE A	DWG NO. 6423	REV 2
DRAWN MIN LIU	CHECKED	DESIGN	SCALE	PLOT SCALE	SHEET 1 OF 1
MATERIAL		FILE 6423.pdf	DRAWING NOT TO SCALE		