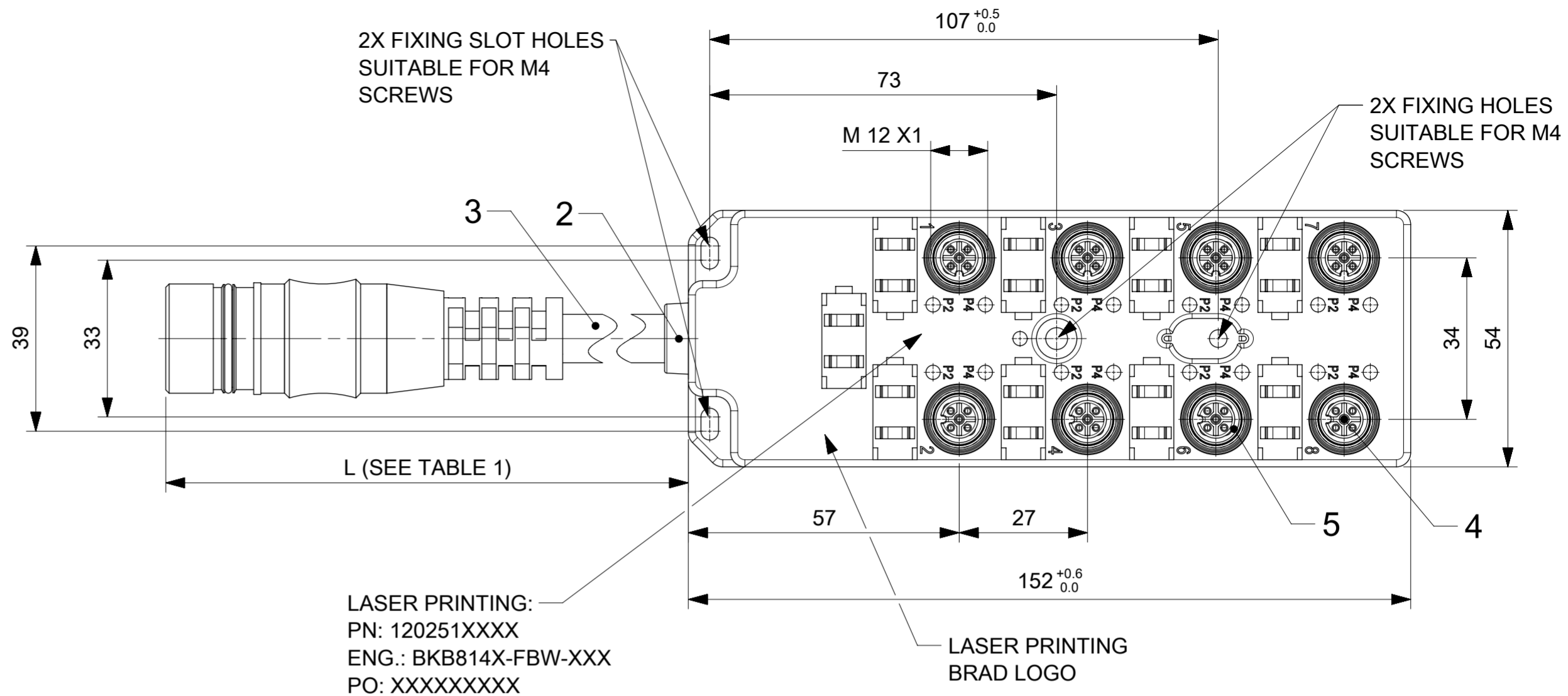


TABLE 1

MOLEX P/N	ENG. NO.	CABLE LENGTH (mm)	LED
1202510095	BKB814P-FBW-003	300	YES
1202510096	BKB814P-FBW-006	600	YES

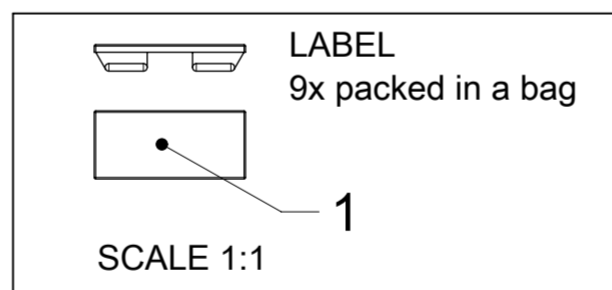
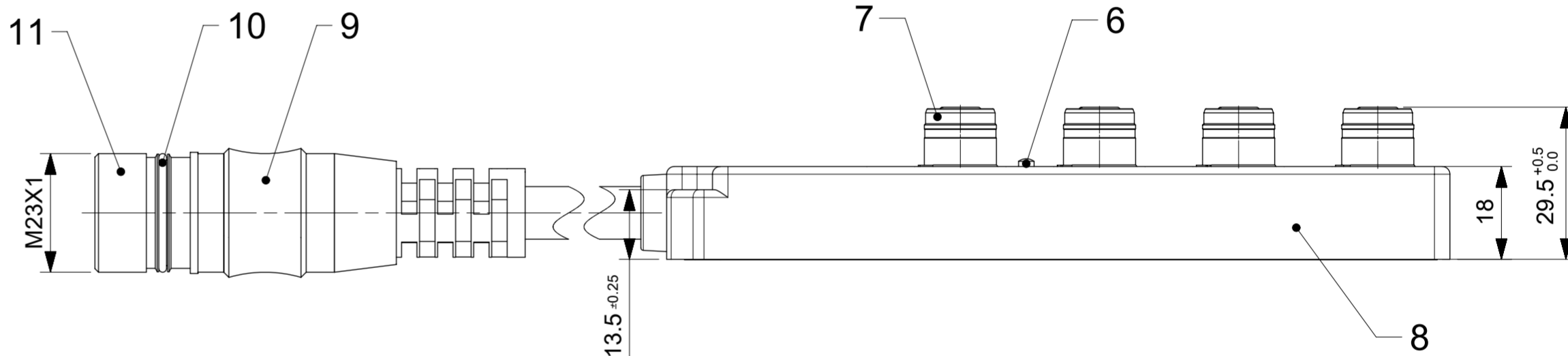
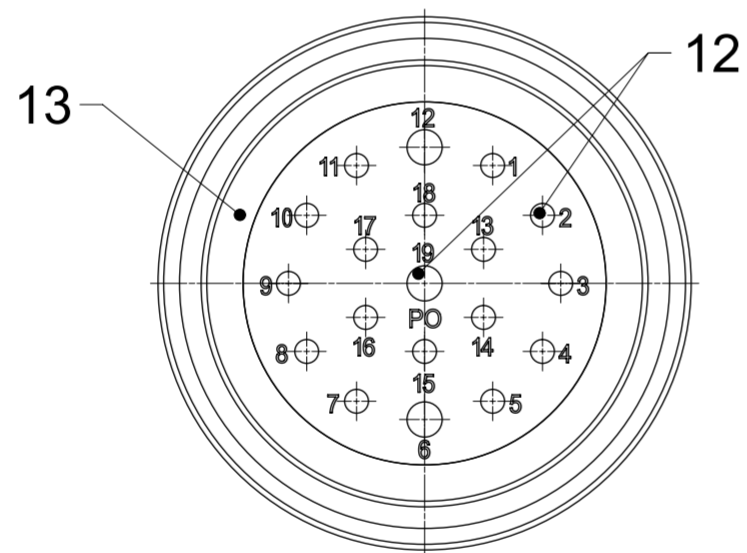
TABLE 2 BILL OF MATERIAL

ITEM	DESCRIPTION	MATERIAL	FINISH
1	LABEL	ABS	WHITE
2	CABLE PLATE	PBT	BLACK
3	CABLE	TPU BASED	BLACK
4	CONTACT	BRONZE	GOLD OVER NICKEL
5	O-RING	FPM	RED
6	LED	NON LED = PA	BLACK
		WITH LED = PA	TRANSPARENT
7	SHELL	BRASS	NICKEL PLATED
8	HOUSING	PBT	BLACK
9	OVERMOLD	PUR	BLACK
10	O-RING	NBR	BLACK
11	SHELL	BRASS	NICKEL PLATED
12	CONTACT	BRONZE	GOLD OVER NICKEL
13	O-RING	NBR	BLACK



PIN	COLOR
1	VIOLET
2	RED
3	GREY
4	RED/BLUE
5	GREEN
6	BLUE
7	GREY/PINK
8	WHITE/GREEN
9	WHITE/YELLOW
10	WHITE/GREY
11	BLACK
12	YELLOW/GREEN
13	YELLOW/BROWN
14	BROWN/GREEN
15	WHITE
16	YELLOW
17	PINK
18	GREY/BROWN
19	BROWN

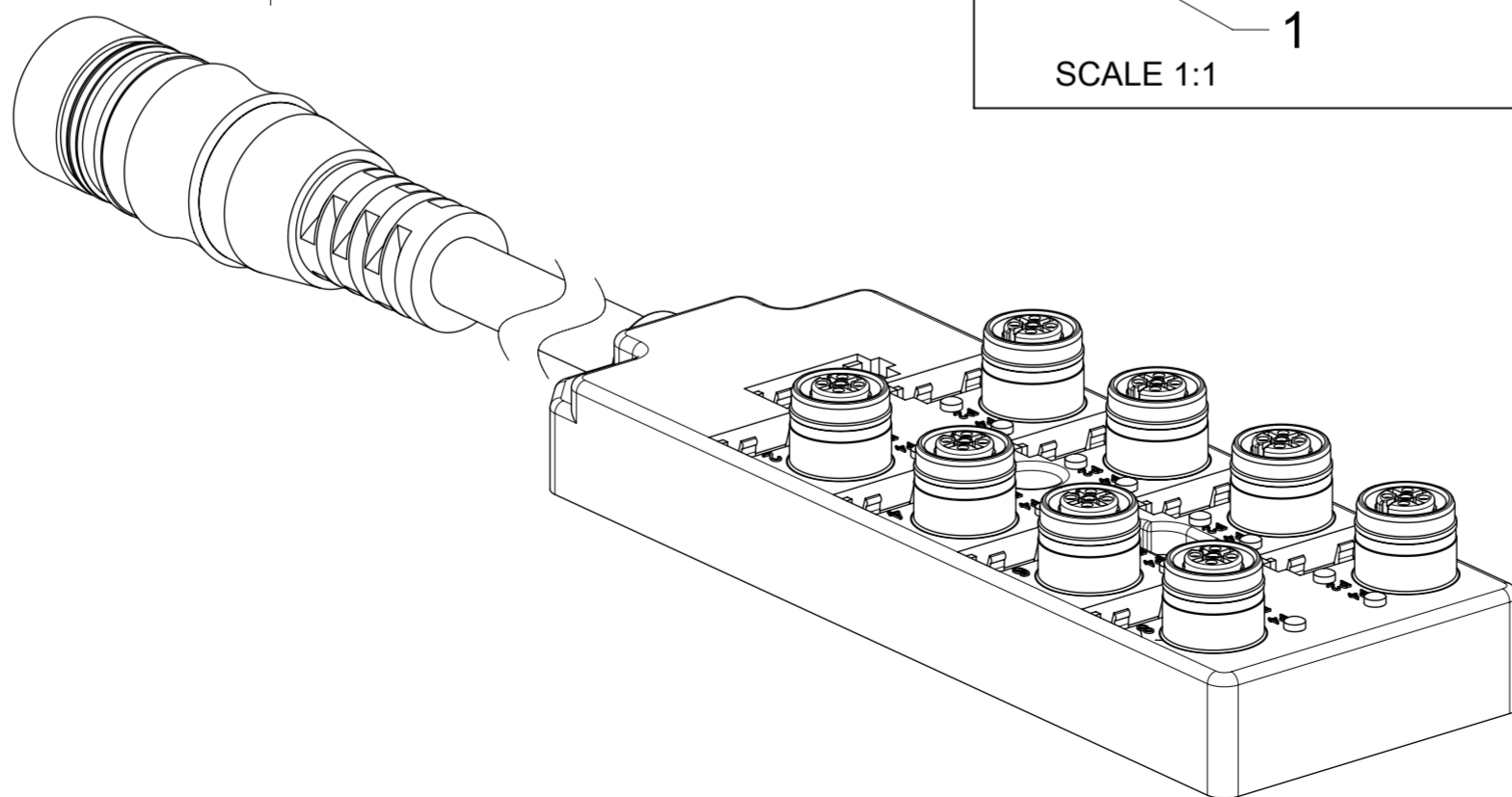
M23 19 POLE FRONT VIEW



GENERAL CHARACTERISTICS:

ELECTRICAL AND MECHANICAL DATA ACC. TO IEC 61076-2-101

NOMINAL VOLTAGE: 10-30 V DC  
 AMPERE RATING: 4 A PER PORT / 12 A MAX  
 AMPERE RATING WITH UL REGISTRATION: 3 A PER PORT / 9 A MAX  
 IP DEGREE OF PROTECTION: IP 67  
 TEMPERATURE RANGE: -25°C to + 85°C



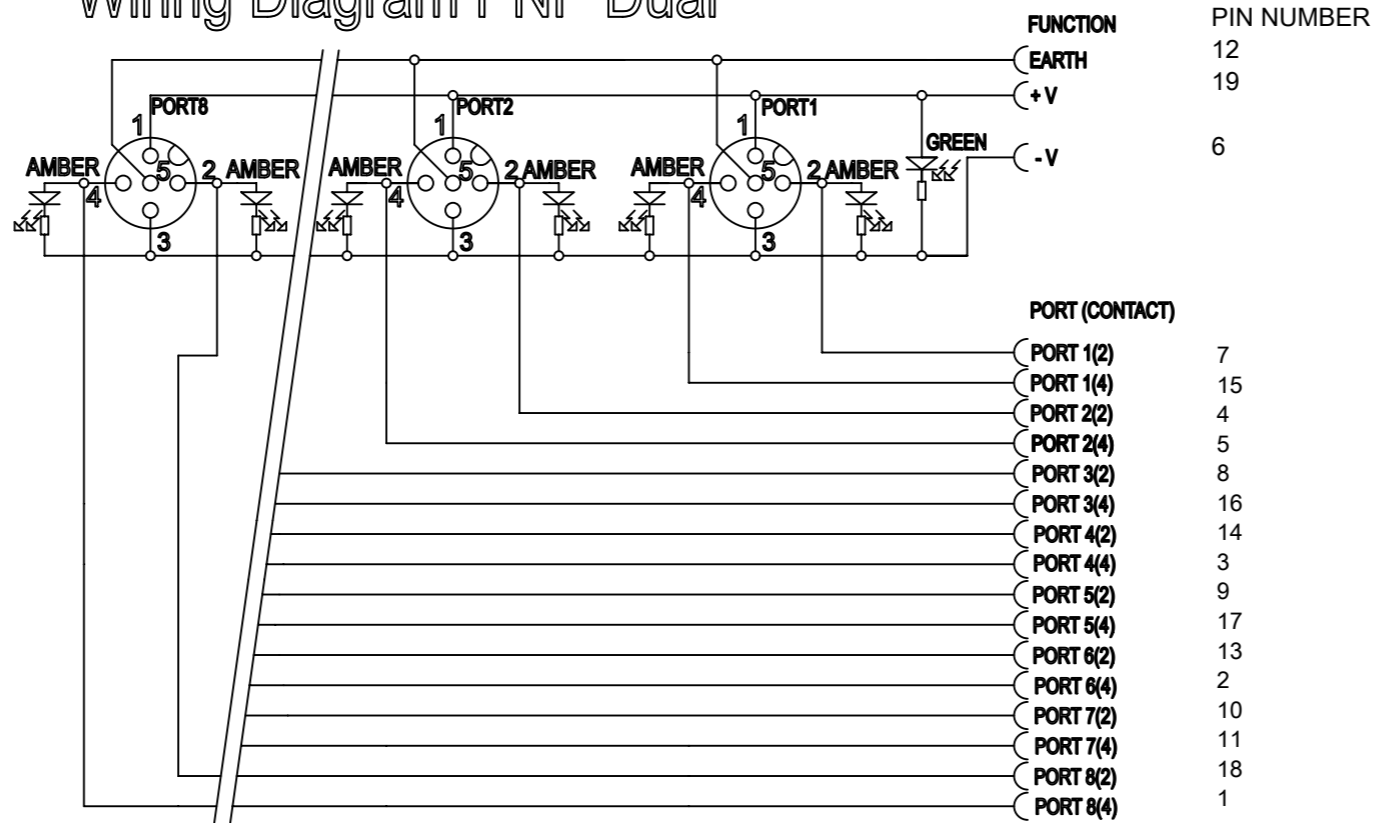
SYMBOLS	THIS DRAWING CONTAINS INFORMATION THAT IS PROPRIETARY TO MOLEX ELECTRONIC TECHNOLOGIES, LLC AND SHOULD NOT BE USED WITHOUT WRITTEN PERMISSION	
DIMENSION UNITS	SCALE	CURRENT REV DESC: INITIAL RELEASE
∇ = 0	mm	1:1
∇ = 0	GENERAL TOLERANCES (UNLESS SPECIFIED)	
∇ = 0	ANGULAR TOL ± 1.0°	
∇ = 0	4 PLACES ±	
∇ = 0	3 PLACES ±	
∇ = 0	2 PLACES ± 0.05	
∇ = 0	1 PLACE ± 0.3	
∇ = 0	0 PLACES ± 0.5	
∇ = 0	DRAFT WHERE APPLICABLE MUST REMAIN WITHIN DIMENSIONS	
∇ = 0	THIRD ANGLE PROJECTION	DRAWING SERIES
∇ = 0	A2-SIZE	120251
EC NO: 631635		DRWN: MDHARMANTI 2020/01/28
CHK'D: RSILLER 2020/02/05		APPR: RSILLER 2020/02/05
INITIAL REVISION:		DRWN: SSM 2019/01/04
APPR: RSILLER 2020/01/17		DRWN: SSM 2020/01/17
DOCUMENT NUMBER	DOC TYPE	DOC PART
1202510095	PSD	000
CUSTOMER	SHEET NUMBER	
GENERAL MARKET	1 OF 2	



MPIS U12 PNP 5P 8PT 0.3M M23 19P BK

PRODUCT CUSTOMER DRAWING

# Wiring Diagram PNP Dual



## CABLE LENGTH TOLERANCES

LENGTH [m]	TOLERANCE [mm]
0-1	+40
>1-5	+60
>5-10	+80
>10-20	+140
>20-30	+160
>30	+1% length

SYMBOLS	THIS DRAWING CONTAINS INFORMATION THAT IS PROPRIETARY TO MOLEX ELECTRONIC TECHNOLOGIES, LLC AND SHOULD NOT BE USED WITHOUT WRITTEN PERMISSION		CURRENT REV DESC: INITIAL RELEASE																												
	<table border="1"> <tr> <th>DIMENSION UNITS</th> <th>SCALE</th> </tr> <tr> <td>mm</td> <td>1:1</td> </tr> </table>	DIMENSION UNITS	SCALE	mm		1:1	<table border="1"> <tr> <td colspan="2">GENERAL TOLERANCES (UNLESS SPECIFIED)</td> </tr> <tr> <td>ANGULAR TOL</td> <td>± 1.0°</td> </tr> <tr> <td>4 PLACES</td> <td>±</td> </tr> <tr> <td>3 PLACES</td> <td>±</td> </tr> <tr> <td>2 PLACES</td> <td>± 0.05</td> </tr> <tr> <td>1 PLACE</td> <td>± 0.3</td> </tr> <tr> <td>0 PLACES</td> <td>± 0.5</td> </tr> </table>		GENERAL TOLERANCES (UNLESS SPECIFIED)		ANGULAR TOL	± 1.0°	4 PLACES	±	3 PLACES	±	2 PLACES	± 0.05	1 PLACE	± 0.3	0 PLACES	± 0.5	<table border="1"> <tr> <td>EC NO: 631635</td> <td>2020/01/28</td> </tr> <tr> <td>DRWN: MDHARMANTI</td> <td>2020/02/05</td> </tr> <tr> <td>CHK'D: RSILLER</td> <td>2020/02/05</td> </tr> <tr> <td>APPR: RSILLER</td> <td>2020/02/05</td> </tr> </table>		EC NO: 631635	2020/01/28	DRWN: MDHARMANTI	2020/02/05	CHK'D: RSILLER	2020/02/05	APPR: RSILLER
DIMENSION UNITS	SCALE																														
mm	1:1																														
GENERAL TOLERANCES (UNLESS SPECIFIED)																															
ANGULAR TOL	± 1.0°																														
4 PLACES	±																														
3 PLACES	±																														
2 PLACES	± 0.05																														
1 PLACE	± 0.3																														
0 PLACES	± 0.5																														
EC NO: 631635	2020/01/28																														
DRWN: MDHARMANTI	2020/02/05																														
CHK'D: RSILLER	2020/02/05																														
APPR: RSILLER	2020/02/05																														
<table border="1"> <tr> <td colspan="2">INITIAL REVISION:</td> <td colspan="2">DOCUMENT NUMBER</td> <td>DOC TYPE</td> <td>DOC PART</td> <td>REVISION</td> </tr> <tr> <td>DRWN: SSM</td> <td>2019/01/04</td> <td colspan="2">1202510095</td> <td>PSD</td> <td>000</td> <td>A1</td> </tr> <tr> <td>APPR: RSILLER</td> <td>2020/01/17</td> <td colspan="2"></td> <td></td> <td></td> <td></td> </tr> </table>					INITIAL REVISION:		DOCUMENT NUMBER		DOC TYPE	DOC PART	REVISION	DRWN: SSM	2019/01/04	1202510095		PSD	000	A1	APPR: RSILLER	2020/01/17						PRODUCT CUSTOMER DRAWING					
INITIAL REVISION:		DOCUMENT NUMBER		DOC TYPE	DOC PART	REVISION																									
DRWN: SSM	2019/01/04	1202510095		PSD	000	A1																									
APPR: RSILLER	2020/01/17																														
DRAFT WHERE APPLICABLE MUST REMAIN WITHIN DIMENSIONS		THIRD ANGLE PROJECTION	DRAWING	SERIES	MATERIAL NUMBER	CUSTOMER	SHEET NUMBER																								
			A3-SIZE	120251	SEE TABLE 1	GENERAL MARKET	2 OF 2																								