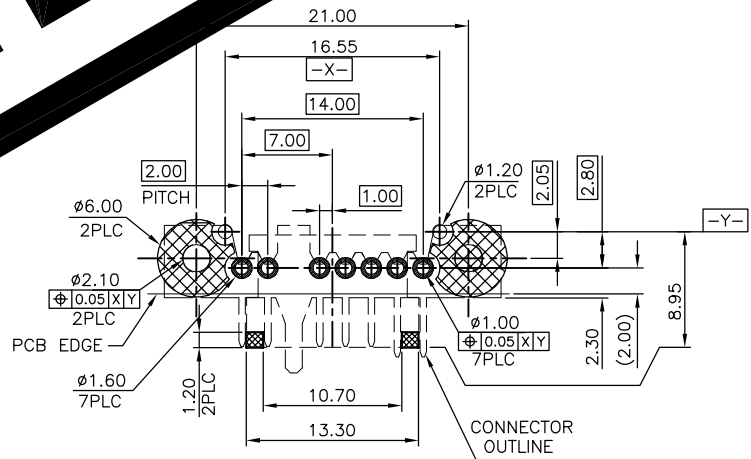
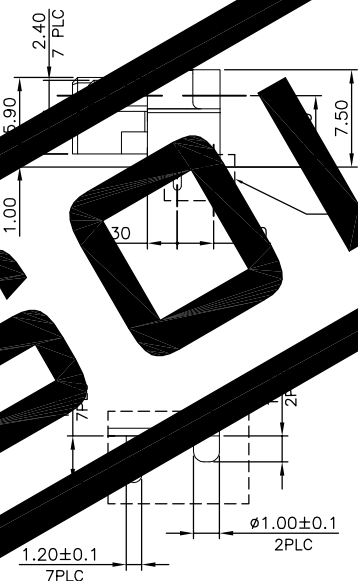
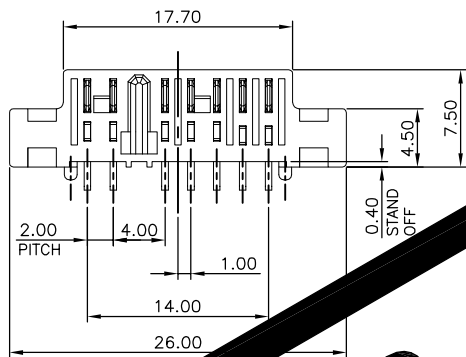
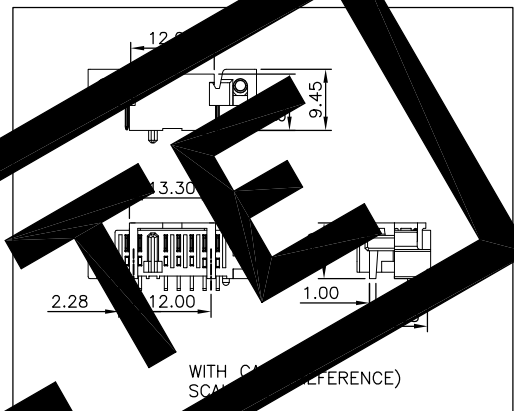
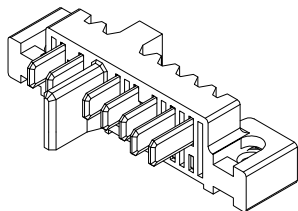
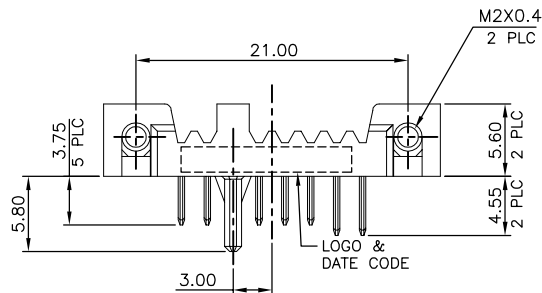


THIS DRAWING IS UNPUBLISHED. RELEASED FOR PUBLICATION  
 © COPYRIGHT - TE Connectivity ALL RIGHTS RESERVED.

REVISIONS					
P	LTR	DESCRIPTION	DATE	DWN	APVD
B		OBSOLETE	24NOV2017	A.L	W.H



⊗ CAP STAND AREA & KEEP OUT AREA  
 RECOMMENDED P.C.B LAYOUT <TOP VIEW>  
 THICKNESS: 1.20mm, TOLERANCE: ±0.05mm

- NOTE:
- MATERIAL:
    - HOUSING: LCP WITH 50% GF, 94V-0, COLOR: BLACK
    - CONTACT: GOLD
    - NUTS: STEEL
  - FINISH:
    - CONTACT: GOLD PLATED ON CONTACT AREA  
 2.54um[100u"] MIN. MATTE-TIN ON SOLDER TAIL  
 1.27um[50u"] MIN. NICKEL UNDERPLATE OVERALL
  - REFLOW SOLDER CAPABLE TO 260°C PER TEST SPEC TEC-109-201
  - LOW HALOGEN SPECIFICATION  
 CHLORINE(CL): 900 ppm MAX.  
 BROMINE(BR): 900 ppm MAX.  
 CL + BR : 1500 ppm MAX.

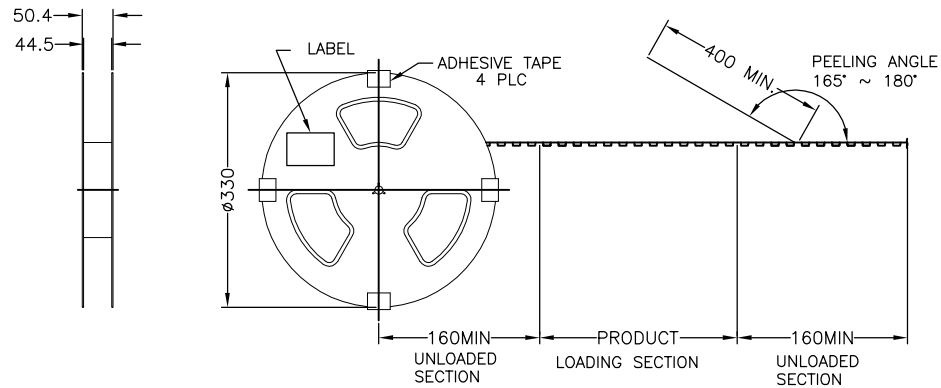
DETAIL A  
 SCALE 2:1

2041432-1  
 PART NUMBER

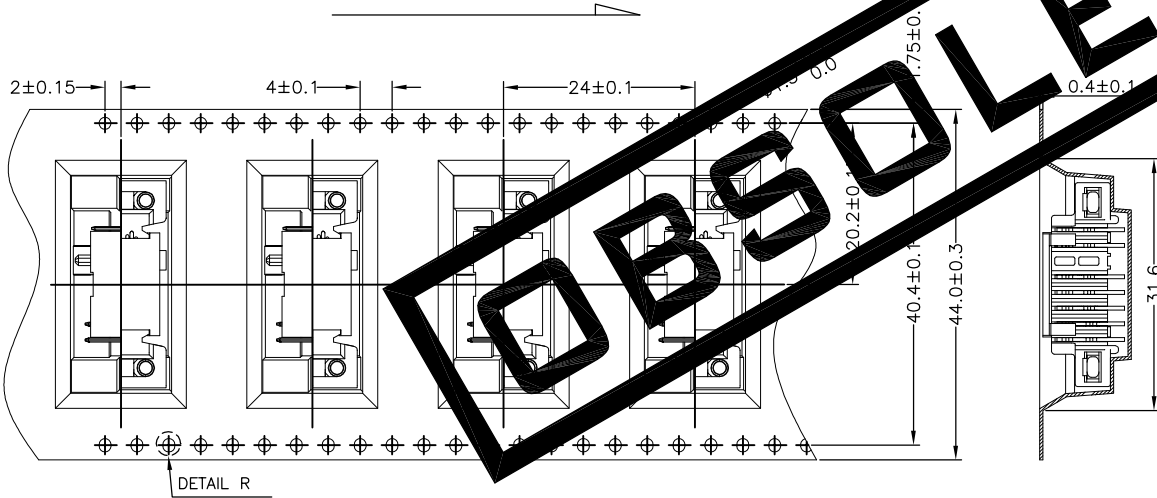
THIS DRAWING IS A CONTROLLED DOCUMENT.		DWN ART.LIN 24NOV2017	TE Connectivity <b>BATTERY CONNECTOR</b> 2.0MM PITCH, PLUG, 7.5H, 5.5CH, R/A TYPE		
		CHK WENKE,HE 24NOV2017			
DIMENSIONS: mm		APVD WENKE,HE 24NOV2017	NAME		
		PRODUCT SPEC 108-57891		RESTRICTED TO	
TOLERANCES UNLESS OTHERWISE SPECIFIED:		APPLICATION SPEC		SIZE	
0 PLC ± -	1 PLC ± 0.3	WEIGHT 1.91 GRAMS		CAGE CODE A300779	
2 PLC ± 0.20	3 PLC ± 0.150	CUSTOMER DRAWING		DRAWING NO C=2041432	
4 PLC ± -	4 PL ANGLES ± 3	SCALE 1:1		SHEET 1 OF 2	
MATERIAL SEE NOTE	FINISH SEE NOTE	REV B			

THIS DRAWING IS UNPUBLISHED. RELEASED FOR PUBLICATION  
 © COPYRIGHT - TE Connectivity ALL RIGHTS RESERVED.

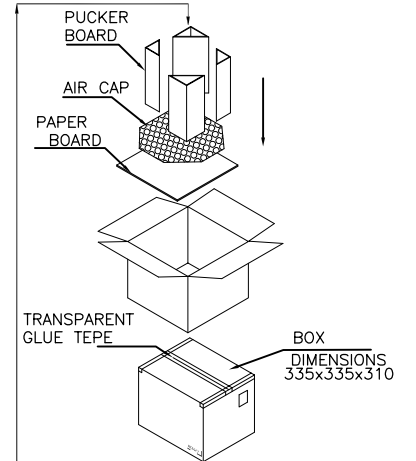
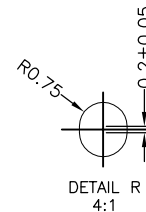
REVISIONS					
P	LTR	DESCRIPTION	DATE	DWN	APVD
-	-	SEE SHEET 1	-	-	-



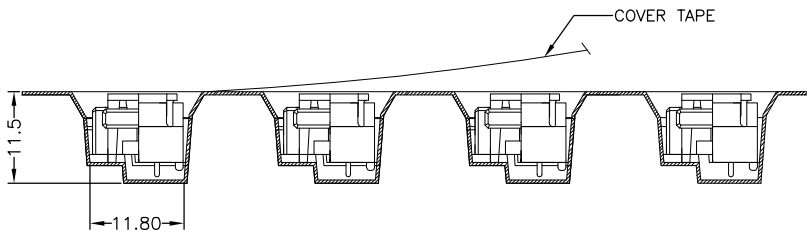
PULL OUT DIRECTION



TOTAL 6 LAYERS



- MATERIAL :
  - CARRIER TAPE: PS
  - COVER TAPE: PET
  - REEL: PS
  - BOX: CORRUGATED FIBER
- PEELING STRENGTH: 0.1~0.7N.
- PEELING SPEED: 300mm/min.



5.63KG	2.29KG	200	6	1200	2041432-1
GROSS WEIGHT	NET WEIGHT	PCS/ REEL	REEL/ BOX	PCS/ BOX	PART NUMBER

THIS DRAWING IS A CONTROLLED DOCUMENT.

DIMENSIONS: mm		TOLERANCES UNLESS OTHERWISE SPECIFIED:	
	0 PLC ± -	1 PLC ± 0.3	2 PLC ± 0.20
	3 PLC ± 0.150	4 PLC ± -	ANGLES ± -
MATERIAL	FINISH		
-	-		

DWN	ART.LIN	24NOV2017
CHK	WENKE,HE	24NOV2017
APVD	WENKE,HE	24NOV2017
PRODUCT SPEC		
APPLICATION SPEC		
WEIGHT		
CUSTOMER DRAWING		

<b>STE</b> TE Connectivity			
NAME BATTERY CONNECTOR 2.0MM PITCH, PLUG, 7.5H, 5.5CH, R/A TYPE			
SIZE	CAGE CODE	DRAWING NO	RESTRICTED TO
A3	00779	G=2041432	-
SCALE 1:1		SHEET 2 OF 2	REV B