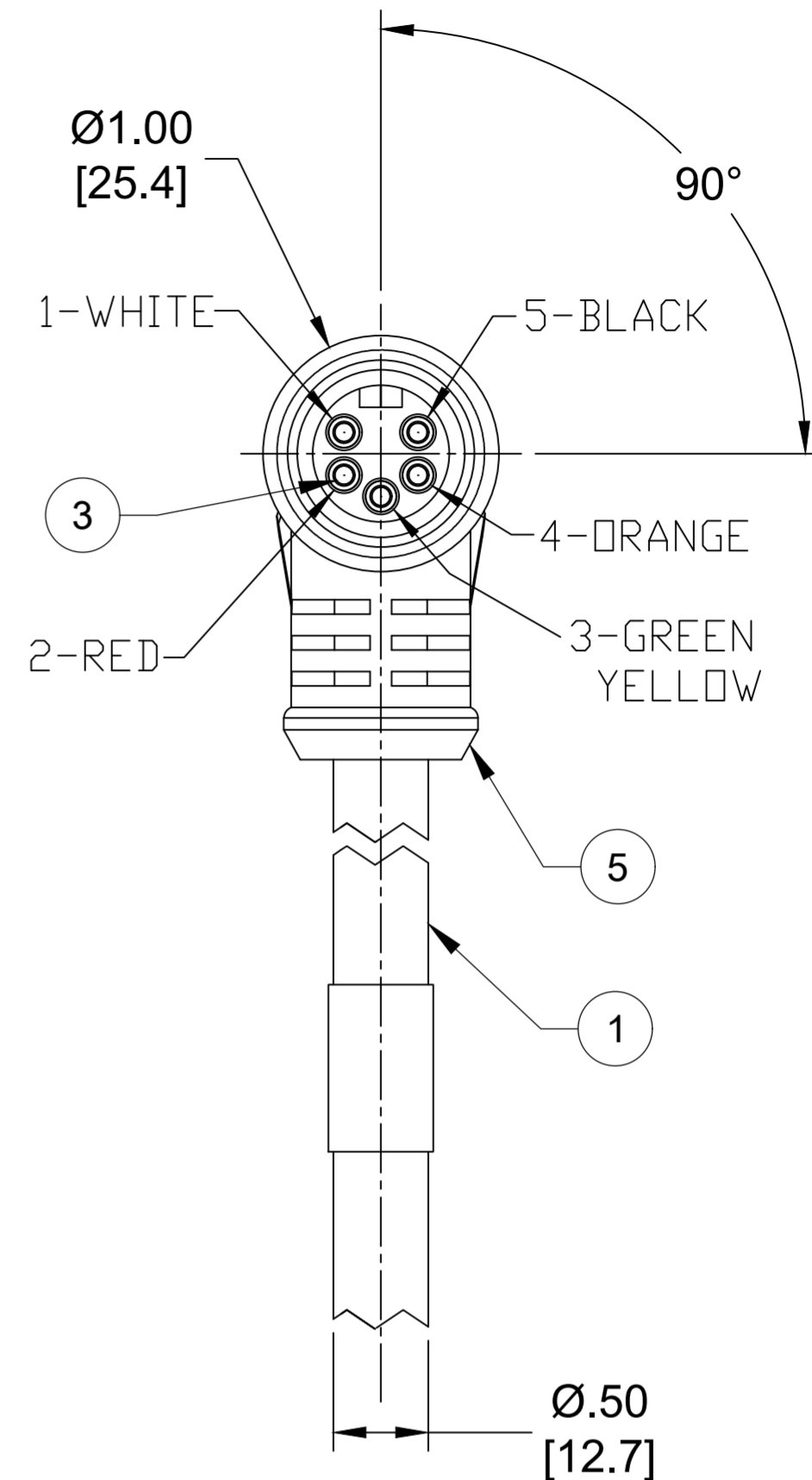
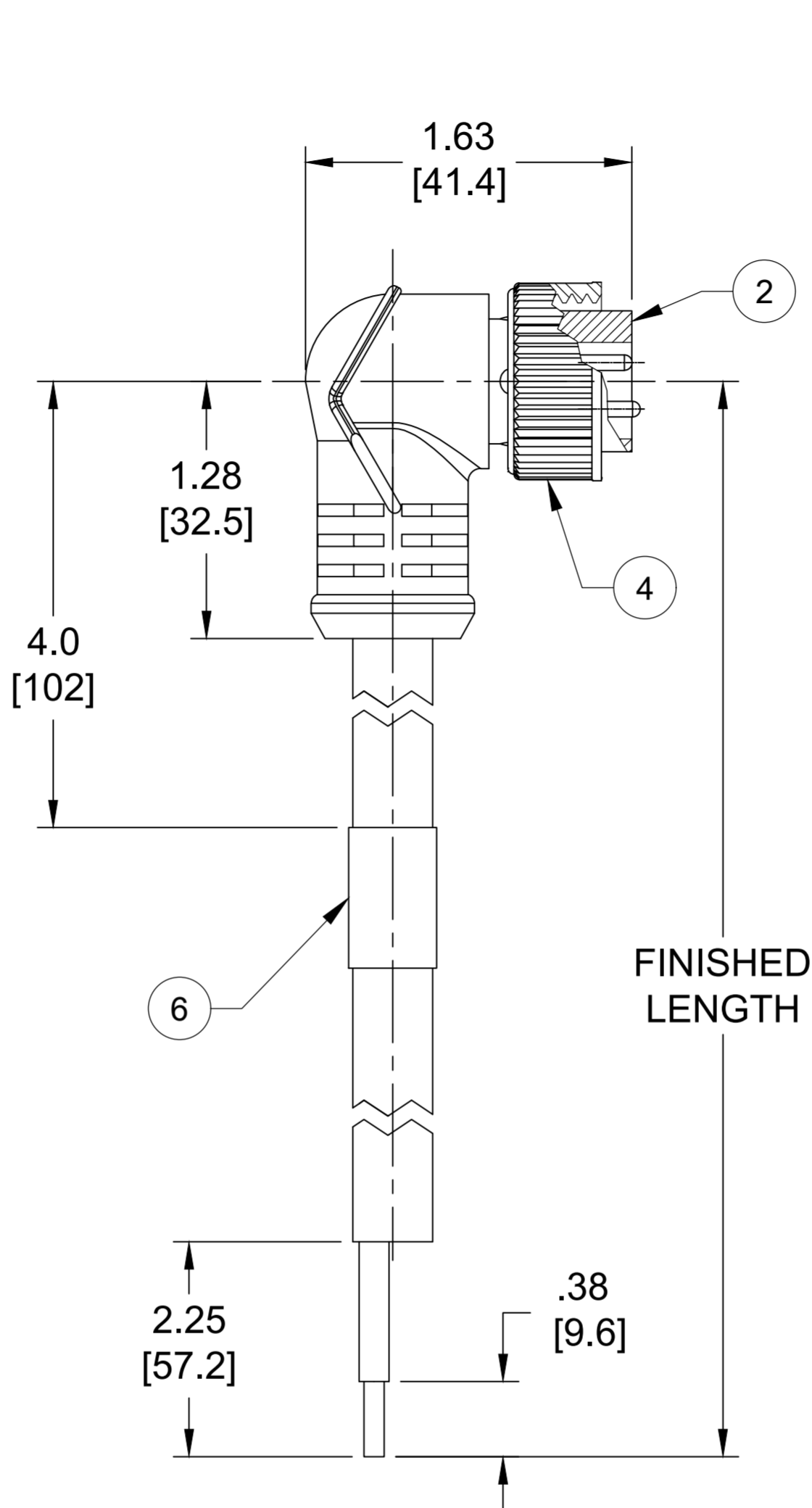
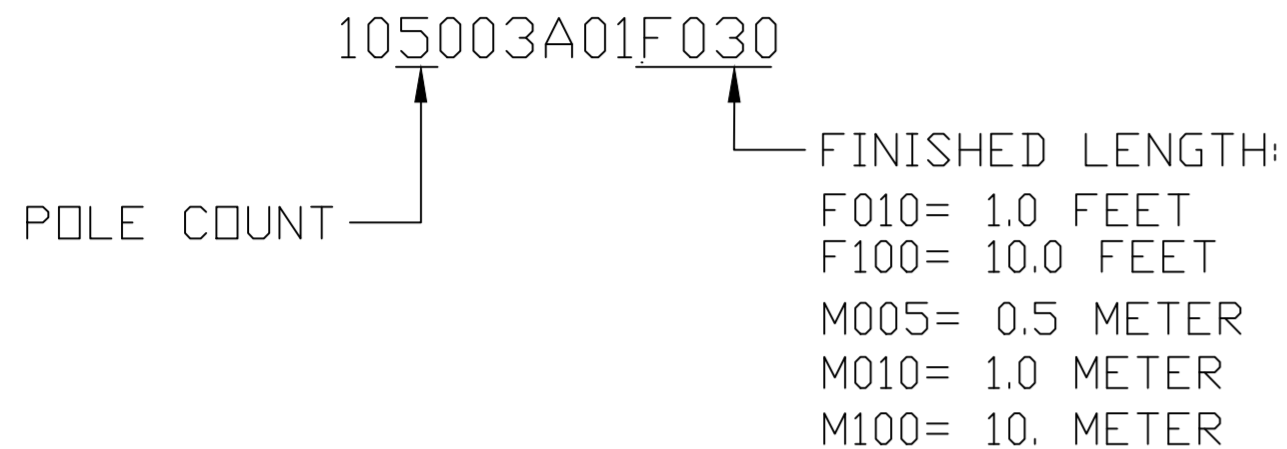


PART NO.	ENGINEERING NO.	FINISHED LENGTH
1300061516	105003A01F030	3.0FT [9.1M]
1300061518	105003A01F060	6.0FT [1.8M]
1300061524	105003A01F200	20.0FT [6.1M]

REF. THIS DRAWING SUPERSEDES SD-130006-035 REV-1 (A)

PART NUMBER LEGEND



- NOTES:**
1. MATERIAL: AS NOTED
 2. FINISH: AS NOTED
 3. ELECTRICAL:
VOLTAGE: 400V PER IEC60664
600V PER UL2238
CURRENT: 8A
 4. TEMP RATING: -20°TO +80°C
 5. PROTECTION: IP67 (WHEN MATED)
 6. COUPLING THREAD: 7/8-16UN
 7. UL RECOGNIZED FILE: E152210
CSA CERTIFIED FILE: LR6837
 8. ALL DIMS ARE FOR REFERENCE UNLESS TOLERANCED OR NOTED OTHERWISE

CABLE LENGTH TOLERANCES

>.3M [1FT]:	+19mm-0 [+ .75in-0]
.3 - .9M [1 - 3FT]:	+44.5mm-0 [+1.75in-0]
.9 - 1.8M [3 - 6FT]:	+55.6mm-0 [+2.19in-0]
1.8 - 3.7M [6 - 12FT]:	+88.9mm-0 [+3.50in-0]
3.7 - 7.3M [12 - 24FT]:	+165.1mm-0 [+6.50in-0]
7.3-14.6M [24 - 48FT]:	+317.5mm-0 [+12.50in-0]
14.6 - 30.5M [48-100FT]:	+622.3mm-0 [+24.50in-0]
OVER 30M [100FT]	+2% OF FINISHED LENGTH

ITEM	DESCRIPTION	MATERIAL	FINISH
6	WRAP LABEL	VINYL	BLACK/YELLOW
5	OVERMOLD	TPE	YELLOW
4	COUPLING NUT, INT. THD	ZINC DIE-CAST	NICKEL PLATED
3	CONTACT PIN	COPPER ALLOY	GOLD PLATED
2	MALE INSERT	TPE	YELLOW
1	CABLE, 16/5, STOOW	PVC JACKET	YELLOW

THIS DRAWING CONTAINS INFORMATION THAT IS PROPRIETARY TO MOLEX ELECTRONIC TECHNOLOGIES, LLC AND SHOULD NOT BE USED WITHOUT WRITTEN PERMISSION

SYMBOLS	DIMENSION UNITS	SCALE	CURRENT REV DESC:
∇ = 0	INCH/MM	1:1	REDRAWN, WAS SD-130006-035
∇ = 0	GENERAL TOLERANCES (UNLESS SPECIFIED)		
∇ = 0	mm	INCH	
∇ = 0	4 PLACES	±----	EC NO: 624117
∇ = 0	3 PLACES	±----	DRWN: RSTONE 2019/09/10
∇ = 0	2 PLACES	±----	CHK'D: MZIELINSKI 2019/09/19
∇ = 0	1 PLACE	±----	APPR: BWOODMAN 2019/10/03
∇ = 0	0 PLACES	±----	INITIAL REVISION:
∇ = 0	ANGULAR TOL ± ---- °		
∇ = 0	DRAFT WHERE APPLICABLE MUST REMAIN WITHIN DIMENSIONS		
∇ = 0	THIRD ANGLE PROJECTION	DRAWING	SERIES
		C-SIZE	130006

molex		
MINI CHANGE CABLE ASSY, 5P, MALE, 90 DEG 16AWG, STOOW, INTERNAL THREAD		
PRODUCT CUSTOMER DRAWING		
DOCUMENT NUMBER	DOC TYPE	DOC PART
1300061516	PSD	000
CUSTOMER	SHEET NUMBER	
----	1 OF 1	