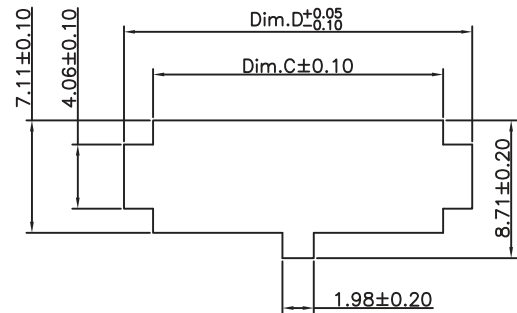


1 2 3 4 5



TECHNICAL CHARACTERISTICS

MATERIAL
 INSULATOR: NYLON 66
 FLAMABILITY RATING: UL94-V0
 COLOR: BLACK
 PITCH: 3.00MM

ENVIRONMENTAL
 OPERATING TEMPERATURE: -25 UP TO 105°C
 COMPLIANCE: LEAD FREE AND ROHS

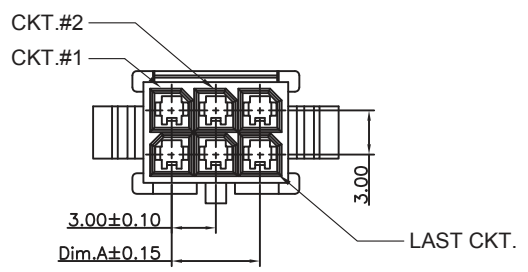
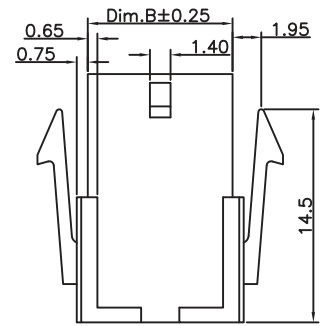
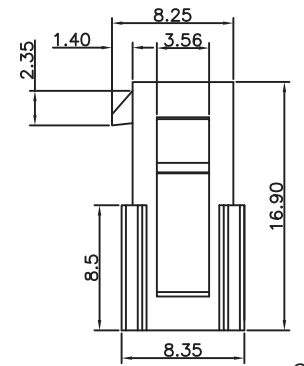
ELECTRICAL
 CURRENT RATING: 5A
 WORKING VOLTAGE: 250V AC
 INSULATOR RESISTANCE: >1000 MOHM
 DIELECTRIC WITHSTANDING VOLTAGE: 1500V AC/MN

STANDARD
 CERTIFIED: E323964

PACKAGING
 BAG

DIMENSION

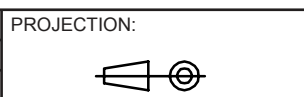
PINS	A	B	C	D
2	-	3.85	4.21	7.90
4	3.00	6.85	7.21	10.90
6	6.00	9.85	10.21	13.89
8	9.00	12.85	13.21	16.89
10	12.00	15.85	16.21	19.89
12	15.00	18.85	19.21	22.89
14	18.00	21.85	22.20	25.88
16	21.00	24.85	25.20	28.88
18	24.00	27.85	28.20	31.88
20	27.00	30.85	31.22	34.87
22	30.00	33.85	34.22	37.87
24	33.00	36.85	37.22	40.87



RECOMMENDED PANEL CUT-OUT
 RECOMMENDED THICKNESS: 1.4-2.54mm

RoHS Compliant

I	02-JUL-15	PINNING	AK
H	12-SEP-14	DRAWINGS	AS
REV	DATE	FILE	BY



GENERAL TOLERANCE
 .X = +/- 0.2
 .XX = +/- 0.15



APPROVAL: BBu

UNIT: MM
 SCALE:
 SHEET: 1/2
 DRAW: PEARL

DESCRIPTION: 3.00MM MALE DUAL ROW PLUG WITH MOUNTING EARS
 WERI PART NO: 662 0xx 218 22

SIZE
A4

A
 B
 C
 D

1

2

3

4

5

Cautions and Warnings:

This electronic component is designed and developed with the intention for use in general electronics equipments.

Before incorporating the components into any equipments in the field such as aerospace, aviation, nuclear control, submarine, transportation, (automotive control, train control, ship control), transportation signal, disaster prevention, medical, public information network etc. where higher safety and reliability are especially required or if there is possibility of direct damage or injury to human body, Würth Elektronik must be asked for a written approval.

In addition, even electronic component in general electronic equipments, when used in electrical circuits that require high safety, reliability functions or performance, the sufficient reliability evaluation-check for the safety must be performed before by the user before usage.

A

B

C

RoHS Compliant

G				PROJECTION: 	GENERAL TOLERANCE .X = +/- 0.2 .XX = +/- 0.15		
F							
E							
D							
C				APPROVAL: JC	UNIT: MM	DESCRIPTION: DISCLAIMER	SIZE A4
B					SCALE:		
A	10-SEP-14	PDF	QL		SHEET: 2/2	WERI PART NO: DISCLAIMER	
REV	DATE	FILE	BY		DRAW: QL		

D