

V5 xx 51 x 0 xxxx G

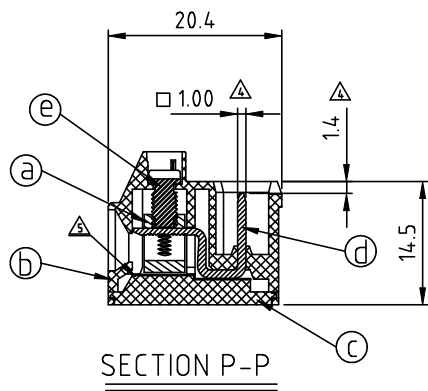
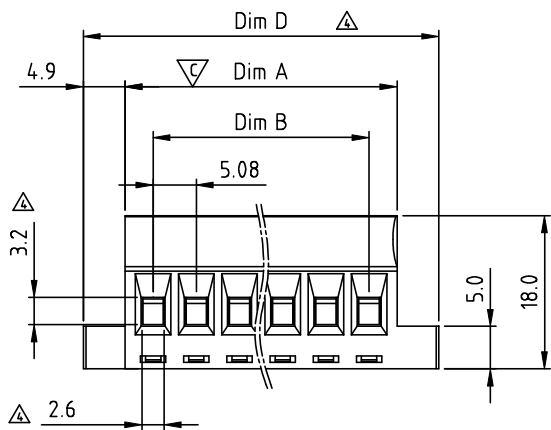
No. OF POLES
 02 2 POLES
 03 3 POLES

 24 24 POLES

COLOR
 0 Black (RAL9005)
 2 Red (RAL3001/D)
 3 Orange(RAL2011/P)
 4 Yellow(RAL1018/A)
 5 Green(RAL6018/T)
 6 Blue (RAL5015/A)
 8 Grey(RAL7035/D)
 9 White(RAL1102)
 C Green(RAL6018/U)

G RoHS compliant (lead<4%)
 In copper Alloy

0000: "@" Logo (Standard)
 000A: "ANYTEK" Mark
 Any special item by customer request. please contact sales



SIGN	DATE	DESCRIPTION	APPROVER
△	2010.10.11	The design is changed	Jacke
△	2011.08.17	Torque(Lb-In) is changed from 5.2(Lb-In) to 4.4(Lb-In)	Aaron
△	2011.08.17	Add is cULus	Aaron
△	2011.08.18	The dimension are added	Aaron
△	2012.02.07	Add the positioning rib on rail slot base to prevent install wrongly.	Aaron
△	08/29-15	Update the drawing	Evan
△	08/26-16	Update the Tolerance	Evan

THIS IS CAD DRAWING, DO NOT REVISE MANUALLY!!!

Material:

- Item Ⓐ Clamp: Brass Ni plated
- Item Ⓑ Terminal(housing): Thermoplastic (UL94V-0)
- Item Ⓒ Terminal(cover): Thermoplastic (UL94V-0)
- Item Ⓓ Contact pin : Brass,Bright Tin plated over Nickel plated
- Item Ⓔ Terminal screw: Steel Zinc plating solt "-"type M3

Electrical:

- Voltage rating: 300V
- Current rating: 12A
- Wire range:
- Solid wire(AWG): 12-30
- Stranded wire(AWG): 12-30
- Torque(Lb-In): 4.4
- Screw: M3
- Wire strip length: 6 -7 mm
- Withstanding Voltage: 1.6KV
- Operating temperature: -40°C to +115°C
- Safety Approval:
- Critical dimension: ▽

DIMENSION

Dim A	Nx5.08+1.52
Dim B	(N-1)x5.08
Dim C	(N-1)x5.08
Dim D	Nx5.08+11.32
Dim E	(N-1)x5.08+10.8

N= NUMBER OF CONCATS

Poles	Dim A&Dim B&Dim C&Dim E	Dim D
2P-6P	±0.20	±0.40
7P-12P	±0.25	±0.50
13P-18P	±0.30	±0.50
19P-24P	±0.40	±0.50

Amphenol ANYTEK

CUSTOMER COPY

ALL RIGHTS RESERVED. REPRODUCTION OR ISSUE TO THIRD PARTIES IN ANY FORM WHATSOEVER IS NOT PERMITTED WITHOUT WRITTEN AUTHORITY FROM THE PROPRIETOR. PROPERTY OF ANYTEK TECHNOLOGY CO., LTD

TITLE		V5 - 5.08 Series 2P-24P (W/O Flange) Bottom cover fixed type				
PART NO.		V5xx51x0xxxxG		DWG NO.		8V50006
APPROVED	CHECKED	DESIGNED	DRAWN	CUST NO.		Tolerance
		Evan 08/26-16	Jacke 2010.10.11			X. ±0.50
						X.X ±0.30
						X.XX ±0.10
						X° ±1°

SHEET: 01/01
UNIT: mm
SCALE: NONE
REV.: G