

Customer Information Sheet

DRAWING No.: M80-5T102M2-11-311

SHEET 2 OF 2

IF IN DOUBT - ASK

©

NOT TO SCALE

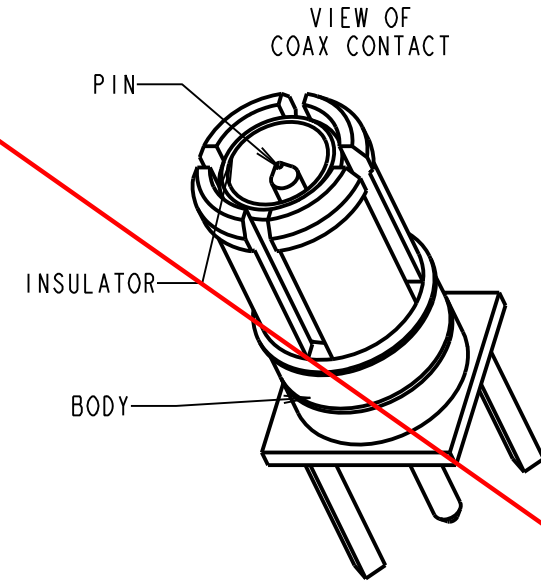
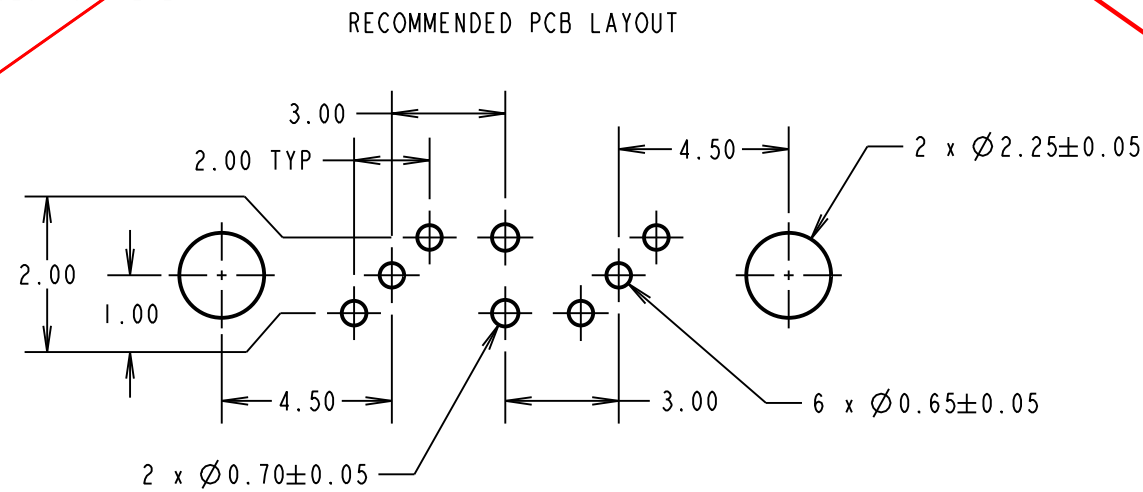
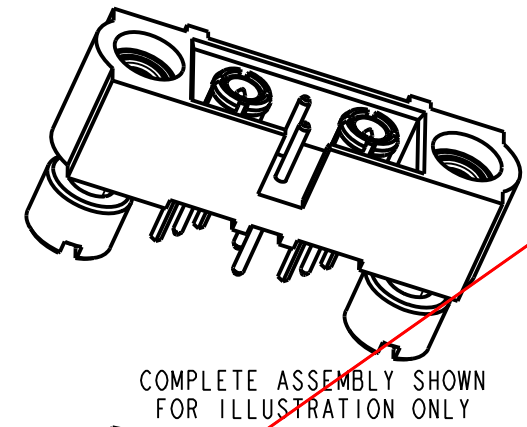
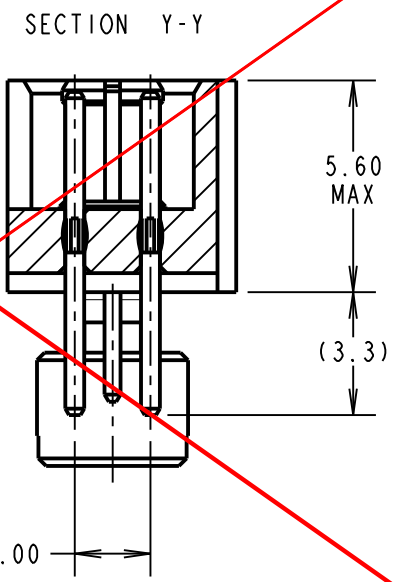
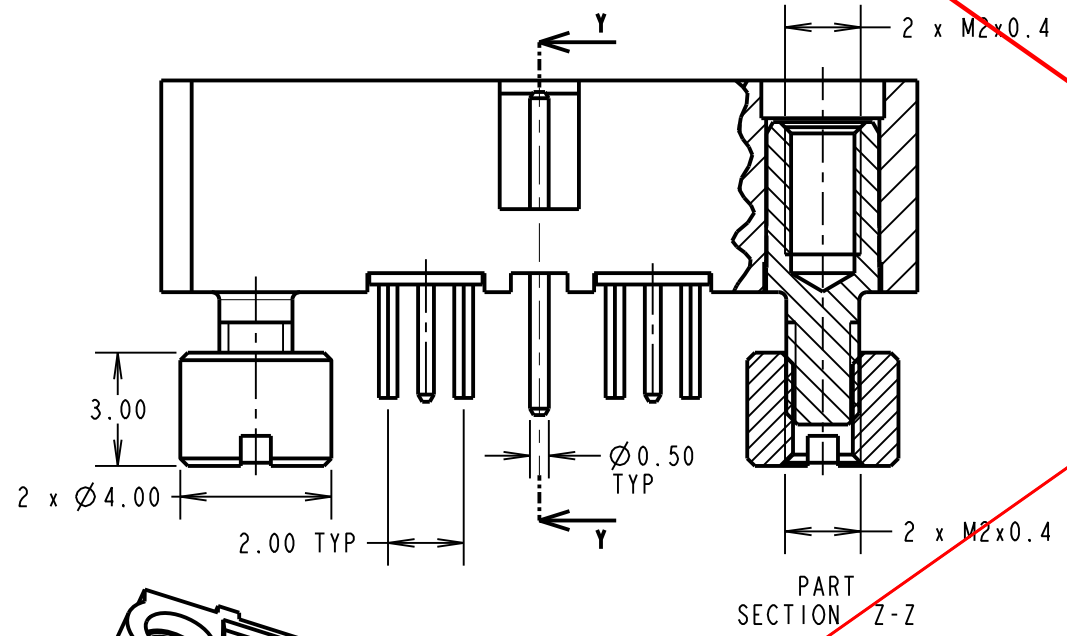
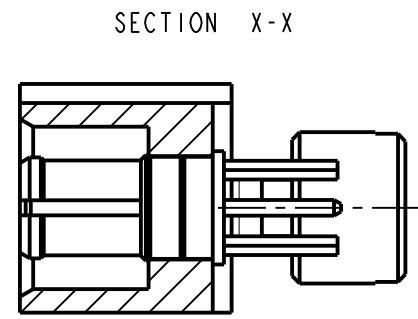
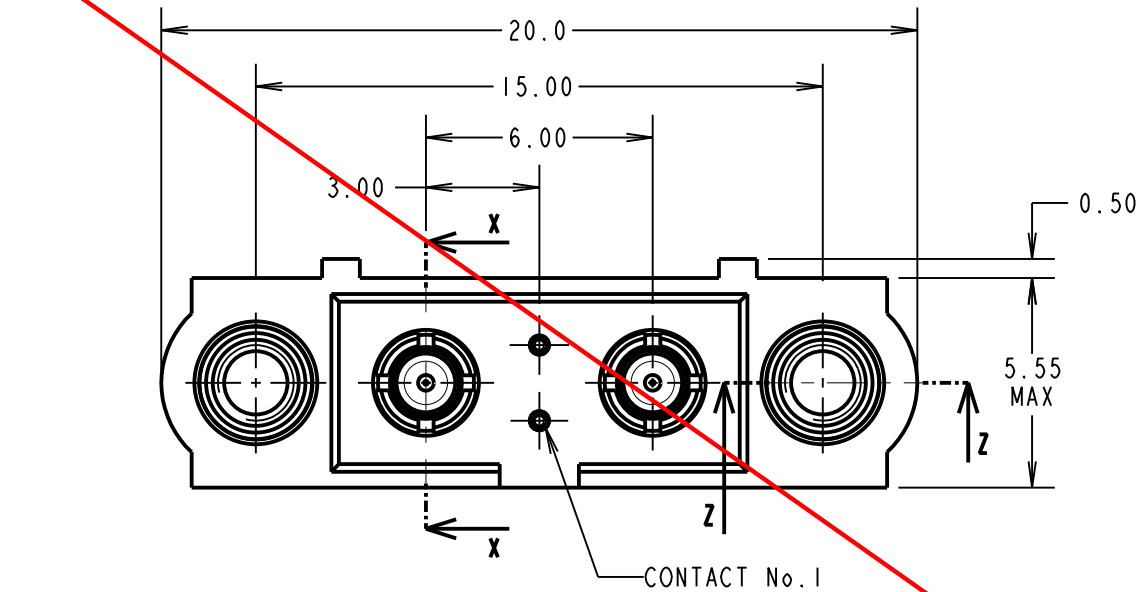
THIRD ANGLE PROJECTION

ALL DIMENSIONS IN mm

OBSOLETE

SPECIFICATIONS:
MATERIAL:
 MOULDING = GLASS-FILLED PPS, UL94V-0, BLACK
 SIGNAL PIN = PHOSPHOR BRONZE
 JACKSCREW, NUT = STAINLESS STEEL
COAX CONTACT:
 BODY = COPPER ALLOY
 PIN = PHOSPHOR BRONZE
 INSULATOR = PTFE
FINISH:
 SIGNAL PIN = 0.75µ GOLD ON CONTACT AREA,
 3.0µ 100% TIN OVER NICKEL ON TAILS
COAX CONTACT:
 BODY, PIN = GOLD
ELECTRICAL:
 CURRENT RATING AT 25°C = 3.0A MAX
 CURRENT RATING AT 85°C = 2.2A MAX
 WORKING VOLTAGE = 800V AC/DC
 VOLTAGE PROOF = 1200V AC/DC
 CONTACT RESISTANCE = 25mΩ MAX
 INSULATION RESISTANCE = 100MΩ MIN
COAX CONTACT:
 FREQUENCY RANGE = 6GHz
 IMPEDANCE = 50Ω
 V.S.W.R. = 1.05 + (0.04 x FREQUENCY) GHz MAX
 CONTACT RESISTANCE = 6mΩ MAX
 INSULATION RESISTANCE = 10 MΩ @250V AC
 OPERATING VOLTAGE = 180V AC @ 500mA
 MAXIMUM VOLTAGE = 1,000V AC
MECHANICAL:
 DURABILITY = 500 OPERATIONS
ENVIRONMENTAL:
 TEMPERATURE RANGE = -55°C TO +125°C
PACKING:
 TUBE
 FOR COMPLETE SPECIFICATION, SEE COMPONENT SPECIFICATION C005XX (LATEST ISSUE)

NOTE:
 1. CONNECTORS ARE SUPPLIED WITH NUTS LOOSE.



| | | | |
|-------------------|------|----------|--------|
| LS | 2 | 24.10.17 | 13269 |
| NAME | ISS. | DATE | C/NOTE |
| APPROVED: LS | | | |
| CHECKED: MGP | | | |
| DRAWN: B. M. KENT | | | |
| CUSTOMER REF.: | | | |
| ASSEMBLY DRG: | | | |

| | | | | |
|--|---|--|--|---|
| www.harwin.com technical@harwin.com | THIS DRAWING AND ANY INFORMATION OR DESCRIPTIVE MATTER SET OUT HEREON ARE CONFIDENTIAL AND COPYRIGHT PROPERTY OF THE HARWIN GROUP AND MUST NOT BE DISCLOSED, LOANED, COPIED OR USED FOR MANUFACTURING, TENDERING OR FOR ANY OTHER PURPOSE WITHOUT THEIR WRITTEN PERMISSION. | TOLERANCES X. = ±1mm X.X = ±0.50mm X.XX = ±0.10mm X.XXX = ±0.01mm ANGLES = ±5° UNLESS STATED | MATERIAL: SEE ABOVE | TITLE: JACKSCREW DATAMATE MIXED TECHNOLOGY VERT PC TAIL MALE ASSEMBLY (BOARD MOUNT) |
| | | FINISH: SEE ABOVE S/AREA: mm ² | DRAWING NUMBER: M80-5T102M2-11-311 | SHT 2 OF 2 |