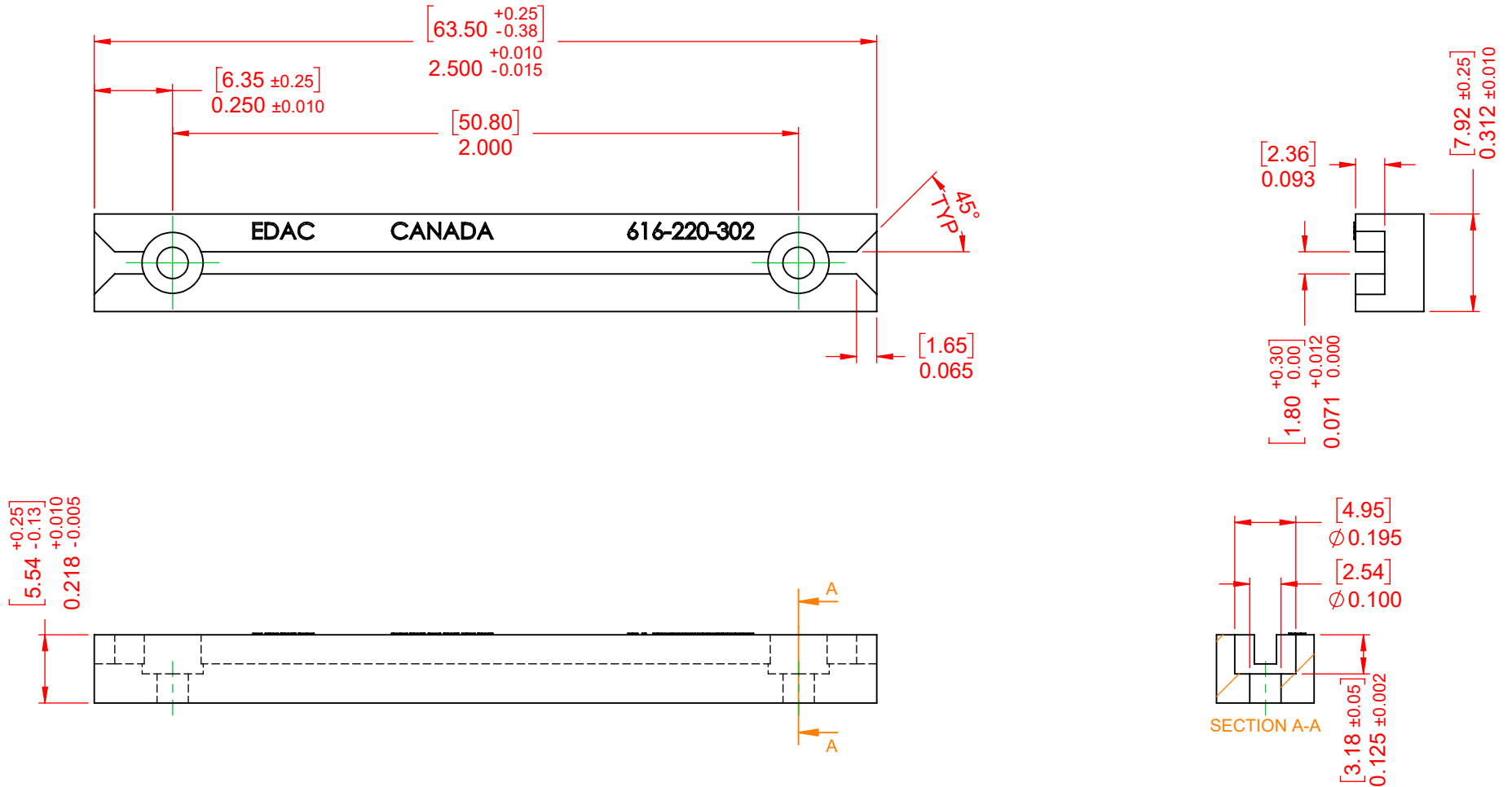


TOLERANCE UNLESS OTHERWISE SPECIFIED	
.X	±---
.XX	±---
.XXX	±.005

THIS IS A C.A.D. GENERATED DRAWING
DO NOT MAKE MANUAL REVISIONS TO MASTER.



ISSUE NUMBER	
ORIGINAL	①
CONVERTED TO SW2020 C.B AUG, 20/2020	②



NOTE:
MATERIAL & FINISH: THERMOPLASTIC POLYESTER, UL94V-0 RATED, GREY IN COLOR

616 SERIES UNI-GUIDE		ACAD REFERENCE NO.: 616-220-001	
		DRAWN: F. BIRONES	DATE: APR, 17/1997
EDAC TORONTO, ONTARIO CANADA YOUR CONNECTION TO QUALITY & SERVICE		CHECKED:	DATE:
		SCALE: 2:1	SHEET 1 OF 1
THESE DRAWINGS AND SPECIFICATIONS ARE THE PROPERTY OF EDAC INC., AND SHALL NOT BE REPRODUCED, OR COPIED OR USED AS THE BASIS FOR THE MANUFACTURE OR SALE OF APPARATUS WITHOUT WRITTEN PERMISSION.			DRAWING NUMBER: 616-220-001
			PART NUMBER: 616-220-302
			ISSUE 23



THIS SERIES FULLY CONFORMS TO
THE EUROPEAN UNION DIRECTIVES
2011/65/EU FOR RoHS COMPLIANCY.