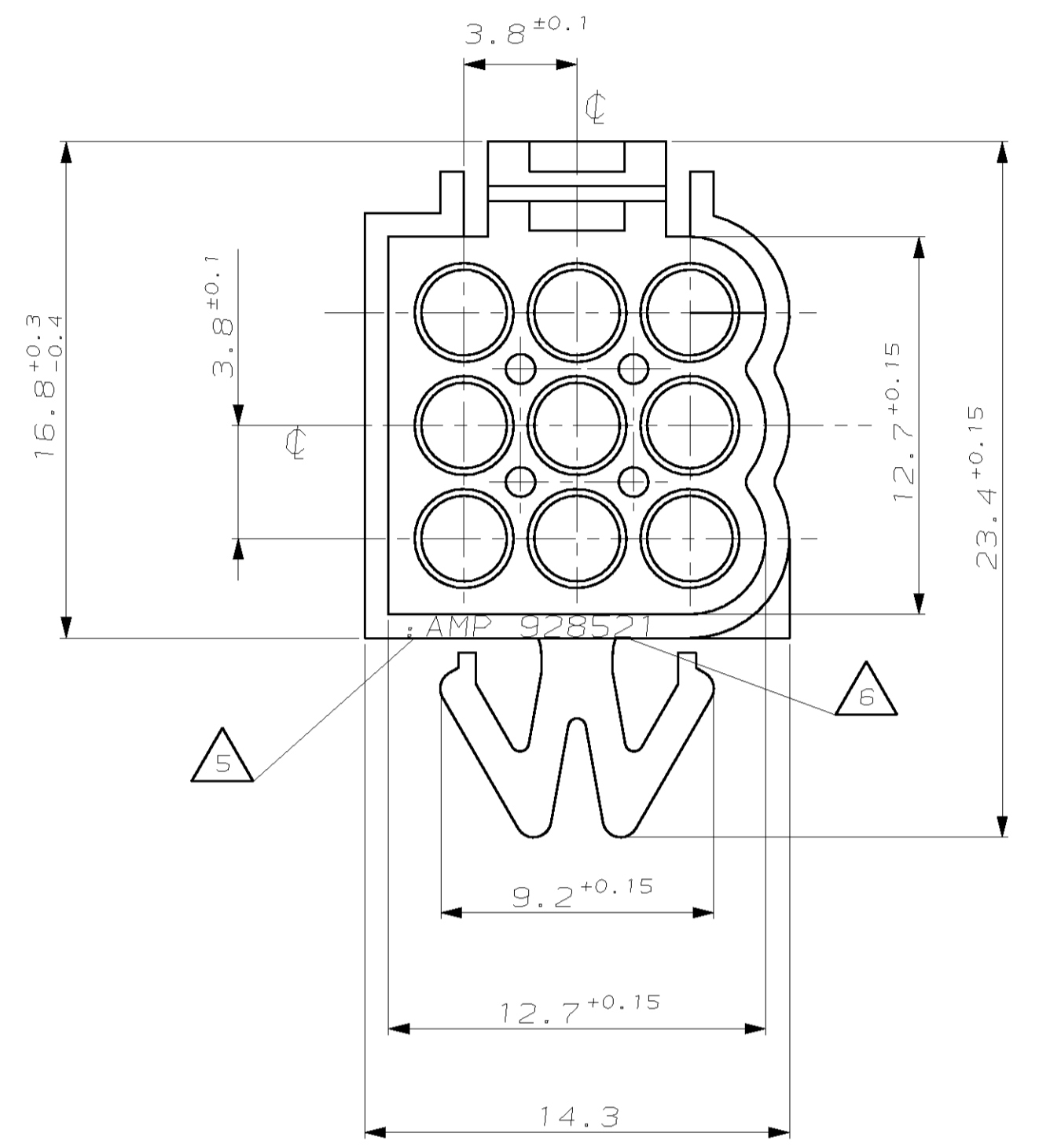
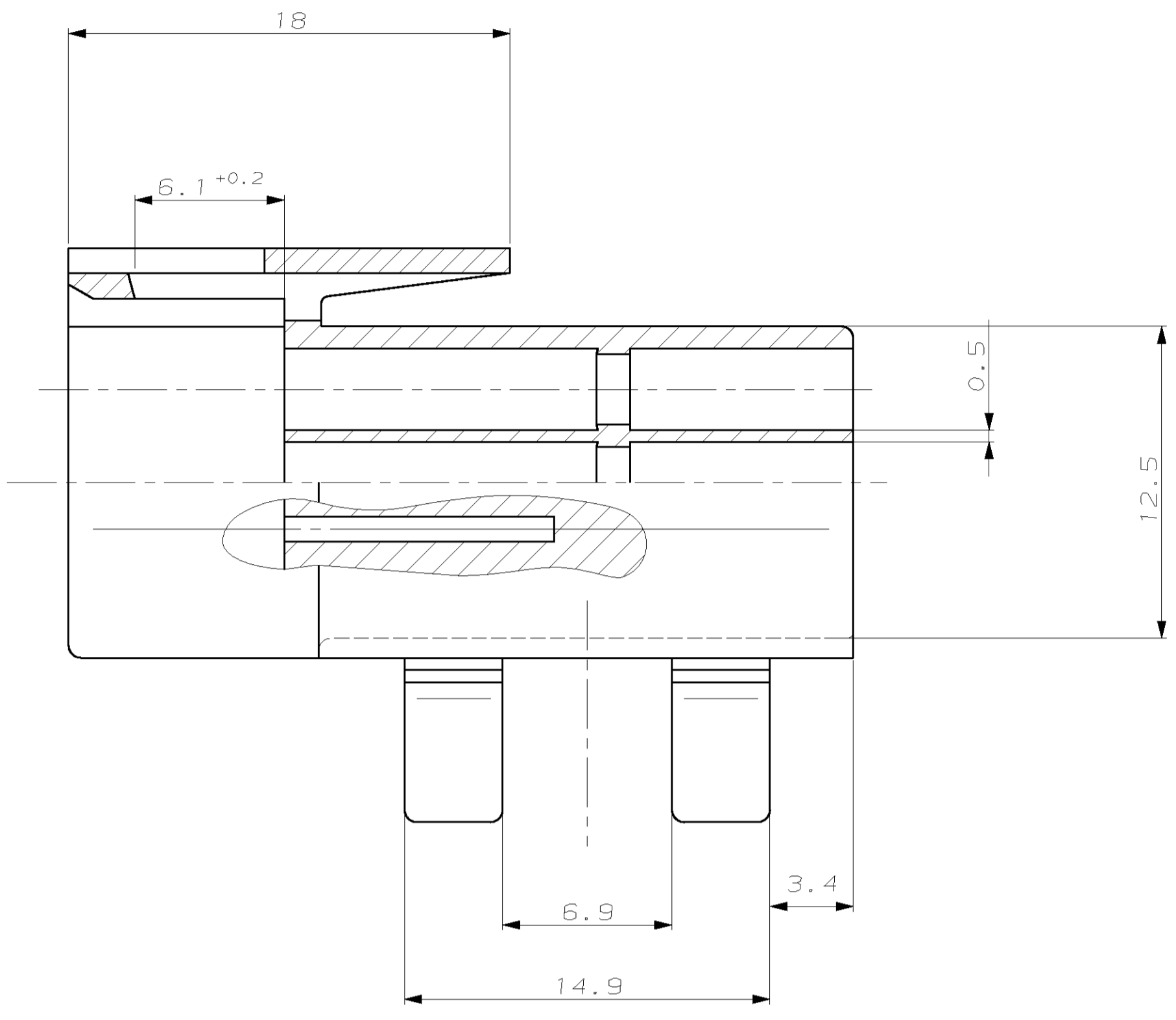
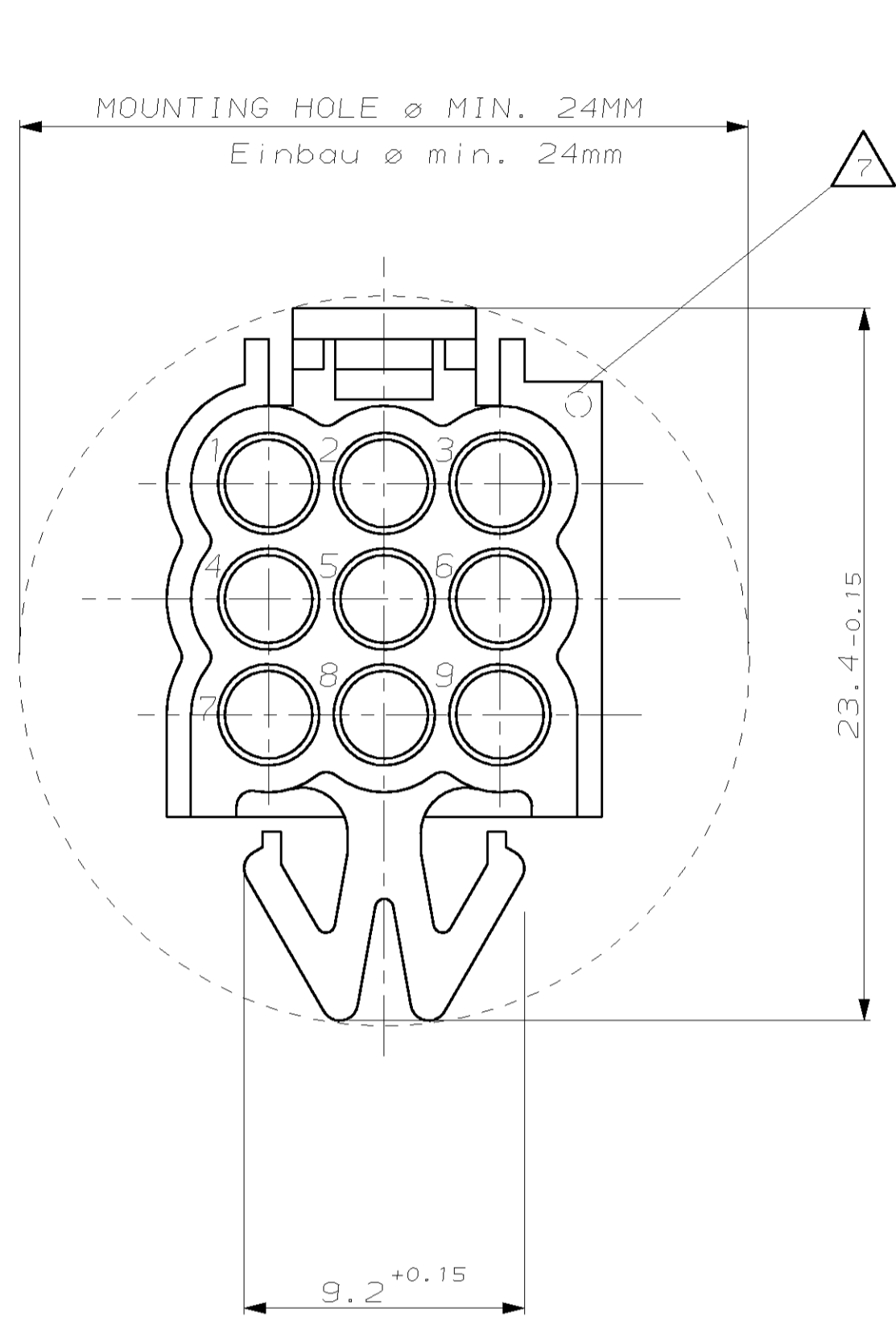
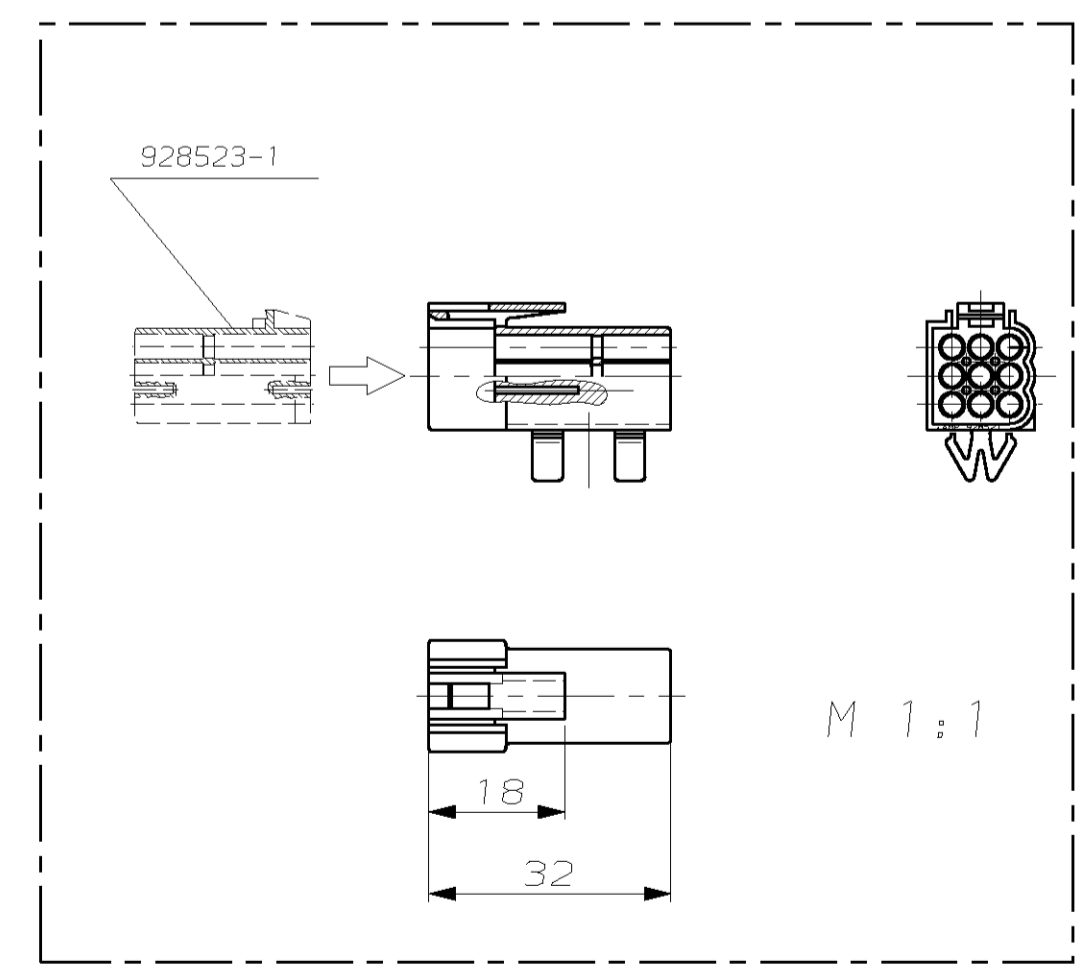
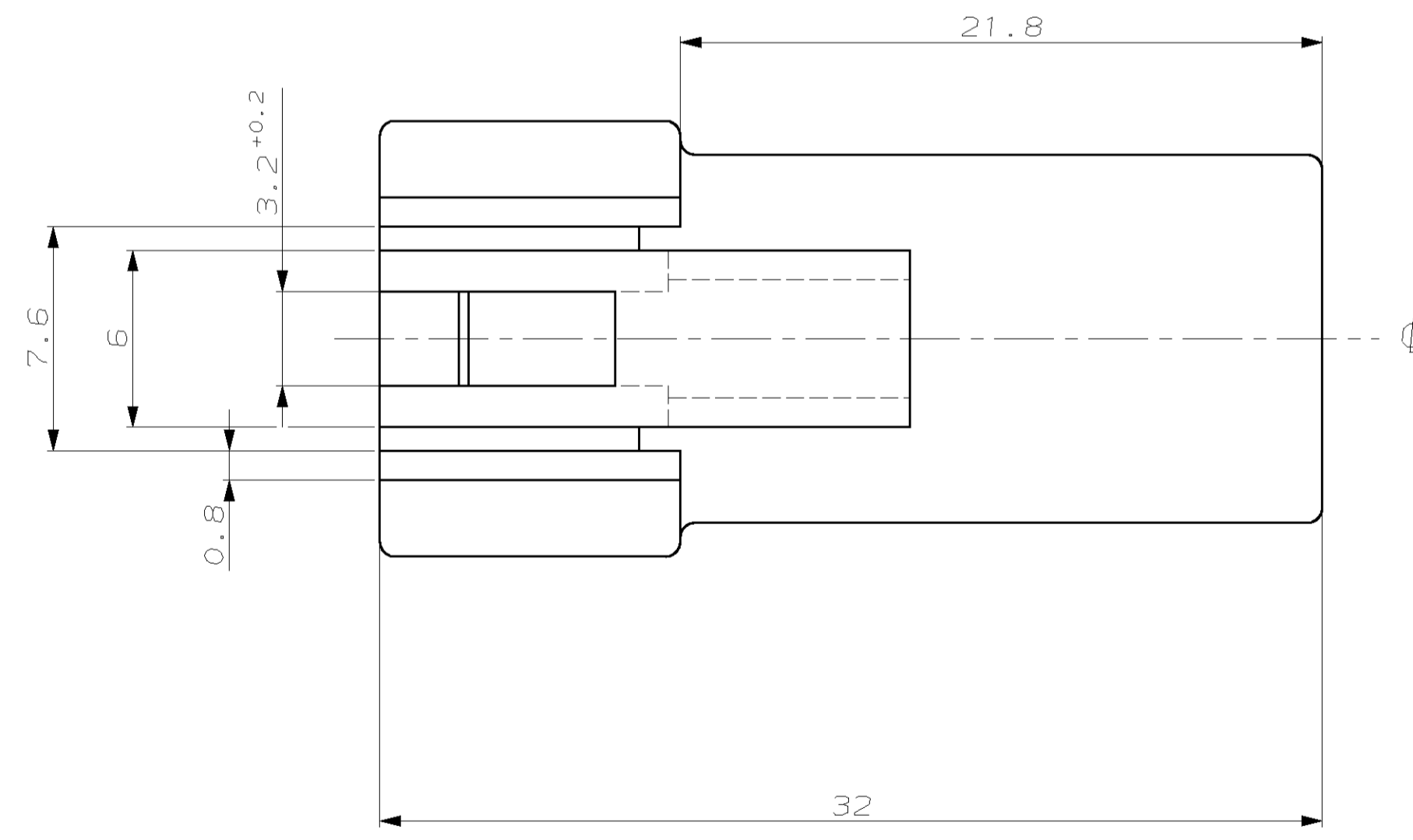
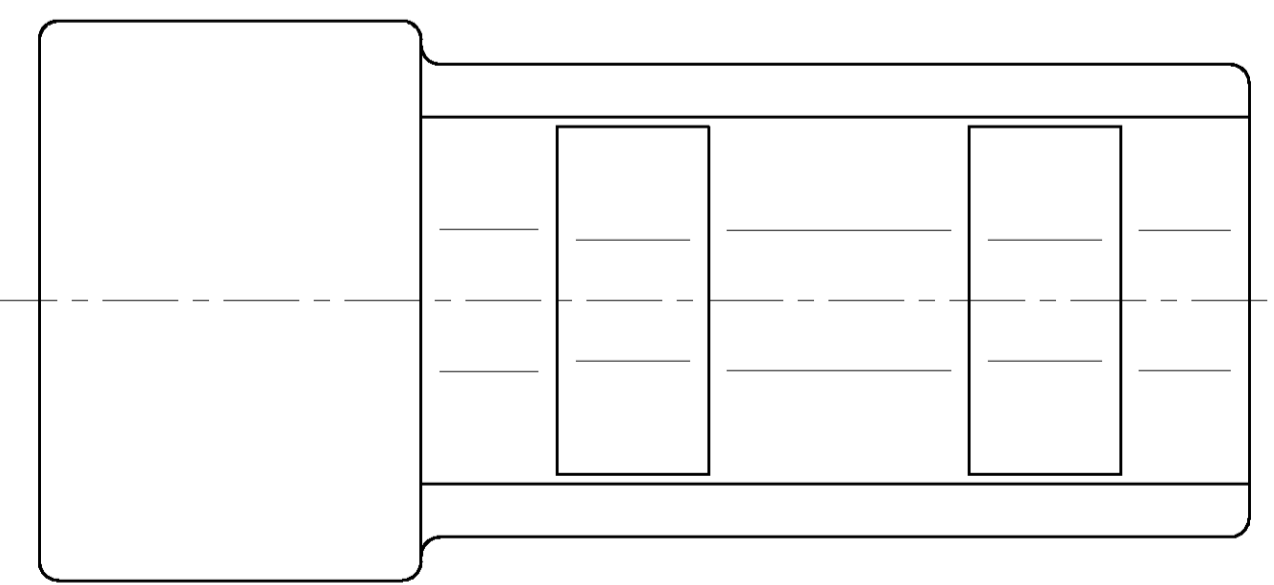


LOC	REV	DATE	DESCRIPTION	DATE	BY	APPV
AI	-					
PROJECT NO.	85-9055		SEE PCN EG00-1060-97-1	29OCT97	Goss.	Kunze
			SEE E-06-003777	15FEB06	C.A.	V.B.



VIEW X
Ansicht X



NOTES:
Bemerkungen:

- HOUSING WITHOUT CLIP 928522
Gehäuse ohne Blechverrastung 928522
- STEEL HOLE 8^{+0.2} x 15^{+0.2}
Blechausschnitt 8^{+0.2} x 15^{+0.2}
- RADII WITHOUT DIMENSIONS 0.5
Unbenannte Radien 0.5
- ALL SHARP EDGES
ALLE scharfen Kanten
- AMP LOGO
AMP Logo
- ORDER NUMBER
Bestell-Nummer
- CAVITY MARKING
Nestmarkierung

ONLY RECOMMENDED CONTACTABLE / Kontakttable					
0-927884-1	0-927885-1	-	0.5-1.0 FLR	CuSn4	PRE TIN PLATED
0-927884-2	0-927885-2	-	0.5-1.0 FLR	CuZn 30	PRE TIN PLATED
0-926980-2	0-926981-2	-	0.5-1.0 FLK	CuZn 30	PRE TIN PLATED
AMP ORDER NUMBER	SEAL	WIRE RANGE	MATERIAL	FINISH	
STRIP FORM	LOOSE PIECE				

(H1)

CUSTOMER PART NO.	AMP PART NO.	REV.	PCS.	MATERIAL	SURFACE COLOR	DESCRIPTION	ITEM NO.
-	0-928521-1	H	1	PA 66	NATURAL	CI II PIN HSG., 9POS.	1

DIMENSIONS / DIMENSIONEN		TOLERANCES UNLESS OTHERWISE SPECIFIED / TOLERANZEN UNLESS ANDERSONS ANGEWENDET		FINISH / OBERFLÄCHE/FARBE	
0 PL	±0.3mm	0 PL	±0.3mm	0 PL	NATURAL
1 PL	±0.3mm	1 PL	±0.3mm	1 PL	NATURAL
2 PL	±0.3mm	2 PL	±0.3mm	2 PL	NATURAL
3 PL	±0.3mm	3 PL	±0.3mm	3 PL	NATURAL

DATE	30OCT95	DESIGNER	H. Boudo
BY	D. Jakobeit	CHECKED	D. Jakobeit
PRODUCT SPEC	CI II PIN HSG., 9POS.	PRODUCT SPEC	CI II Stiftgehäuse, 9pol.
APPLICATION SPEC	CI II Stiftgehäuse, 9pol.	APPLICATION SPEC	CI II Stiftgehäuse, 9pol.
WEIGHT	2.8g	WEIGHT	2.8g
CUSTOMER DRAWING	/KUNDENZEICHNUNG	CUSTOMER DRAWING	/KUNDENZEICHNUNG