
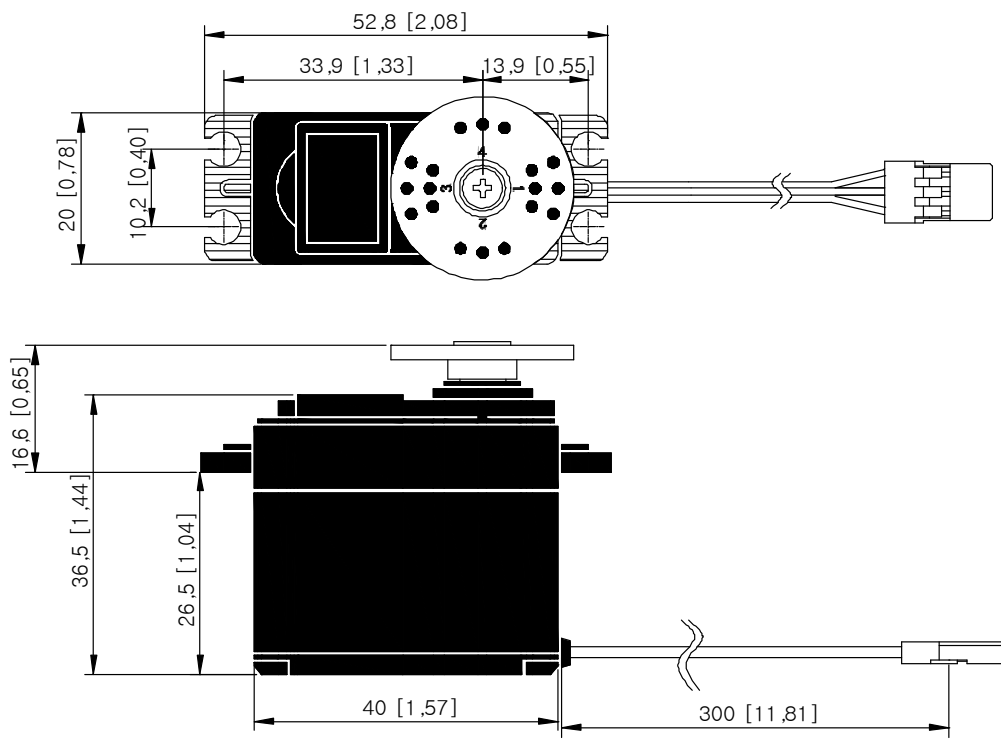


HS-311 General Specification.



STANDARD SERVO

Control system	PWM			-
Position sensor type	Contact Analog Potentiometer			-
Operating voltage range	4.8 ~ 6.0 V			-
Motor type	Cored Metal Brush			-
Voltage	4.8V	6.0V	-	At 25°C, 45% (±10%) measurement environment
No load speed	0.19sec/60°	0.15sec/60°	-	
Stall torque	3.0 kgf·cm(41.66oz·in)	3.7 kgf·cm(51.38oz·in)	-	
Standing current	7.4mA	7.7mA	-	
No load running current	160mA	180mA	-	
Stall current	700mA	800mA	-	
Dead band width	5usec	5usec	-	
Operating travel	40°/One side pulse traveling 400usec			-
Operating temperature range	-20°C ~ +60°C (-4°F ~ +140°F)			-
Vibrations at no load	-			-
Storage temperature range	-30°C ~ +80°C (-31°F ~ +176°F)			-
Connector wire length	300mm(11.81inch)			
Connector wire gauge	24AWG			
Dimensions	40.0 mm x 20.0 mm x 36.5 mm (1.57inch x 0.79inch x 1.44inch)			-
Weight	43.0 g(1.52oz)			-
Ball bearing	Single Resin Bushing			-
Case material	Engineering Plastic			-
Gear material	4 Resin			-
Gear train backlash	Max 0.5°			-
Horn gear spline	24T(Ø6)			-
IP rate	-			-
Servo Amplifier type	Analog Contorller			-
Features	-			-
Applications	-			-



1:1 scale (unit : mm)



<https://hitec.com>