

NOTES:

1. MATERIAL AND FINISHES:
 BODY - BRASS, GOLD PLATING
 CONTACT - BRASS, GOLD PLATING
 SHELL - BRASS, GOLD PLATING
 INSULATOR - PTFE, NATURAL
 RESISTOR - 100 OHM, 0.1 WATT, 1%

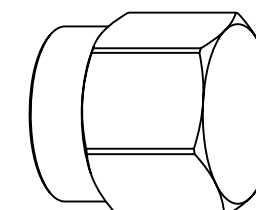
2. ELECTRICAL:
 A. IMPEDANCE: 50 OHM
 B. FREQUENCY RANGE: 0-18 GHz.
 C. VSWR (RETURN LOSS): 1.3 MAX.
 D. POWER RATING: 2 WATT

3. MECHANICAL:
 A. DURABILITY: 500 CYCLES MIN.
 B. TEMPERATURE RANGE: -65°C TO +165°C

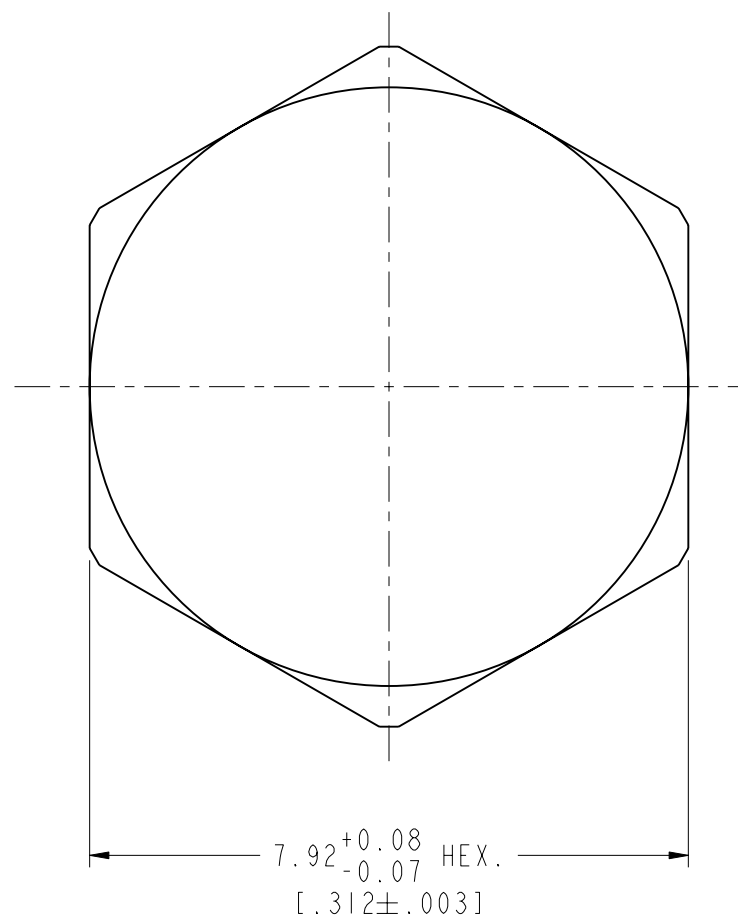
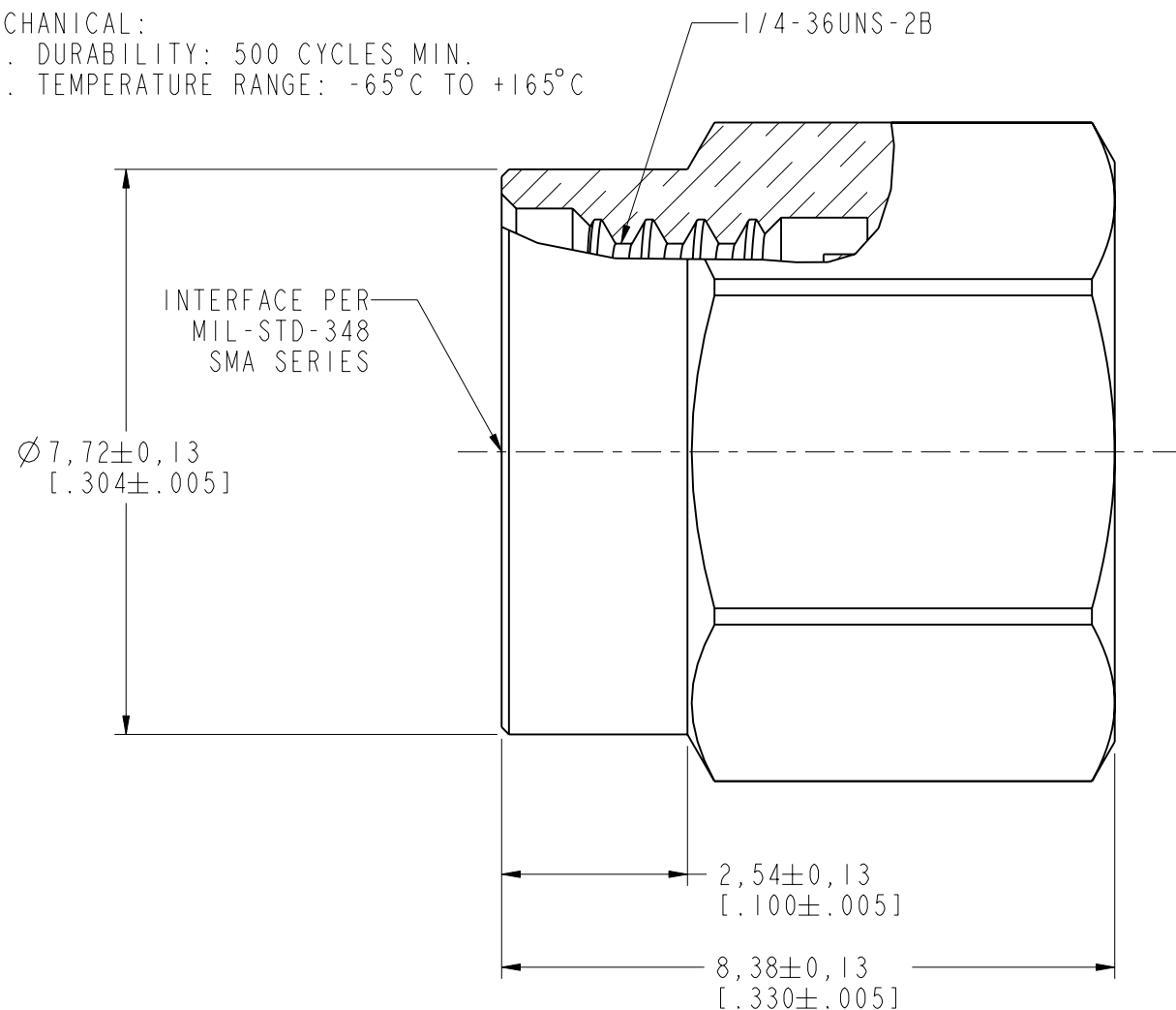
THIRD ANGLE PROJ.

REVISIONS

| REV | DESCRIPTION | DATE | ECO | APPR |
|-----|--|-----------|-------|------|
| NC | INITIAL RELEASE | 10-Nov-03 | ----- | GRS |
| A | UPDATE RESISTOR WATTAGE | 15-Jan-05 | ----- | GRS |
| B | UPDATE THE RESISTOR'S DESCRIPTION | 06-Oct-11 | 2236 | MZ |
| C | THE DESIGN WAS CHANGED | 30-Apr-12 | 2307 | MZ |
| D | ADD RL AND POWER RATING SPECS PER CUSTOMER REQUEST | 15-Jul-14 | 2768 | MZ |



SCALE 3.000



CUSTOMER OUTLINE DRAWING

ALL OTHER SHEETS ARE FOR INTERNAL USE ONLY

UNLESS OTHERWISE SPECIFIED, DIMENSIONS ARE IN METRIC AND TOLERANCES ARE:
 <0.5mm ±0.05mm 0.5 - 6mm ±0.1mm 6 - 30mm ±0.2mm 30 - 120mm ±0.3mm ANGLES ±1°

NOTICE - These drawings, specifications, or other data (1) are, and remain the property of Amphenol corp. (2) must be returned upon request; and (3) are confidential and not to be disclosed to any person other than those to whom they are given by Amphenol Corp. the furnishing of these drawings, specifications, or other data by Amphenol Corp., or to any other person to anyone for any purpose is not to be regarded by implication or otherwise in any manner licensing, granting rights to permitting such holder or any other person to manufacture, use or sell any product, process or design, patented or otherwise, that may in any way be related to or disclosed by said drawings, specifications, or other data.

| | |
|----------------------|-------------------------|
| MATERIAL | - |
| REFERENCE | SMA1005A4-001-3GT5GP-50 |
| CONFIGURATION LEVEL: | |
| FINISH | |

| | | | |
|----------|----------|------|-----------|
| DRAWN | M. ZHANG | DATE | 15-Jul-14 |
| ENGINEER | S. LI | DATE | 15-Jul-14 |
| APPROVED | S. HSIEH | DATE | 15-Jul-14 |
| CAD FILE | | | |

| | |
|----------------------------------|--------------|
| TITLE | |
| SMA TERMINATOR PLUG (50 OHMS) | |
| SCALE: 10.0:1.0 | SHEET 3 OF 3 |
| DWG SIZE | REV |
| B | D |

| | |
|--------------------|--|
| Amphenol Connex | |
| DRAWING NO. | |
| ITEM NO. | |
| PART NO. 132360 | |