

SACC-E-M8FS-4CON-M8/2,5 - Device connector front mounting



1263391

<https://www.phoenixcontact.com/us/products/1263391>

Please be informed that the data shown in this PDF document is generated from our online catalog. Please find the complete data in the user documentation. Our general terms of use for downloads are valid.



Device connector front mounting, 4-position, Socket, straight, M8, Front mounting, M8 x 0.5, Individual wires, cable length: 2.5 m, 0.25 mm², PVC litz wire

Your advantages

- Preassembled with litz wires for immediate use
- Customer-specific assemblies and litz wire lengths available
- Sealed on the litz wire side for optimum leak-tightness
- Standard pin assignments and codings for signal transmission with a uniform design-in design

Commercial data

Item number	1263391
Packing unit	1 pc
Minimum order quantity	100 pc
Note	Made to order (non-returnable)
Sales key	AB22
Product key	ABQIBA
GTIN	4063151374242
Weight per piece (including packing)	48.7 g
Weight per piece (excluding packing)	48.7 g
Customs tariff number	85366990
Country of origin	DE

SACC-E-M8FS-4CON-M8/2,5 - Device connector front mounting



1263391

<https://www.phoenixcontact.com/us/products/1263391>

Technical data

Mounting

Mounting type	Front mounting M8 x 0.5
Connection method	Individual wires

Product properties

Product type	Circular connectors (device side)
Number of positions	4
No. of cable outlets	1
Shielded	no
Coding	A

Insulation characteristics

Overvoltage category	II
Degree of pollution	3

Material specifications

Flammability rating according to UL 94	HB
Seal material	FKM
Contact material	CuSn
Contact surface material	Au
Contact carrier material	PA 6.6
Material for screw connection	Brass, nickel-plated
Conductor material	Tin-plated Cu litz wires

Electrical properties

Rated surge voltage	1.5 kV
Contact resistance	$\leq 3 \text{ m}\Omega$
Insulation resistance	$\geq 100 \text{ M}\Omega$
Nominal voltage U_N	48 V AC
	60 V DC
Nominal current I_N	4 A
Max. conductor resistance	80 Ω/km

Connection data

Conductor connection

Connection method	Individual wires
Tightening torque	0.8 Nm
	1 Nm

Connector

SACC-E-M8FS-4CON-M8/2,5 - Device connector front mounting



1263391

<https://www.phoenixcontact.com/us/products/1263391>

Connection 1

Head design	Socket
Head cable outlet	straight
Head thread type	M8

Cable/line

Cable length	2.5 m
Cable type	PVC litz wire
Wire diameter incl. insulation	1.5 mm ±0.1 mm
Single wire, color	brown, white, blue, black
Conductor material	Tin-plated Cu litz wires
Conductor structure signal line	7x 0.20 mm
AWG signal line	24
Material wire insulation	PVC / UL
Thickness, insulation	0.21 mm
Nominal voltage, cable	300 V
Test voltage, cable	2000 V AC
Cable resistance	≥ 80 Ω/km
Cable insulation resistance	≥ 20 MΩ*km
Ambient temperature (operation)	-40 °C ... 105 °C (cable, fixed installation) -10 °C ... 105 °C (Cable, flexible installation)

Environmental and real-life conditions

Ambient conditions

Degree of protection	IP67 IP67
Ambient temperature (operation)	-25 °C ... 85 °C (Plug / socket) -40 °C ... 105 °C (cable, fixed installation) -10 °C ... 105 °C (Cable, flexible installation)

Standards and regulations

M8

Standard designation	M8 connector
Standards/specifications	IEC 61076-2-104

SACC-E-M8FS-4CON-M8/2,5 - Device connector front mounting

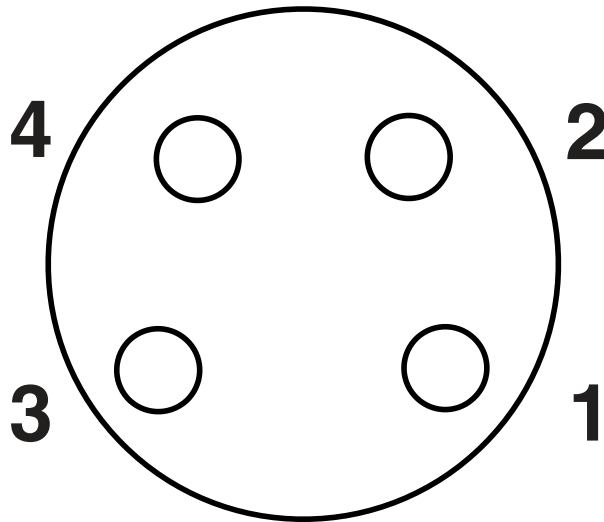


1263391

<https://www.phoenixcontact.com/us/products/1263391>

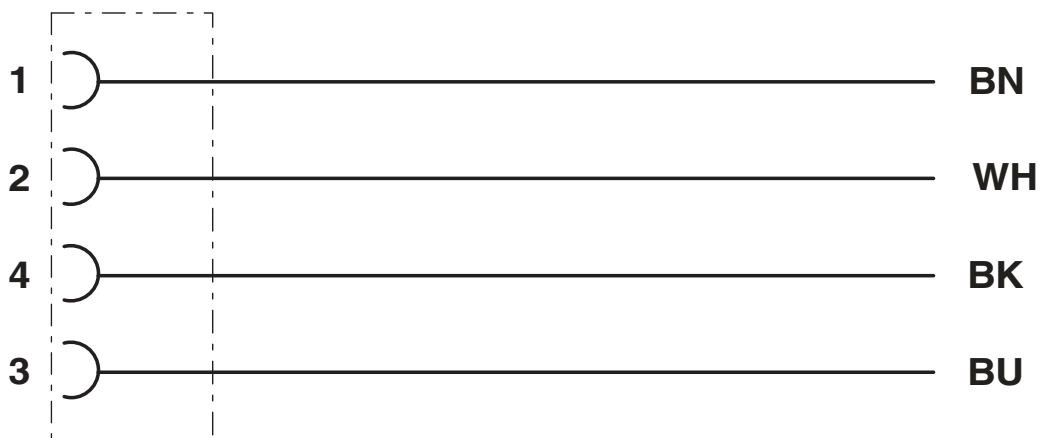
Drawings

Schematic diagram



Pin assignment M8 socket, 4-pos., view female side

Circuit diagram

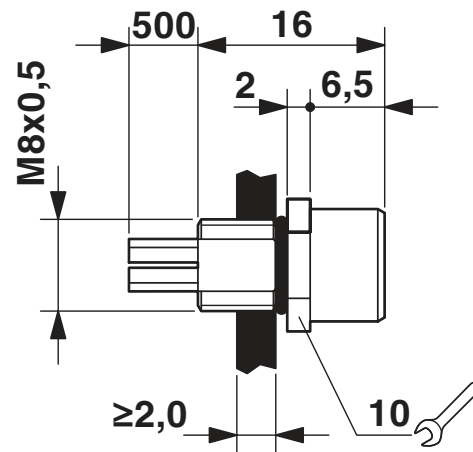


SACC-E-M8FS-4CON-M8/2,5 - Device connector front mounting

1263391

<https://www.phoenixcontact.com/us/products/1263391>

Dimensional drawing



Dimensional drawing

SACC-E-M8FS-4CON-M8/2,5 - Device connector front mounting



1263391

<https://www.phoenixcontact.com/us/products/1263391>

Classifications

ECLASS

ECLASS-11.0	27440102
ECLASS-12.0	27440116
ECLASS-13.0	27440116

ETIM

ETIM 8.0	EC002635
----------	----------

UNSPSC

UNSPSC 21.0	39121400
-------------	----------

SACC-E-M8FS-4CON-M8/2,5 - Device connector front mounting



1263391

<https://www.phoenixcontact.com/us/products/1263391>

Environmental product compliance

REACH SVHC	Lead 7439-92-1
	4,4'-isopropylidenediphenol (BPA) 80-05-7
	Terphenyl, hydrogenated 61788-32-7
China RoHS	Environmentally Friendly Use Period = 50 years
	For information on hazardous substances, refer to the manufacturer's declaration available under "Downloads"

SACC-E-M8FS-4CON-M8/2,5 - Device connector front mounting



1263391

<https://www.phoenixcontact.com/us/products/1263391>

Accessories

SACC-E-MU-M8X0,5 - Flat nut

1504071

<https://www.phoenixcontact.com/us/products/1504071>

Flat nut, Screw mounting, M8 x 0.5, Item is lead-free in accordance with RoHS II without Exemption 6c (Pb <0.1%)



Phoenix Contact 2023 © - all rights reserved
<https://www.phoenixcontact.com>

Phoenix Contact USA
586 Fulling Mill Road
Middletown, PA 17057, United States
(+717) 944-1300
info@phoenixcon.com