

4

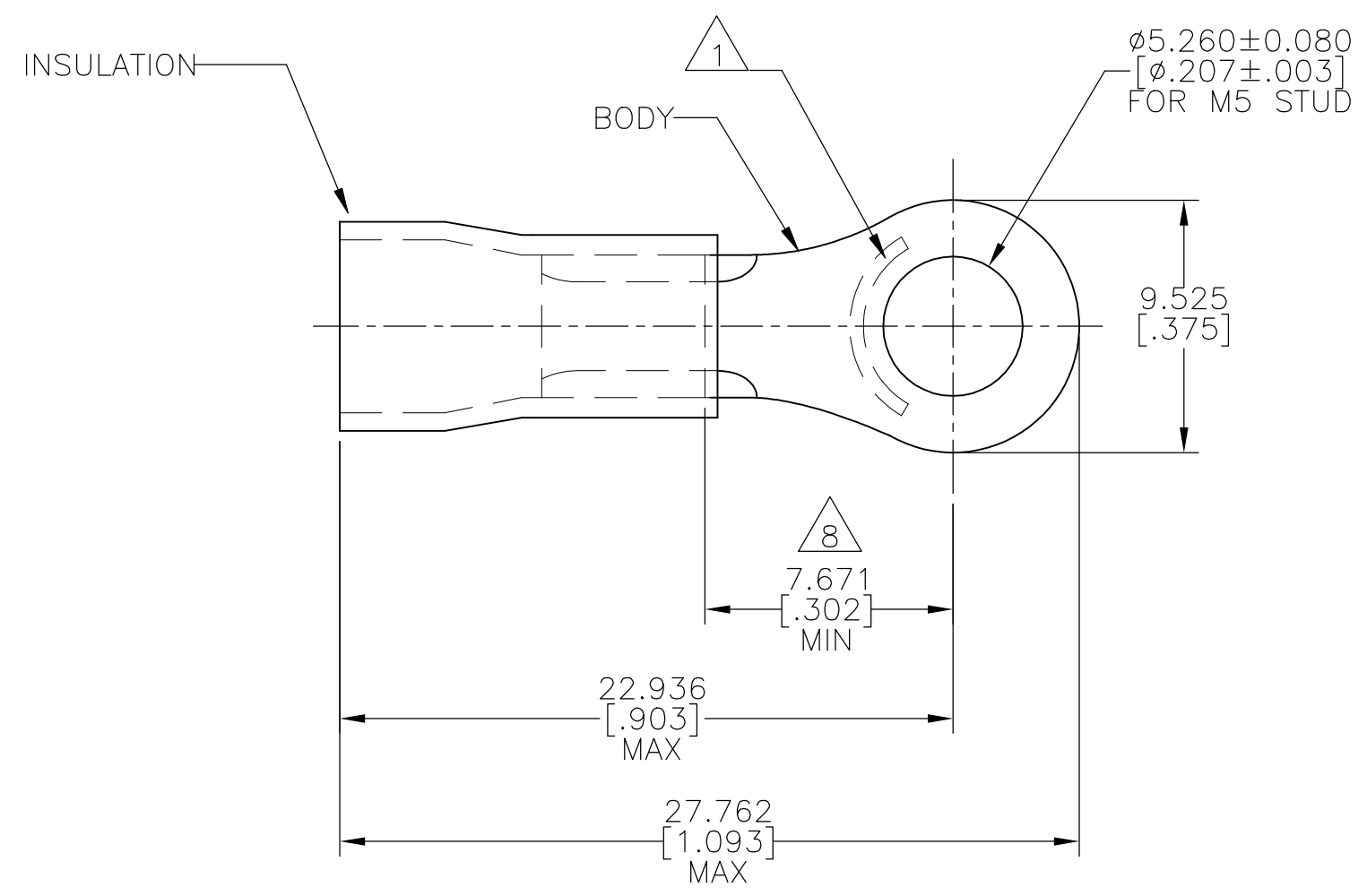
3

2

1

THIS DRAWING IS UNPUBLISHED. RELEASED FOR PUBLICATION
 © COPYRIGHT - TE Connectivity Ltd. ALL RIGHTS RESERVED.

REVISIONS				
P	LTR	DESCRIPTION	DATE	APVD
A		REV PER ECR 08-028314	19NOV08	JR TM
A1		REVISED PER ECO-17-014338	15MAY2018	RS DR



- 1 STAMP "AMP 12-10*", LOCATION APPROX AS SHOWN.
- 2 WIRE INSULATION DIA 3.810-6.350 [.150-.252]
- 3 OPERATING TEMPERATURE 105°C [221°F] MAX
- 4 VOLTAGE RATING 600V MAX
- 5 CMA 2.62-6.64mm² [5,180-13,100]
- 6 MATERIAL:
BODY - COPPER PER ASTM B-152
INSULATION - PVC
- 7 FINISH:
BODY - TIN PL PER ASTM B-545
INSULATION - COLOR-YELLOW
- 8 APPLIES FROM EDGE OF METAL WIRE BARREL TO CENTER OF STUD HOLE.
- 9 BODY MATERIAL THICKNESS IS 0.991 ± 0.051 [.039 ± .002]

500	LOOSE PIECE	160292
QTY	PACKAGE TYPE	PART NO

THIS DRAWING IS A CONTROLLED DOCUMENT.		DWN jr ruth 19NOV08	TE Connectivity Ltd.				
DIMENSIONS: mm [INCHES]		CHK T MICHIELUTTI 19NOV08					
 TOLERANCES UNLESS OTHERWISE SPECIFIED: 0 PLC ± - 1 PLC ± - 2 PLC ± - 3 PLC ± 0.127 [.005] 4 PLC ± - ANGLES ± 5°		APVD T MICHIELUTTI 19NOV08	NAME TERMINAL RING TONGUE, PLASTI-GRIP, WIRE SIZE 12-10 AWG				
		PRODUCT SPEC -	APPLICATION SPEC 114-2161	SIZE A3	CAGE CODE 00779	DRAWING NO 160292	RESTRICTED TO -
MATERIAL -	FINISH -	WEIGHT	CUSTOMER DRAWING		SCALE 4:1	SHEET 1 OF 1	REV A1