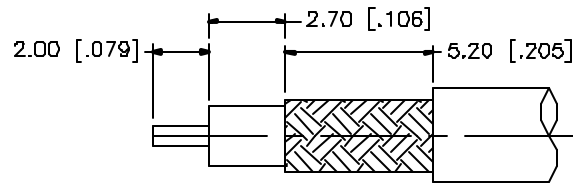
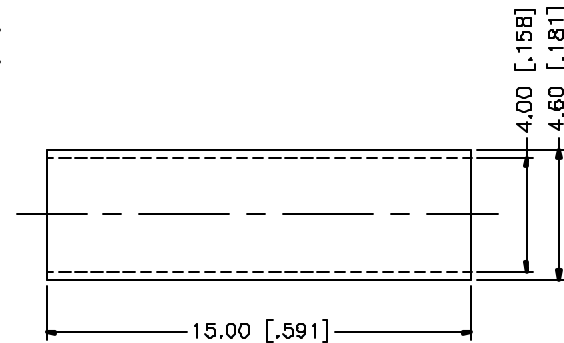
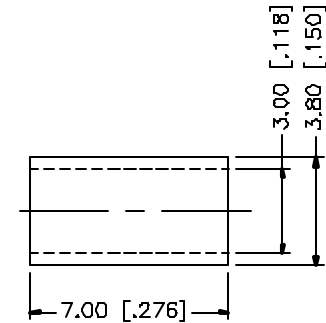
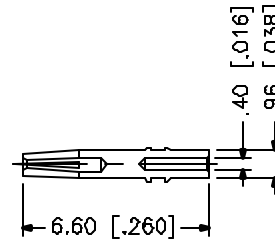
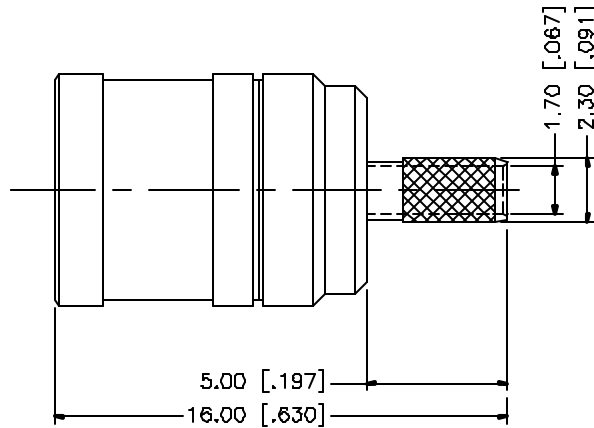


REV.	DATE	DESCRIPTION
A	01/14/04	UPDATE DRAWING FORMAT



RECOMMENDED
CABLE STRIPPING DIM'S



NOTE:

1. CRIMPED FERRULE
HEX CRIMP SIZE .128"
2. CONTACT PIN TO SOLDER.

B					UNLESS OTHERWISE SPECIFIED DIMENSIONS ARE IN MILLIMETERS. DIMENSIONS IN () ARE IN INCHES AND FOR CUSTOMER REFERENCE ONLY.	APPROVALS	DATE	Amphenol Connex				
7					UNLESS OTHERWISE SPECIFIED TOLERANCES FOR MILLIMETERS ARE: 0.5 - 8mm ± 0.20mm 8 - 30mm ± 0.40mm 30 - 120mm ± 0.50mm	DRAWN	G.R.S.					01/14/04
6	HEAT SHRINK TUBE		BLACK	1	UNLESS OTHERWISE SPECIFIED TOLERANCES FOR INCHES ARE: .020 - .315 = ± 0.007" .315 - 1.180 = ± 0.015" 1.180 - 4.724 = ± 0.020"	CHECKED			PART NO. 142103			
5	FERRULE	COPPER	GOLD	1	DO NOT SCALE DRAWING	ISSUED						
4	CONTACT PIN	BER. COPPER	GOLD	1		SHEET	1 OF 1		REV. A			
3	INSULATOR	TEFLON	NATURAL	1								
2	BODY	BRASS	GOLD	1					SCALE NA			
1	DESCRIPTION	MATERIAL	FINISH	QTY		CAD FILE	C:/142/142103.DWG					