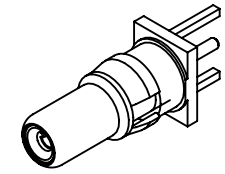
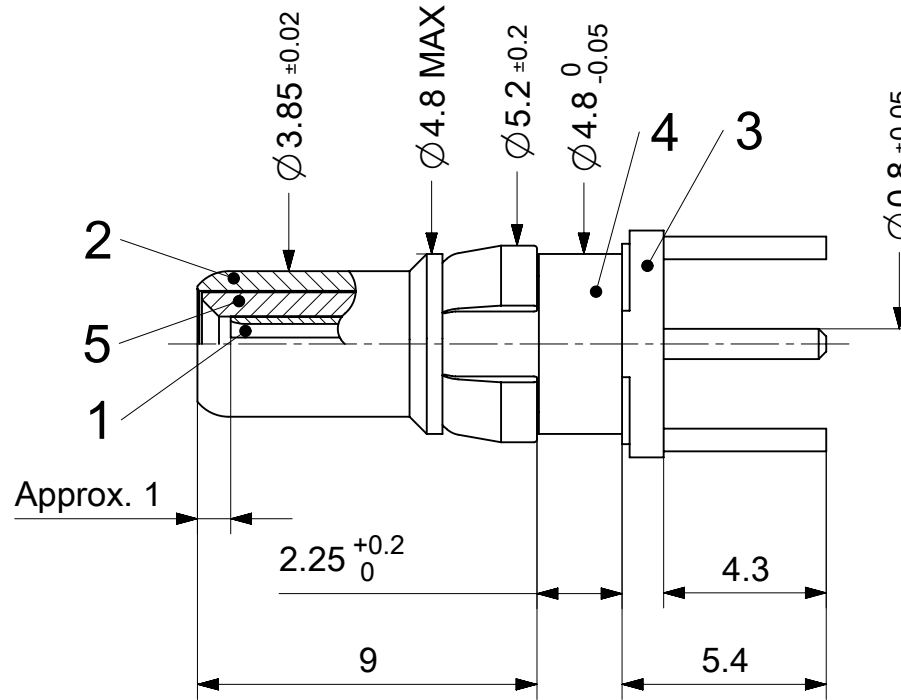
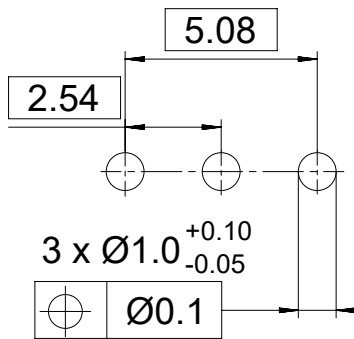


PCB-Layout



RoHS compliant
by exemption

1731120827	FME010P101	101
1731120048	FME010P102	102
1731121068	FME010P202	202
Material Number	FCT Part Number	Material + Finish See extra sheet

UNLESS OTHERWISE SPECIFIED DIMENSIONS FOR REFERENCE ONLY				REPLACEMENT FOR DOCUMENT NUMBER: FME010P						
THIS DRAWING CONTAINS INFORMATION THAT IS PROPRIETARY TO MOLEX ELECTRONIC TECHNOLOGIES, LLC AND SHOULD NOT BE USED WITHOUT WRITTEN PERMISSION										
FUNCTIONAL SYMBOLS	DIMENSION UNITS	SCALE	CURRENT REV DESC: 11393							
$\nabla_A = 0$	mm	5:1	EC NO: 750967 DRWN: MTEUBEL 2023/05/25 CHK'D: FVETTER 2023/05/26 APPR: FVETTER 2023/05/26							
$\nabla_E = 0$	GENERAL TOLERANCES (UNLESS SPECIFIED)									
$\nabla_P = 0$	ANGULAR TOL ± °									
DIVISIONAL SYMBOLS										
	4 PLACES	±	INITIAL REVISION: DRWN: VLOKESHA 2021/04/16 APPR: FVETTER 2022/06/13							
	3 PLACES	±								
	2 PLACES	±								
	1 PLACE	±								
	0 PLACES	±	DOCUMENT NUMBER		DOC TYPE		DOC PART	REVISION		
DRAFT WHERE APPLICABLE MUST REMAIN WITHIN DIMENSIONS			FIRST ANGLE PROJECTION		DRAWING		SERIES	MATERIAL NUMBER	CUSTOMER	SHEET NUMBER
					A4-SIZE		173112	SEE TABLE	GENERAL MARKET	1 OF 1
				FCT 50 OHM COAXIAL CONTACT FOR D-SUB						
				PRODUCT CUSTOMER DRAWING						
				1731120827		PSD		000	B	