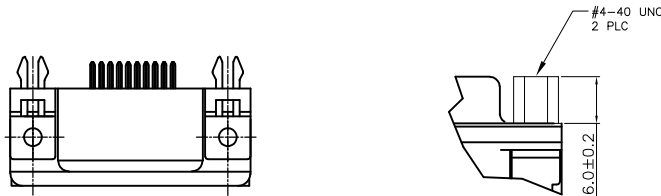
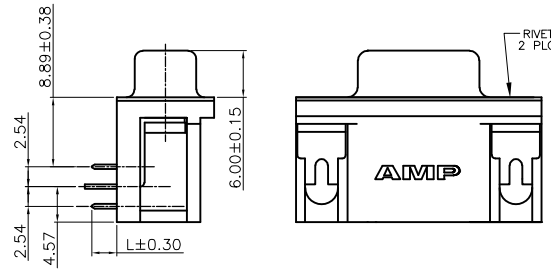
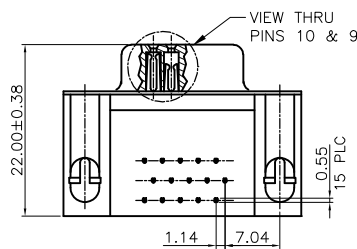
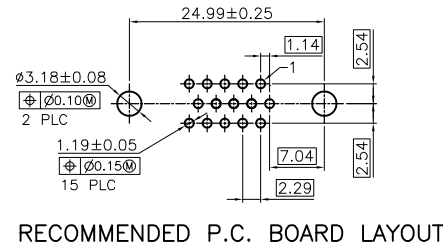
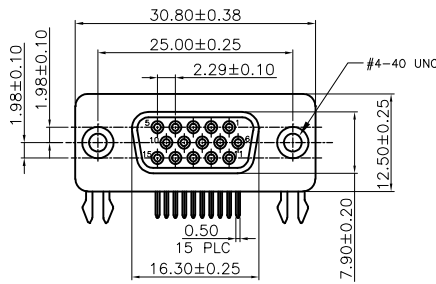


P	LTR	DESCRIPTION	DATE	DWN	APVD
	B1	REVISED PER ECO-11-005301	07MAR11	RK	HMR

NOTES:

- MATERIAL:
 - 1.1 HOUSING: UL94V-0; COLOR: SEE TABLE.
 - ▲: NY9T, THERMOPLASTIC, HIGH TEMP.
 - ▲: PBT, THERMOPLASTIC.
 - 1.2 CONTACTS: PHOSPHOR BRONZE
 - 1.3 SHELL: SPCC
 - 1.4 BOARDLOCK: BRASS
 - 1.5 RIVET: BRASS
- FINISH:
 - 2.1 CONTACT:
 - GOLD PLATING ON CONTACT AREA,
 - 100µ" MIN. MATTE TIN PLATING ON SOLDERTAIL,
 - 50µ" MIN. NICKEL UNDERPLATED OVERALL.
 - 2.2 BOARDLOCK:
 - 100µ" MIN. TIN PLATING
 - 50µ" MIN. NICKEL UNDERPLATED OVERALL.
 - 2.3 SHELL: 50µ" MIN. NICKEL PLATING OVERALL.
 - 2.4 RIVET: NICKEL PLATING OVERALL.
- RECOMMENDED PCB THICKNESS: 1.6mm
- WAVE SOLDER CAPABLE TO 265°C PER TE CONNECTIVITY SPEC. 109-202, CONDITION B.



DETAIL Z
(W/SCREWLOCKS OPTION)

STATUS	DESCRIPTION	QTY	UNIT	FINISH	FASTENER	PART NUMBER
OBsolete	300U BLUE	3.20	TRAY	10µ"	RIVET, THREADED W/O SCREW	5-1734344-3
OBsolete	300U BLUE	3.70	TRAY	30µ"	RIVET, THREADED W/O SCREW	2-1734344-4
OBsolete	300U BLUE	3.20	TRAY	30µ"	RIVET, THREADED W/O SCREW	2-1734344-3
OBsolete	661C BLUE	2.67	TRAY	30µ"	RIVET, THREADED W/O SCREW	2-1734344-2
OBsolete	661C BLUE	2.67	TRAY	G/F	W/FEMALE SCREWLOCKS (DETAIL Z)	1-1734344-2
OBsolete	300U BLUE	3.20	TRAY	G/F	W/FEMALE SCREWLOCKS (DETAIL Z)	1-1734344-1
OBsolete	BLACK	2.67	TUBE	15µ"	W/FEMALE SCREWLOCKS (DETAIL Z)	1734344-5
OBsolete	300U BLUE	3.20	TUBE	10µ"	RIVET, THREADED W/O SCREW	1734344-4
OBsolete	300U BLUE	3.20	TRAY	10µ"	RIVET, THREADED W/O SCREW	1734344-3
OBsolete	661C BLUE	2.67	TRAY	G/F	RIVET, THREADED W/O SCREW	1734344-2
OBsolete	300U BLUE	3.20	TRAY	G/F	RIVET, THREADED W/O SCREW	1734344-1
	HSG RESIN	PANTONE COLOR	'L'	PACKAGING	GOLD PLATING	FASTENER OPTION
						PART NUMBER

THIS DRAWING IS A CONTROLLED DOCUMENT.

DWN: J. LEE 16JAN2006
 CHK: S. HOU 16JAN2006
 APVD: W.J. KE 16JAN2006

TE Connectivity

RCPT ASM, SZ 1, 15 POSN, RT ANG, FRONT METAL, SHELL AMPLIMITE HD-22

108-57541
 501-57623

SIZE: A3 CAGE CODE: 00779 DRAWING NO: C-1734344 RESTRICTED TO: /

WEIGHT: 9.0g/PCS(W/ SCREW) 11.1g/PCS(W/O SCREW)

CUSTOMER DRAWING SCALE: - SHEET: 1 OF 3 REV: B1

THIS DRAWING IS UNPUBLISHED.

RELEASED FOR PUBLICATION

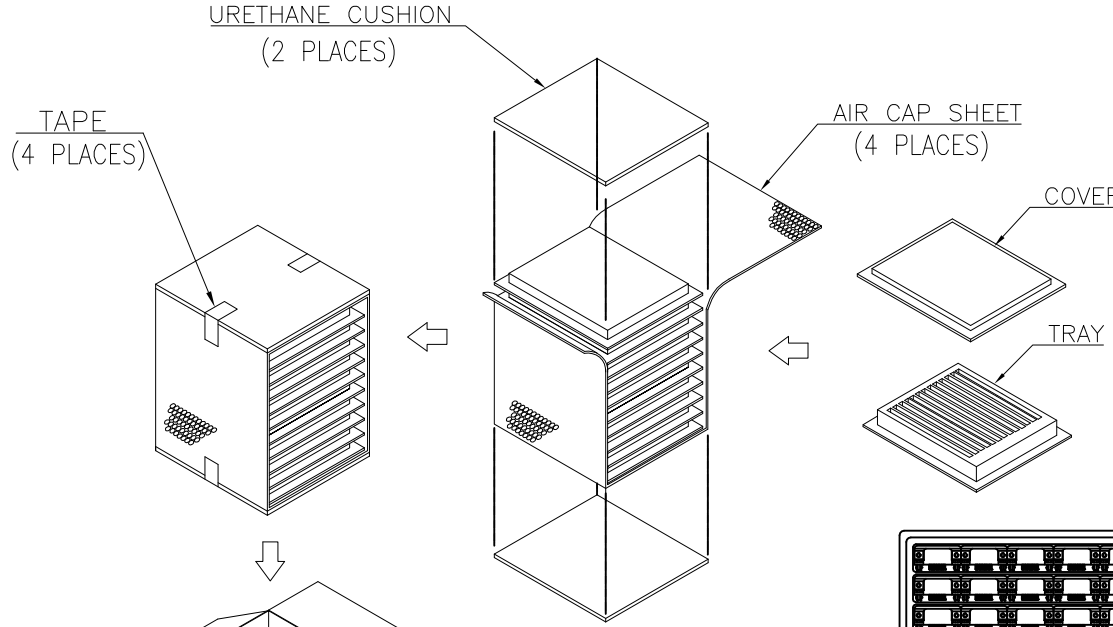
ALL RIGHTS RESERVED.

© COPYRIGHT - BY -

LOC DW DIST

REVISIONS

P	LTR	DESCRIPTION	DATE	DWN	APVD
-	-	SEE SHEET 1.	-	-	-



TAPE (4 PLACES)

URETHANE CUSHION (2 PLACES)

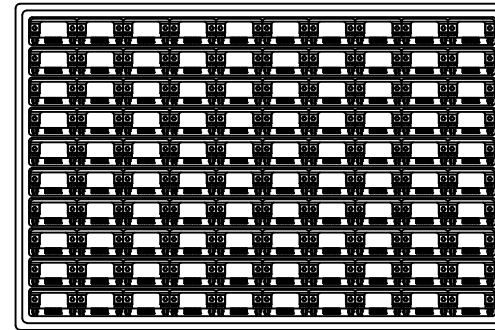
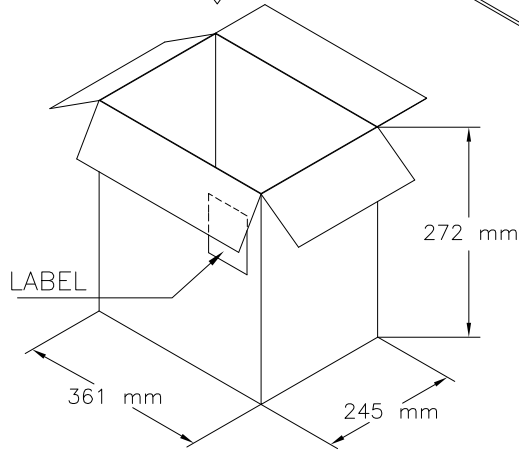
AIR CAP SHEET (4 PLACES)

COVER

TRAY

NOTES:

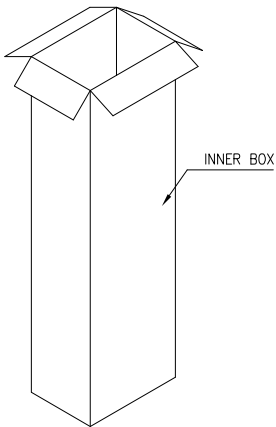
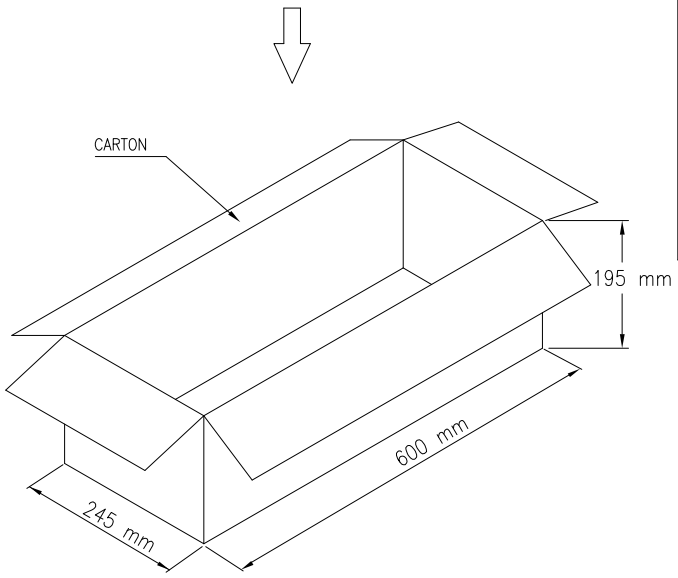
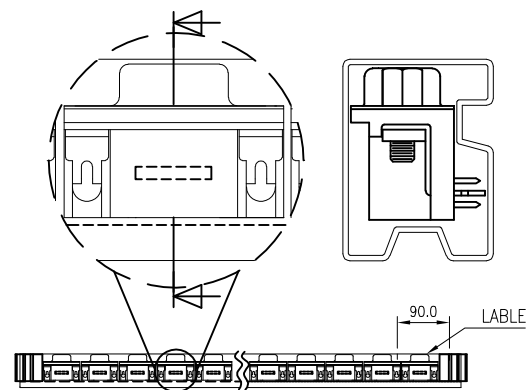
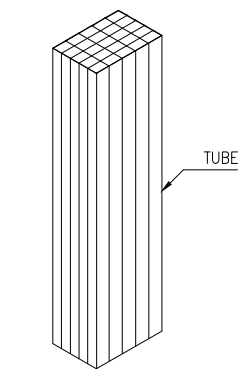
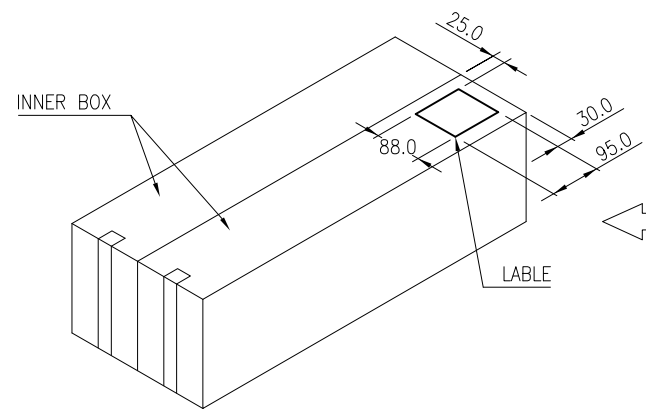
1. MATERIAL:
 - 1.1 TRAY: PVC
 - 1.2 SHIPPING CARTON: CORRUGATED FIBERBOARD
2. DIMENSION:
 - 2.1 TRAY: L=320, W=230, H=18.9
 - 2.2 SHIPPING CARTON: L=361, W=245, H=272
3. QUANTITY:
 - 3.1 PRIMARY PACKING: 100 PCS/TRAY
 - 3.2 SECONDARY PACKING: 10 TRAY/CARTON(1000PCS)
4. CARTON WEIGHT:
 - 4.1 W/O SCREWLOCK
 - NET WEIGHT: 8.24 Kg
 - GROSS WEIGHT: 9.24 Kg
 - 4.2 WITH SCREWLOCK
 - NET WEIGHT: 10.24 Kg
 - GROSS WEIGHT: 11.24 Kg



THIS DRAWING IS A CONTROLLED DOCUMENT.		DWN	STE TE Connectivity			
		CHK				
DIMENSIONS: MM		APVD	NAME			
		PRODUCT SPEC	RCPT ASM, SZ 1, 15 POSN, RT ANG, FRONT METAL, SHELL AMPLIMITE HD-22			
		APPLICATION SPEC				
MATERIAL		WEIGHT	SIZE	CAGE CODE	DRAWING NO	RESTRICTED TO
FINISH		-	A3	00779	©=1734344	-
CUSTOMER DRAWING			SCALE	SHEET	REV	
			-	2 OF 3	B1	

THIS DRAWING IS UNPUBLISHED. RELEASED FOR PUBLICATION
 © COPYRIGHT - BY - ALL RIGHTS RESERVED.

LOC	DIST	REVISIONS			
P	LTR	DESCRIPTION	DATE	DWN	APVD
-	-	SEE SHEET 1.	-	-	-



NOTES:

- MATERIAL:
 - 1.1 TRAY: PVC
 - 1.2 SHIPPING CARTON: CORRUGATED FIBERBOARD
- DIMENSION:
 - 2.1 TRAY: L=560, W=17.8, H=27.4
 - 2.2 SHIPPING CARTON: L=600, W=245, H=195
- QUANTITY:
 - 3.1 PRIMARY PACKING: 17 PCS/TUBE
 - 3.2 SECONDARY PACKING: 25 TUPE/BOX
 - 3.3 THIRD PACKING: 2 BOX/CARTON(850PCS)
- CARTON WEIGHT:
 - 4.1 W/O SCREWLOCK
NET WEIGHT: 8.24 Kg
GROSS WEIGHT: 9.24 Kg
 - 4.2 WITH SCREWLOCK
NET WEIGHT: 10 Kg
GROSS WEIGHT: 11 Kg

THIS DRAWING IS A CONTROLLED DOCUMENT.		DWN		TE Connectivity	
DIMENSIONS: MM		CHK			
DIMENSIONS: MM 		TOLERANCES UNLESS OTHERWISE SPECIFIED:		NAME	
0 PLC ± -		1 PLC ± -		RCPT ASM, SZ 1, 15 POSN, RT ANG, FRONT METAL, SHELL AMPLIMITE HD-22	
2 PLC ± -		3 PLC ± -		SIZE	
4 PLC ± -		ANGLES ± -		CAGE CODE	
MATERIAL		FINISH		DRAWING NO	
				A3 00779 C-1734344	
				RESTRICTED TO	
				SCALE	
				SHEET 3 of 3	
				REV B1	
				CUSTOMER DRAWING	