

Accessories

R95-107



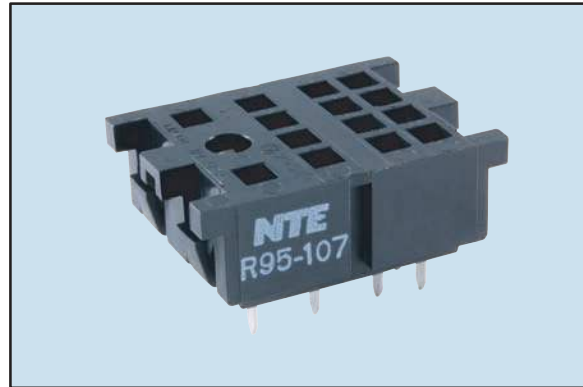
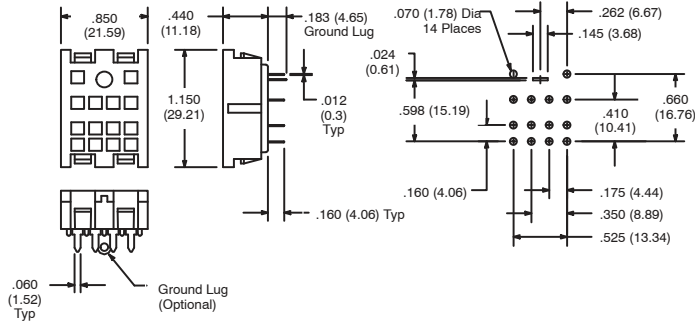
14-Pin Blade Socket

Features

- PC Board Mount
- Hold down clip supplied with socket, also available separately (R95-001)

Electrical Rating:

300 Volts, 10 Amps



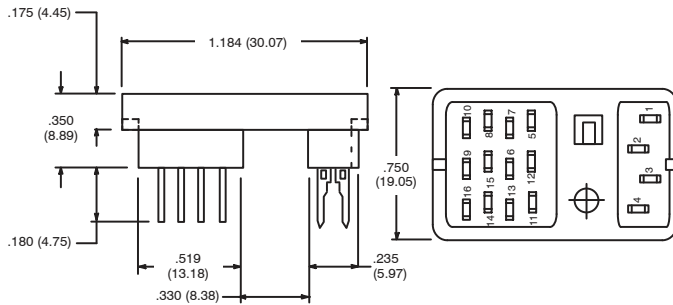
R95-108

Features

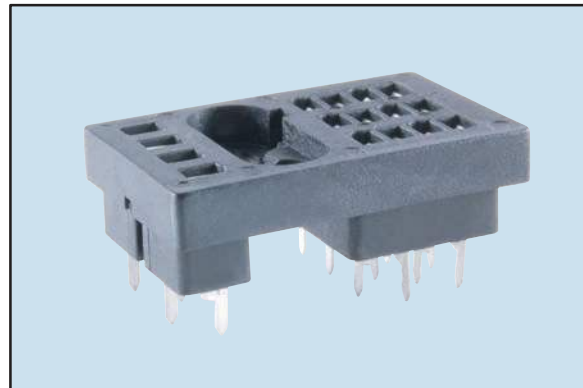
- PC Board Mount

Electrical Rating:

1000 Volts, 10 Amps



16-Pin Blade Socket



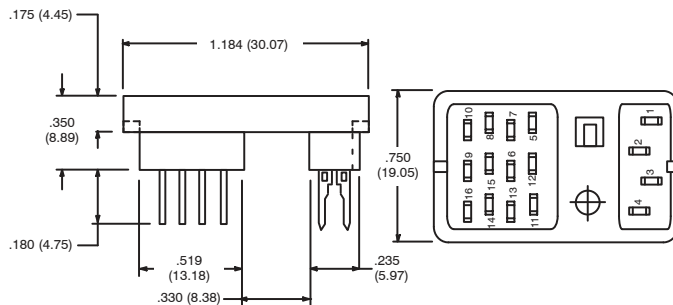
R95-109

Features

- Panel Mount
- Solder Terminals

Electrical Rating:

1000 Volts, 10 Amps



16-Pin Blade Socket

