*Totally Logical*

## Z8927301ZAC

Z89273 ACCESSORY KIT

### GENERAL DESCRIPTION

The Z8927301 Accessory Kit is specifically designed to enable the Z8932301ZEM Emulator to perform in-circuit emulation of 44-lead PLCC devices.

### SUPPORTED DEVICES

| Packages    | In-Circuit Emulation |
|-------------|----------------------|
| 44-pin PLCC | Z89273               |

### SPECIFICATIONS

#### Operating Temperature

20°C, ±10°C

#### Operating Humidity

10%–90% RH (noncondensing)

### PACKAGE CONTENTS

#### Hardware

Z89223 44-PLCC Emulation Pod w/ cable (93C0056-001)

Z89323 Emulation Pod Adapter (99C0605-001)

#### Documentation

Data Sheet

#### Additional Items Required (Not Supplied)

Z8932301ZEM Emulator

DSP ICE GUI Software, version C3.12A or later

## EMULATION POD INSTALLATION PROCEDURE

1. Ensure that all the necessary emulator hardware and software is properly installed. Turn off all power associated with the emulator and target application.
2. Line up the sockets on the Emulation Pod Adapter with the header pins on the Z8932301ZEM. Place JP2 on the adapter over JP2 on the emulator board, and JP3 over JP3, respectively. Press the adapter firmly down into place.
3. Plug the Emulation Pod cable into the Yamaichi 40x2 pin connectors on the Emulation Pod Adapter. Next, plug the cable from P4 on the emulator pod into P2 on the adapter. Finally, plug the cable from P3 on the emulator pod into P1 on the adapter.
4. Line up pin1 on the emulator pod with pin 1 on the target application socket. Insert the pod into the socket.
5. Power up the emulator, then press the RESET button.
6. Power up the target application.
7. Open the Debug and the DSP Code Memory Windows.
8. Select the File menu to download the application or object code to be executed during emulation.
9. Begin emulation by pressing the GO button in the GUI Debug window.
10. After successful emulation, first power down the target application board.
11. Remove the emulation pod from the target.
12. Power down the emulator.

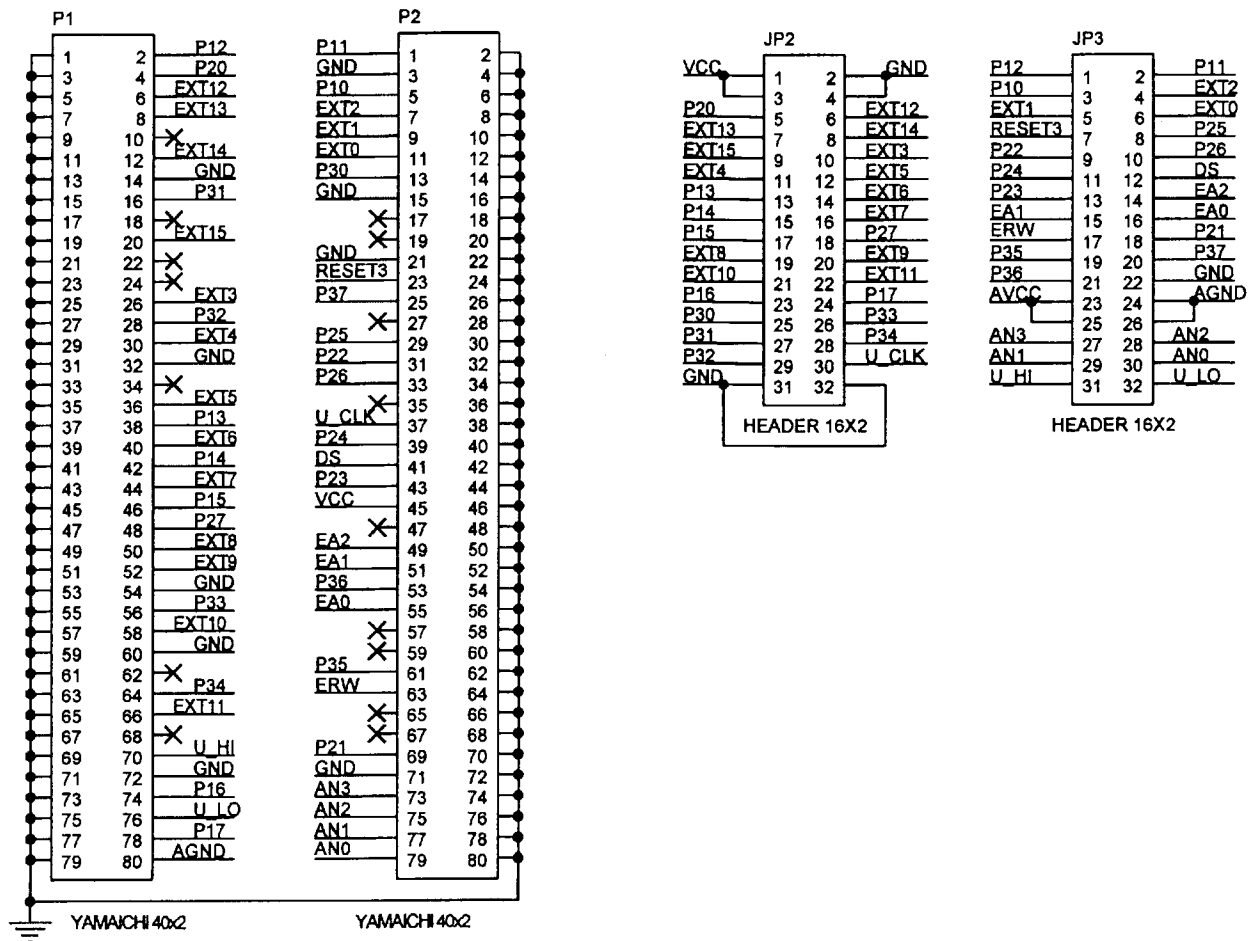


Figure 1. Schematic for Z89323 Emulation Pod Adapter

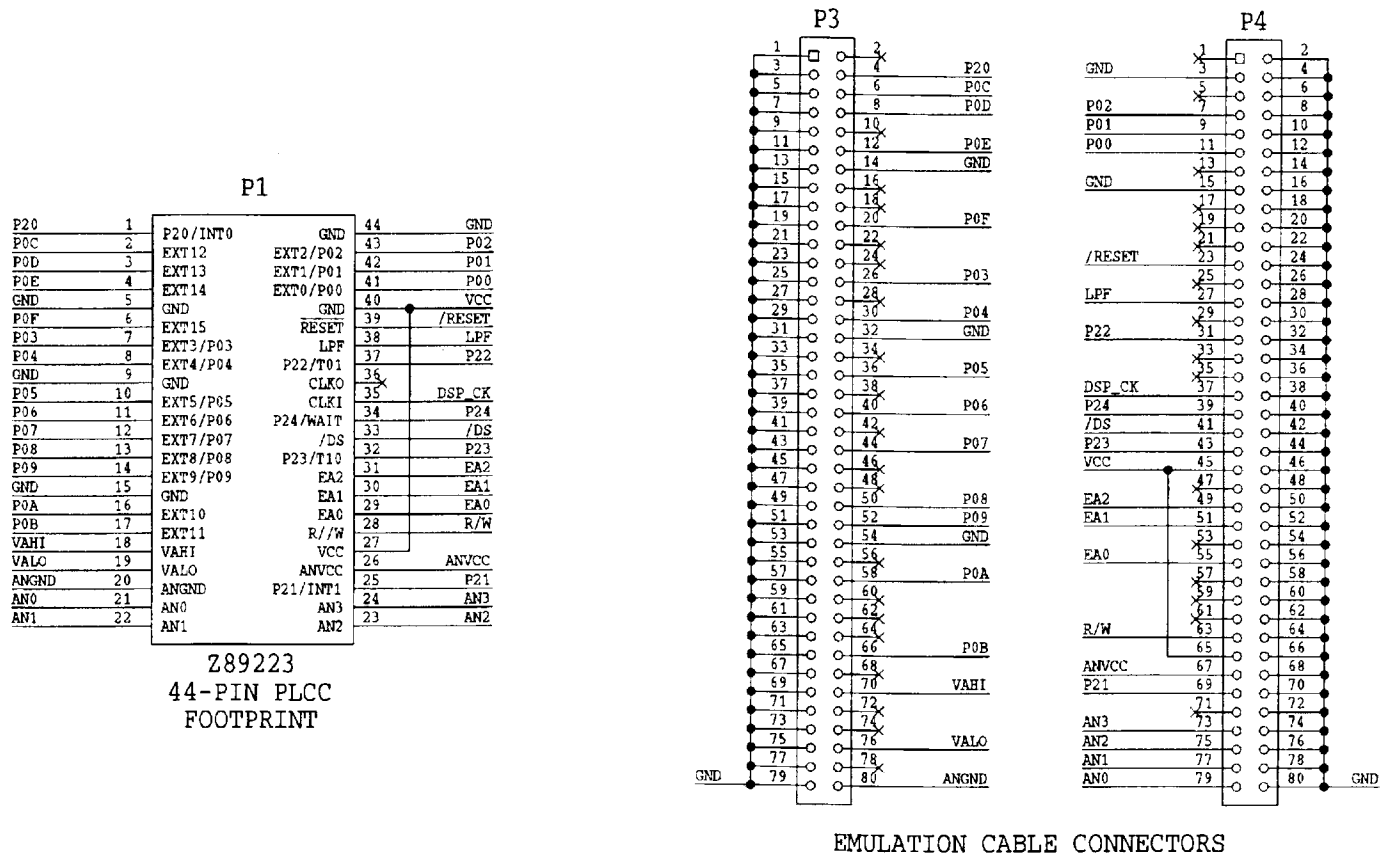


Figure 2. Schematic for Z89223 44-PLCC Emulation Pod

© 1998 by ZiLOG, Inc. All rights reserved. No part of this document may be copied or reproduced in any form or by any means without the prior written consent of ZiLOG, Inc. The information in this document is subject to change without notice. Devices sold by ZiLOG, Inc. are covered by warranty and patent indemnification provisions appearing in ZiLOG, Inc. Terms and Conditions of Sale only.

ZILOG, INC. MAKES NO WARRANTY, EXPRESS, STATUTORY, IMPLIED OR BY DESCRIPTION, REGARDING THE INFORMATION SET FORTH HEREIN OR REGARDING THE FREEDOM OF THE DESCRIBED DEVICES FROM INTELLECTUAL PROPERTY INFRINGEMENT. ZILOG, INC. MAKES NO WARRANTY OF MERCHANTABILITY OR FITNESS FOR ANY PURPOSE.

ZiLOG, Inc. shall not be responsible for any errors that may appear in this document. ZiLOG, Inc. makes no commitment to

update or keep current the information contained in this document.

ZiLOG's products are not authorized for use as critical components in life support devices or systems unless a specific written agreement pertaining to such intended use is executed between the customer and ZiLOG prior to use. Life support devices or systems are those which are intended for surgical implantation into the body, or which sustains life whose failure to perform, when properly used in accordance with instructions for use provided in the labeling, can be reasonably expected to result in significant injury to the user.

ZiLOG, Inc.  
910 East Hamilton Avenue, Suite 110  
Campbell, CA 95008  
Telephone (408) 558-8500  
FAX 408 558-8300  
Internet: <http://www.zilog.com>

---