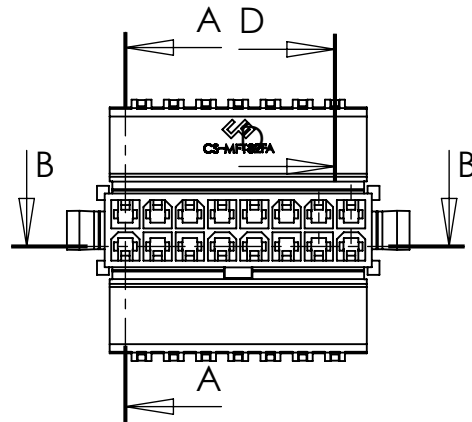
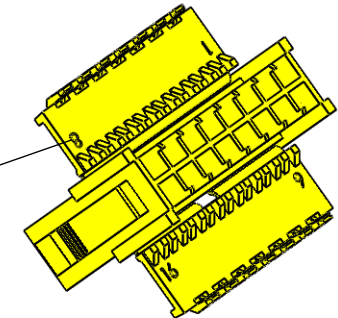
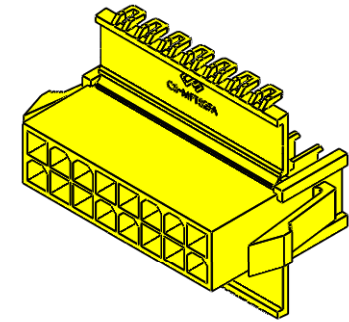


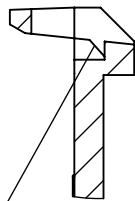
SEZIONE A-A



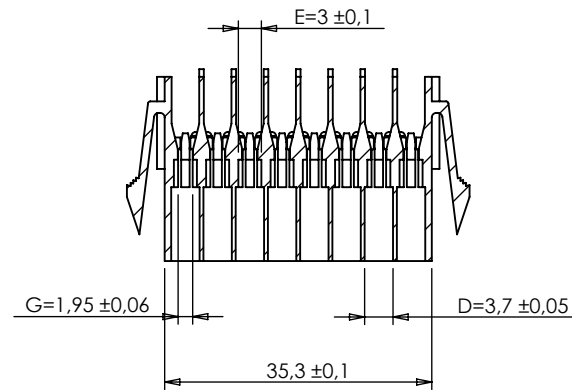
SEZIONE D-D



Way number in the housing, thickness 0,05 mm



Dettaglio F
Scala 4:1
Rev.1



SEZIONE B-B

1		Aggiunto rinforzo ganci di chiusura sportello. dettaglio F		10-12-2012
INDEX	MODIFICATION			DATE
		COLOMBO SERGIO e Figli S.r.l. 20063 CERNUSCO S/N - VIA COMO, 11 TEL +39.02.9210.7404 - FAX +39.02.9210.0217 http://www.cscolombo.com - e-mail: info@cscolombo.com		
CHECKED BY		DATE	DESIGN UNITS	
Stefano Galimberti		15-02-2012	METRIC	
DRAWN BY		DATE	WEIGHT	
Stefano Querzoli		15-02-2012		
SCALE	CAD REFER		SIZE	INDEX 0
1:1	Y:\dis\cs\mft\mftxxf\mftxxfa sec lock\tavole\		A4	15-02-2012
BASE CODE		DESCRIPTION		
CS-MFT82FA		MFT FEMALE CONNECTOR FOR PANEL, 8X2 POLES		

		CS-MFT82FA	PA66 UL94 V-2
		CS-MFT82FAV0	PA66 UL94 V-0
		CS-MFT82FAV0750NF	PA66 UL94 V-0 GWIT 775
		CS-MFT82FA-G	PA6 UL94 V-2 GWIT 775
		PART NUMBER	MATERIAL
DIMENSIONS WITHOUT TOLERANCES			
±2°	0 - 6	±0.1	
	6 - 30	±0.2	
	> 30	±0.3	