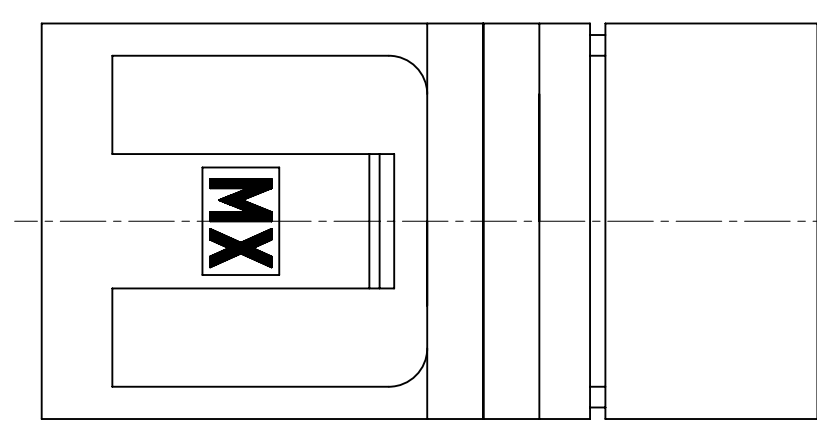
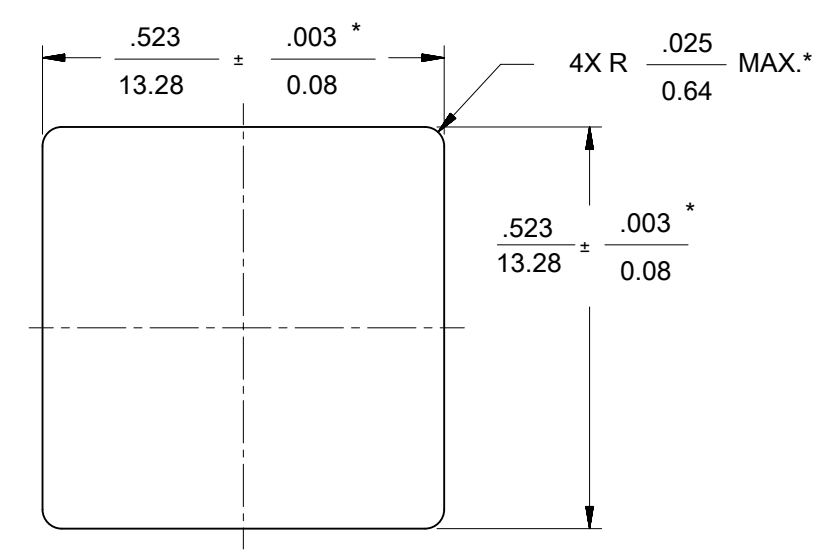
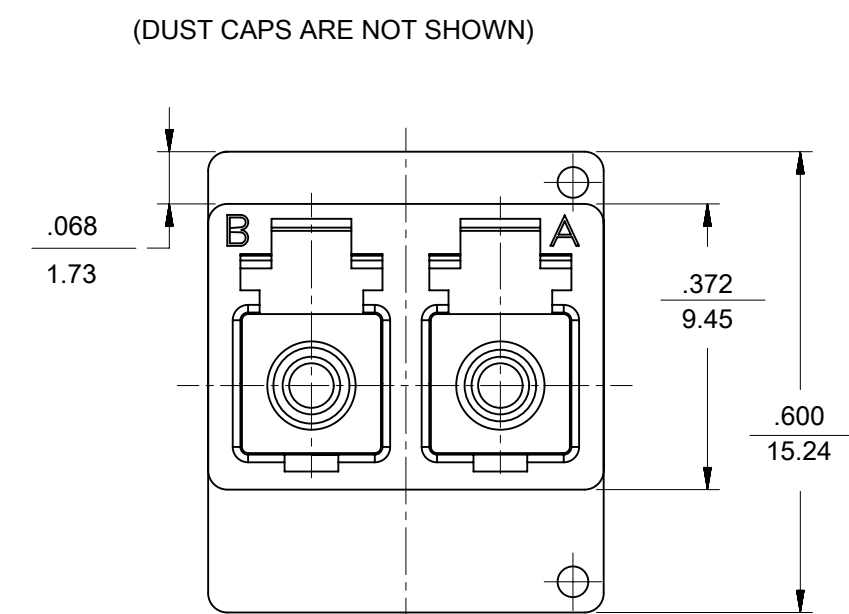
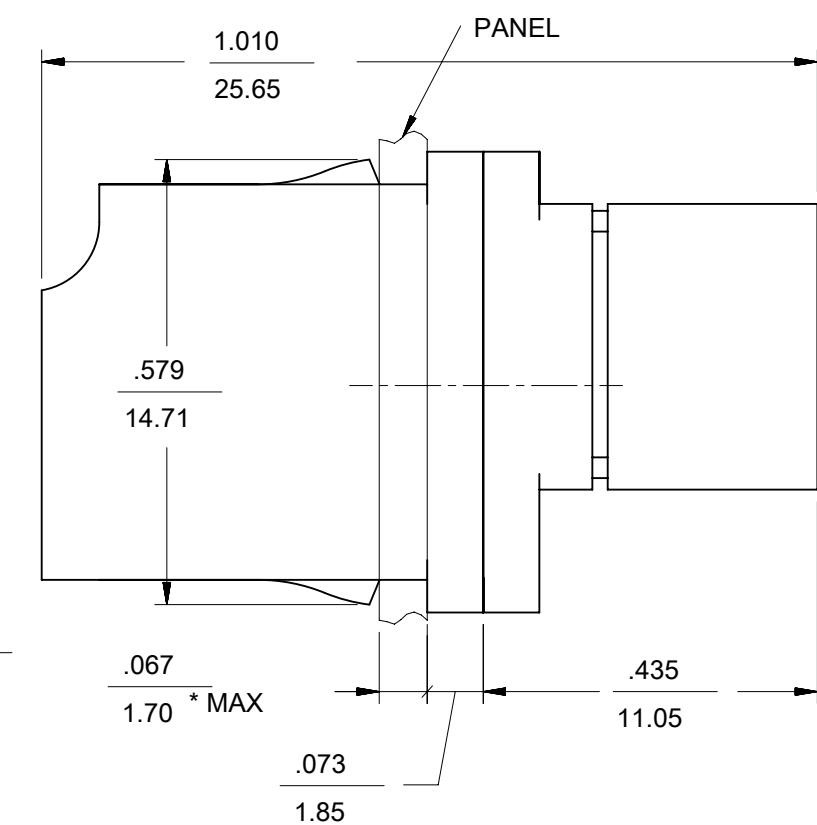
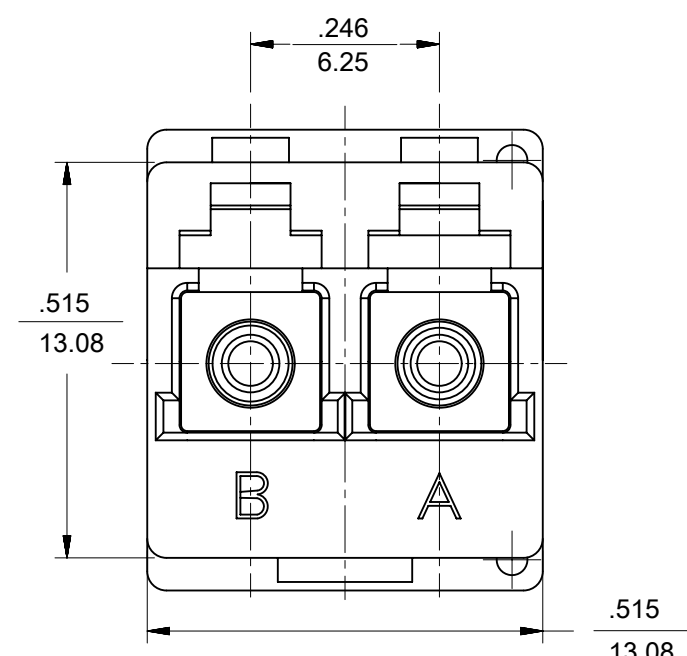


ADAPTER P/N	COLOR	SPLIT SLEEVE MATERIAL
106125-1000	BLUE	ZIRCONIA - ZrO <sub>2</sub>
106125-1050	GREEN	
106125-0000	BLUE	
106125-1010	BEIGE	
106125-1090	RED	
106125-1070 SEE NOTE 2	BLUE	



RECOMMENDED PANEL CUTOUT  
 PANEL THICKNESS  $\frac{.067}{1.70}$  MAX.

- NOTES:
1. ALL DIMENSIONS ARE FOR REFERENCE ONLY, EXCEPT WHEN MARKED WITH (\*).
  2. ADAPTERS 1061251070 ARE BULK PACKAGED 10 pcs PER BAG.

THIS DRAWING CONTAINS INFORMATION THAT IS PROPRIETARY TO MOLEX ELECTRONIC TECHNOLOGIES, LLC AND SHOULD NOT BE USED WITHOUT WRITTEN PERMISSION									
DIMENSION UNITS <b>IN/MM</b>		SCALE <b>4:1</b>		CURRENT REV DESC:				<b>molex</b>	
GENERAL TOLERANCES (UNLESS SPECIFIED)				EC NO: 652962					
4 PLACES ±		MM		INCH		DRWN: SKRISHNAMU01 2021/05/28		LC DUPLEX ADAPTER, LOW PROFILE	
3 PLACES ±		PRODUCT CUSTOMER DRAWING							
2 PLACES ±		MM		INCH		CHK'D: WCHEN 2021/08/24		DOCUMENT NUMBER	
1 PLACE ±		MM		INCH		APPR: WCHEN 2021/08/24		SD-106125-X0X0	
0 PLACES ±		MM		INCH		INITIAL REVISION:		DOC TYPE   DOC PART   REVISION	
ANGULAR TOL ± 0.5°		MM		INCH		DRWN: PGIPLIN 2005/10/03		PSD   001   C	
DRAFT WHERE APPLICABLE MUST REMAIN WITHIN DIMENSIONS		THIRD ANGLE PROJECTION		DRAWING		SERIES		MATERIAL NUMBER   CUSTOMER   SHEET NUMBER	
		B-SIZE		106125		SEE TABLE		GENERAL MARKET   1 OF 1	