

**Technical specification:**

Rated voltage: IEC 61076-2-101	5pos 60 V
Current rating: IEC 61076-2-101	4 A at 40°C
Insulation resistance: IEC 60512	>=100 MΩ
Pollution degree: IEC 60664-1	3/2
Degree of protection: IEC 60529	IP 67, in mated condition
Temperature range: IEC 60664-1	-30°C ... +80°C
Mating cycles: IEC 60512-9a	>=100

**Materials:**

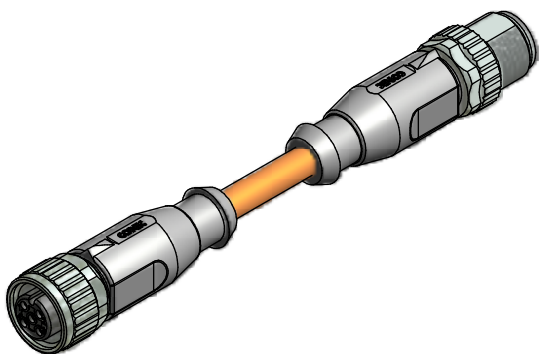
Contact:	CuZn
Contact plating:	Nickel, gold plated
Contact carrier:	TPU GF, UL 94
Sealing:	FPM
Coupling nut/ screw:	GD-Zn, nickel plated
Moulding body:	TPU, UL 94, grey

**Installation specification:**

Recommended torque:	0,6 Nm
Conec installation tool:	Torque wrench: 36-000200 Insert across flats 13: 36-000220

**Contact assignment:**

- 1) brown
- 2) white
- 3) blue
- 4) black
- 5) green-yellow



Part no:	Description:	Length L:	Cable:
43-10676	SAL - 12 - RK5 - RS5 - 0,3 / J1	0,3m	TPU, UL 20549, orange, 5x0,34mm <sup>2</sup> Cable: 781-J13500
43-10677	SAL - 12 - RK5 - RS5 - 0,6 / J1	0,6m	
43-10678	SAL - 12 - RK5 - RS5 - 1,5 / J1	1,5m	
43-10679	SAL - 12 - RK5 - RS5 - 3,0 / J1	3m	
43-xxxxx	SAL - 12 - RK5 - RS5 - ... / J1	x	

D see data sheet cable

DO NOT ALTER CAD DRAWING BY HAND Directive 2002/95/EC RoHS compliant	Index: b 26.01.2011 VF Ä3767 Coupling nut/screw modified, spanner flats added, data sheet modified	dim. in mm	title: <b>Connecting cable M12x1, female connector axial - male connector axial</b>									
	tolerance of cable: L ≤ 4m: L + 40mm L > 4m: L + 1%			<table border="1" style="width: 100%; border-collapse: collapse;"> <tr> <td></td> <td>date</td> <td>name</td> </tr> <tr> <td>drawn</td> <td>08.03.07</td> <td>Fromm</td> </tr> <tr> <td>appd.</td> <td>08.03.07</td> <td>Mankopf</td> </tr> </table>		date	name	drawn	08.03.07	Fromm	appd.	08.03.07
		date		name								
	drawn	08.03.07		Fromm								
appd.	08.03.07	Mankopf										
THIS DRAWING MAY NOT BE COPIED OR REPRODUCED IN ANY WAY, AND MAY NOT BE PASSED ON TO A THIRD PARTY WITHOUT WRITTEN PERMISSION. OWNERSHIP AND COPYRIGHT OF CONEC GmbH		dwg no:  <div style="text-align: center; font-size: 1.2em; font-weight: bold;">43K1A412</div>										
		part no:  <div style="text-align: center; font-size: 1.2em; font-weight: bold;">see table</div>										