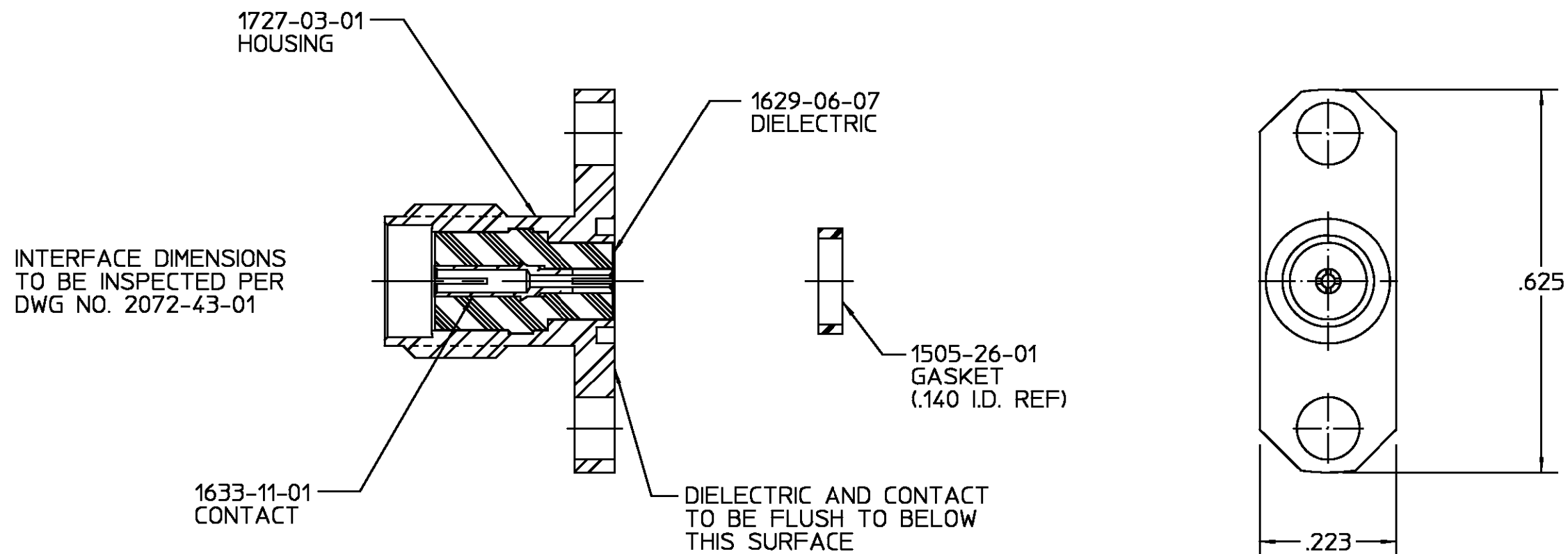


REVISIONS			
REV	DESCRIPTION	DATE	APPROVED
032	REDRAWN ON CAD ECN 92-0010	12/1/93	<i>[Signature]</i> 12/1/93



OBSOLETE

UNLESS OTHERWISE SPECIFIED DIMENSIONS ARE IN INCHES, AND BEFORE PLATING, ALL ANGLES ARE DEGREES. FRAC. DEC. ANGLES * 1/64 * .005 * °	DRAWN BY: B DATE: 10/22/84	AMP AMP Incorporated 140 Fourth Avenue Waltham, MA 02451-7599		
	CHECKED BY:			
These drawings and specifications are the property of Omni Spectra Incorporated and shall not be reproduced or copied or used in whole or in part as the basis for the manufacture or sale of item(s) without written permission.	APPD BY: GH DATE: 11/5/84	TITLE: OSM TWO HOLE FLANGE MOUNT JACK RECEPTACLE WITH EMI/RFI GASKET		
	SIZE: B	CODE IDENT NO.: 26805	2052-3354-02-50	REV: 032
	SCALE: 5:1	CABLE TYPE: N/A	SHEET 1 OF 1	
	AMP PART # 1330785			