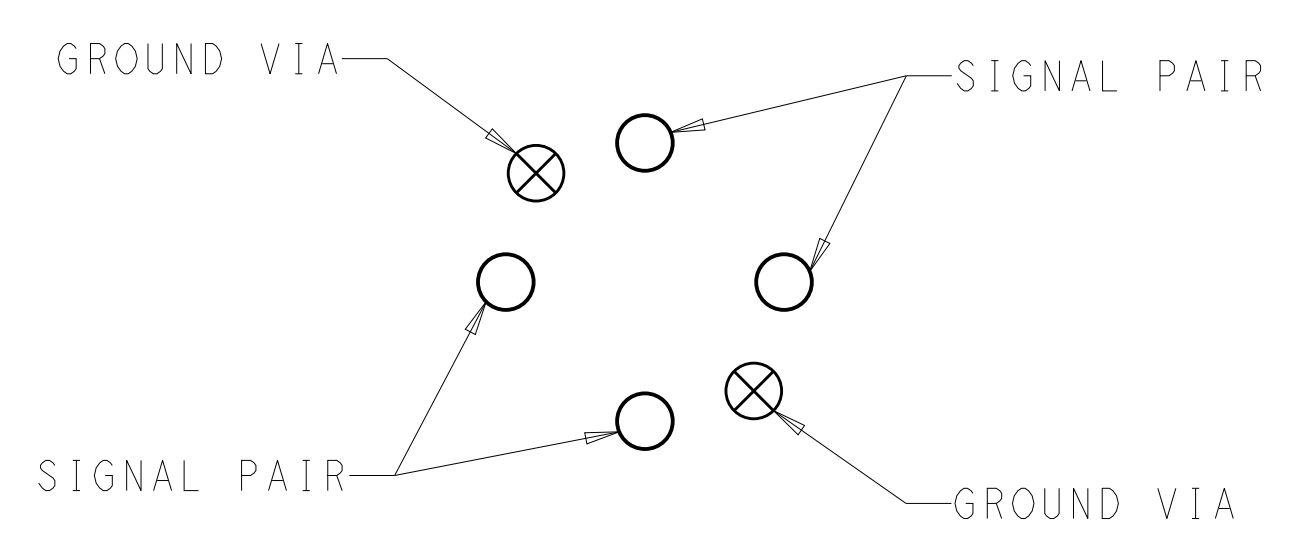
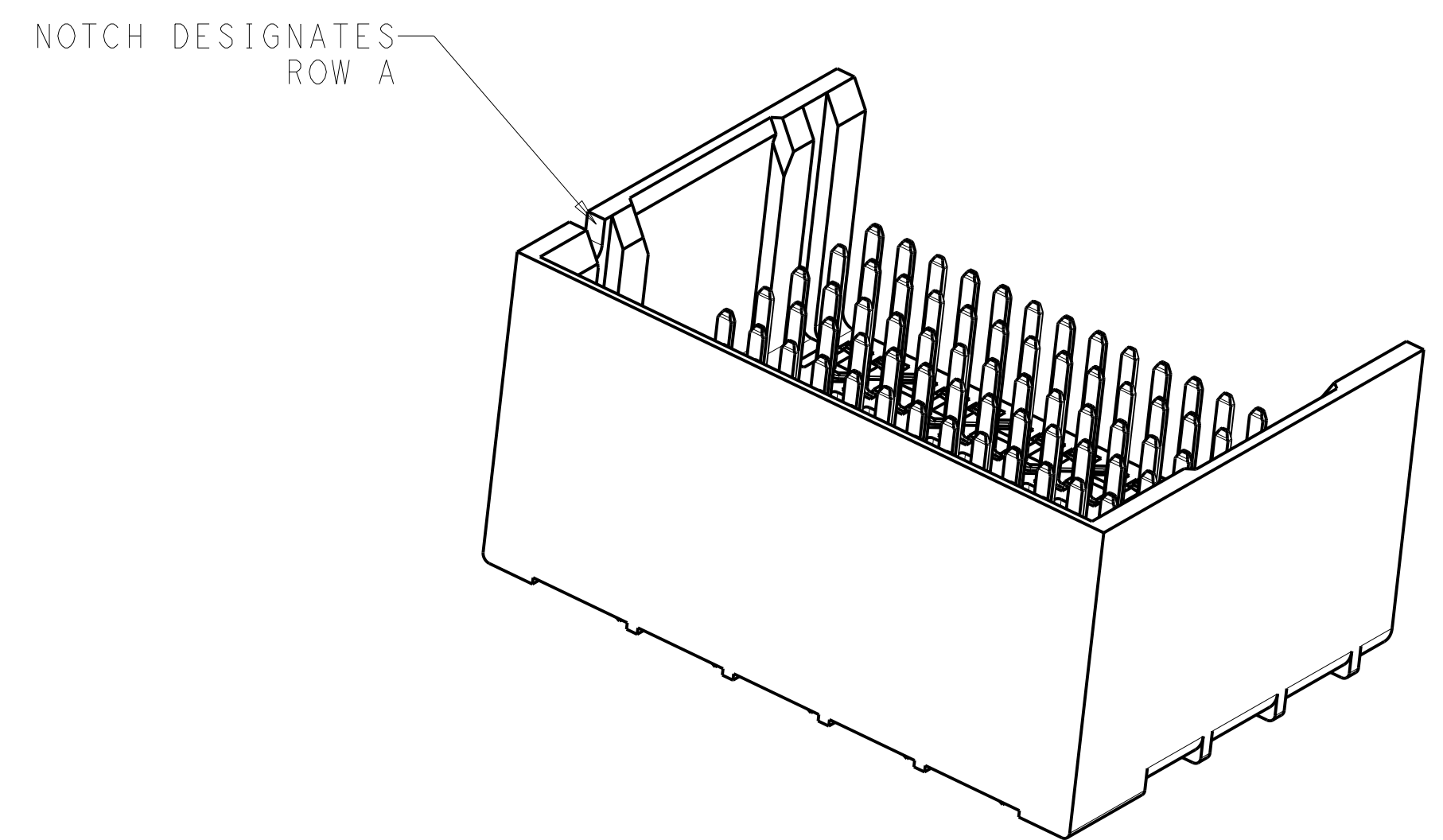
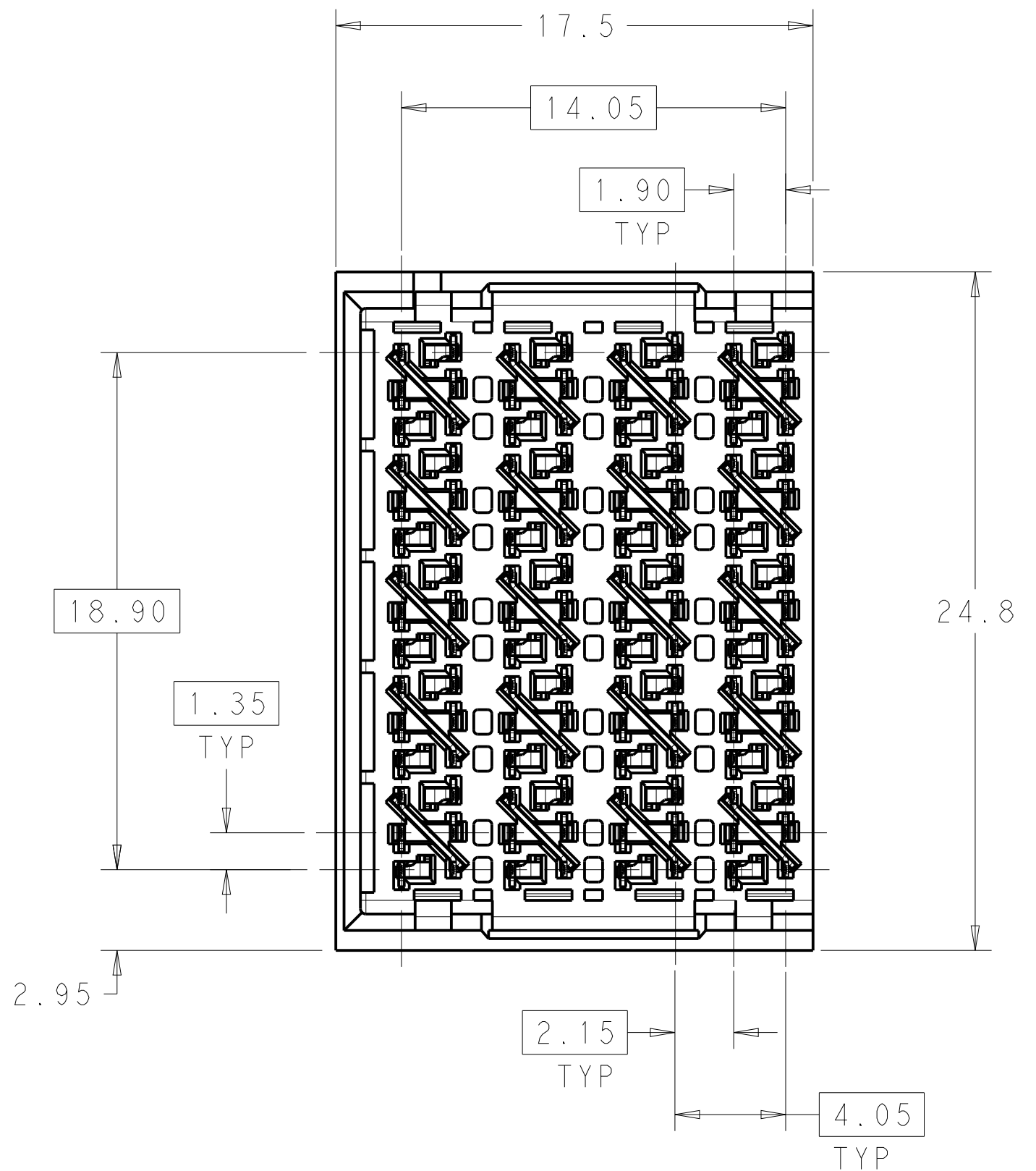


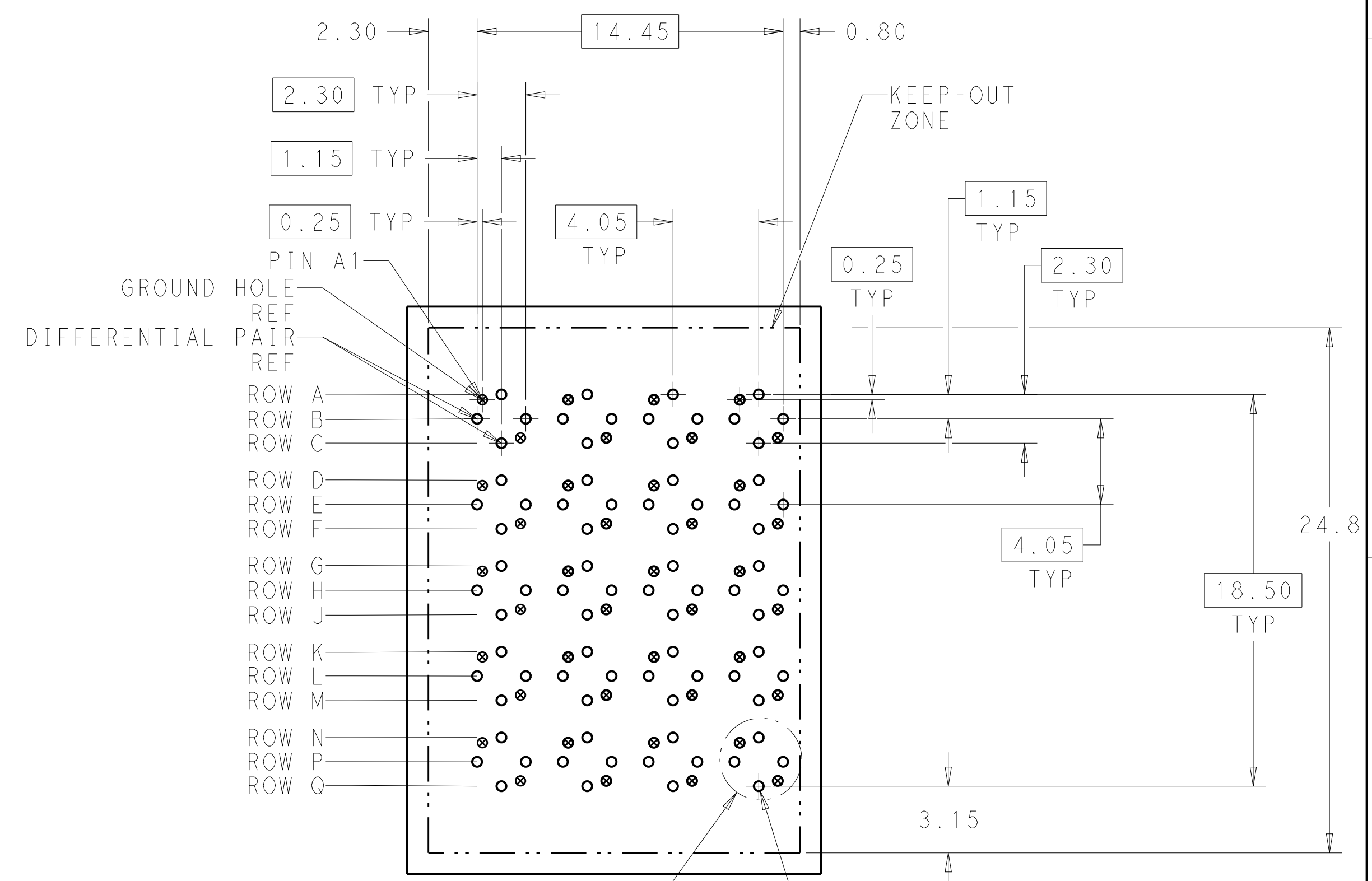
REVISIONS				
P.	LTN	DESCRIPTION	DATE	OWN APVD
B		REVISED PER ECO-14-013272	09SEP2014	AP DD



DETAIL X
SCALE 16:1

⚠ MATERIAL:
 HOUSING: LCP, GLASS FILLED, UL94V-0.
 TERMINALS: HIGH PERFORMANCE COPPER ALLOY.

⚠ FINISH:
 30μ" MIN GOLD IN CONTACT AREA. SELECTIVE TIN
 ON PCB TAILS, NICKEL OVERALL.



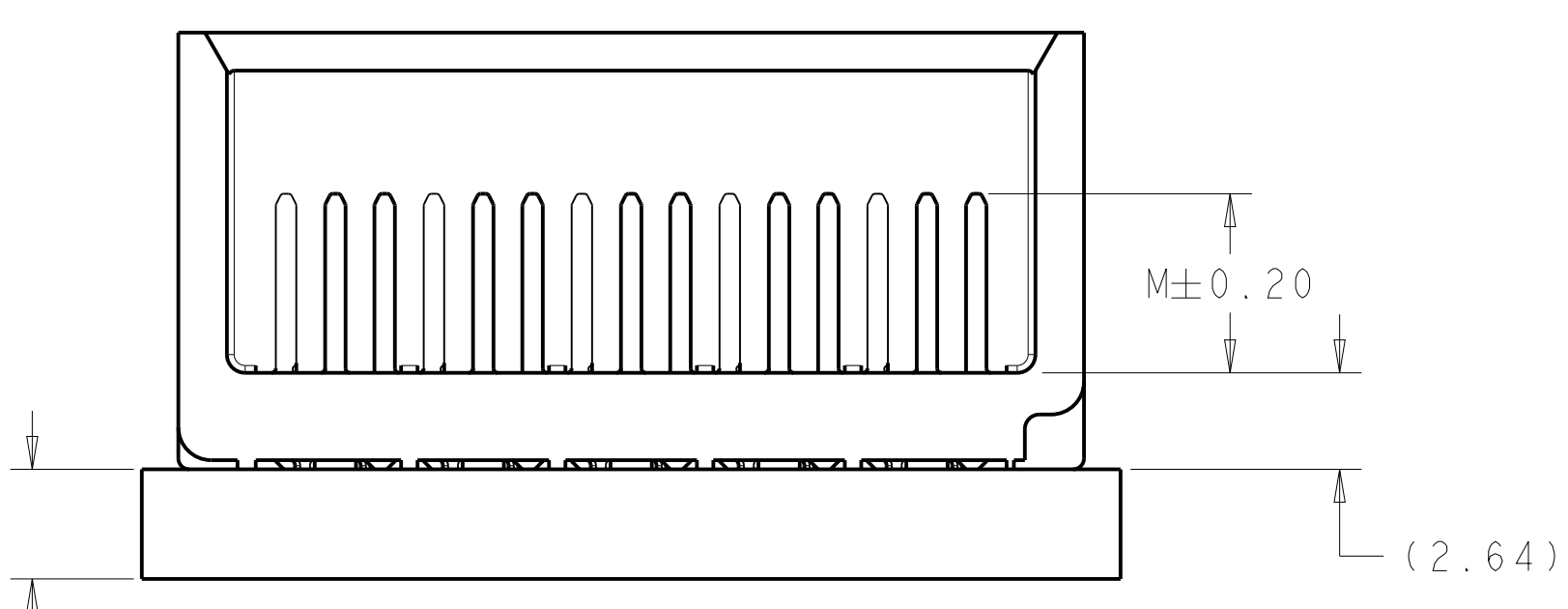
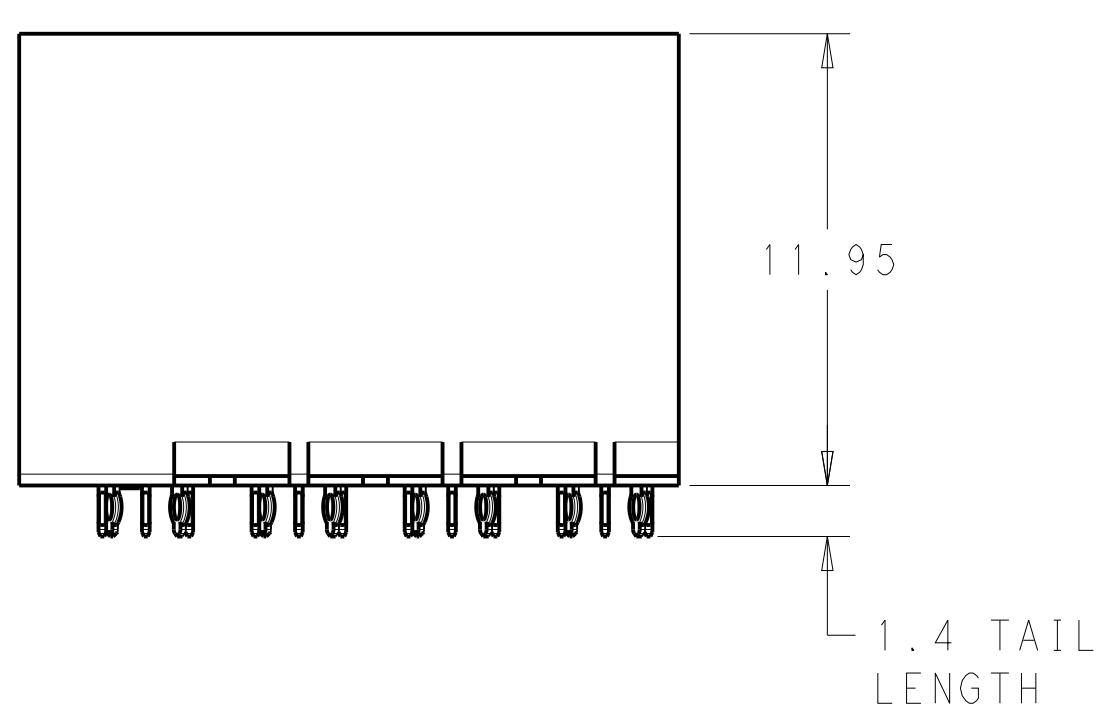
SEE DETAIL X

120X $\varnothing 0.46 \pm 0.08$
PLATED THRU HOLE

120X $\varnothing 0.55 \pm 0.013$
DRILL HOLE

$\varnothing 0.10$

UNGUIDED
BACKPLANE HOLE PATTERN
(CONNECTOR SIDE)



3.00
MINIMUM BOARD
THICKNESS

THIS DRAWING IS A CONTROLLED DOCUMENT.		OWN: KIRAN HOLH 01DEC2012	TE Connectivity
DIMENSIONS: mm		CHK: D. DIXON 01DEC2012	
TOLERANCES UNLESS OTHERWISE SPECIFIED:		APVD: D. DIXON 01DEC2012	NAME: IMPACT, ORTHOGONAL, 5 PAIR, 8 COLUMN HEADER, UNGUIDED, LEFT END WALL SIGNAL MODULE, 0.46 PTH
0 PLC	±	PRODUCT SPEC	SIZE: CAGE CODE DRAWING NO. RESTRICTED TO
1 PLC	±0.25	APPLICATION SPEC	A100779C=2143623
2 PLC	±0.13	WEIGHT	SCALE: 5:1 SHEET 1 OF 2 REV B
3 PLC	±	CUSTOMER DRAWING	
4 PLC	±		
ANGLES	±		
MATERIAL	SEE TABLE		

THIS DRAWING IS UNPUBLISHED. RELEASED FOR PUBLICATION 20
 © COPYRIGHT 20 TE CONNECTIVITY ALL RIGHTS RESERVED.

REVISIONS				
P.	LTN	DESCRIPTION	DATE	APVD
-	-	SEE SHEET 1	-	-

	5.5	2143623-2
	4.9	2143623-1
FINISH	DIM M	PART NUMBER

REFER TO WWW.TE.COM
FOR PRODUCT AVAILABILITY

THIS DRAWING IS A CONTROLLED DOCUMENT.		OWN: KIRAN HOLHL 01DEC2012 CHK: D. DIXON 01DEC2012	
DIMENSIONS: mm		APVD: D. DIXON 01DEC2012	
TOLERANCES UNLESS OTHERWISE SPECIFIED: 0 PLC ±0.25 2 PLC ±0.13 3 PLC ± 4 PLC ± ANGLES ±		PRODUCT SPEC: - APPLICATION SPEC: -	NAME: IMPACT, ORTHOGONAL, 5 PAIR, 8 COLUMN HEADER, UNGUIDED, LEFT END WALL SIGNAL MODULE, 0.46 PTH
MATERIAL: -	FINISH: SEE TABLE	WEIGHT: -	SIZE: A100779 ©=2143623
CUSTOMER DRAWING		SCALE: 5:1	RESTRICTED TO: -
		SHEET: 2 OF 2	REV: B