

4 3 2 1

© 1996 TE Connectivity. All Rights Reserved.

REVISIONS					
變更					
P	LTR	DESCRIPTION	DATE	DWN	APVD
B3		ECN-21-124193:OBSOLETE 5353186-8	08NOV2021	A.L	H.L
B2		REVISED PER ECO-16-014594	10OCT2016	B.J	S.Y

DETAIL F  
(SCALE 4:1)

CONNECTOR DETAIL

SEE DETAIL F

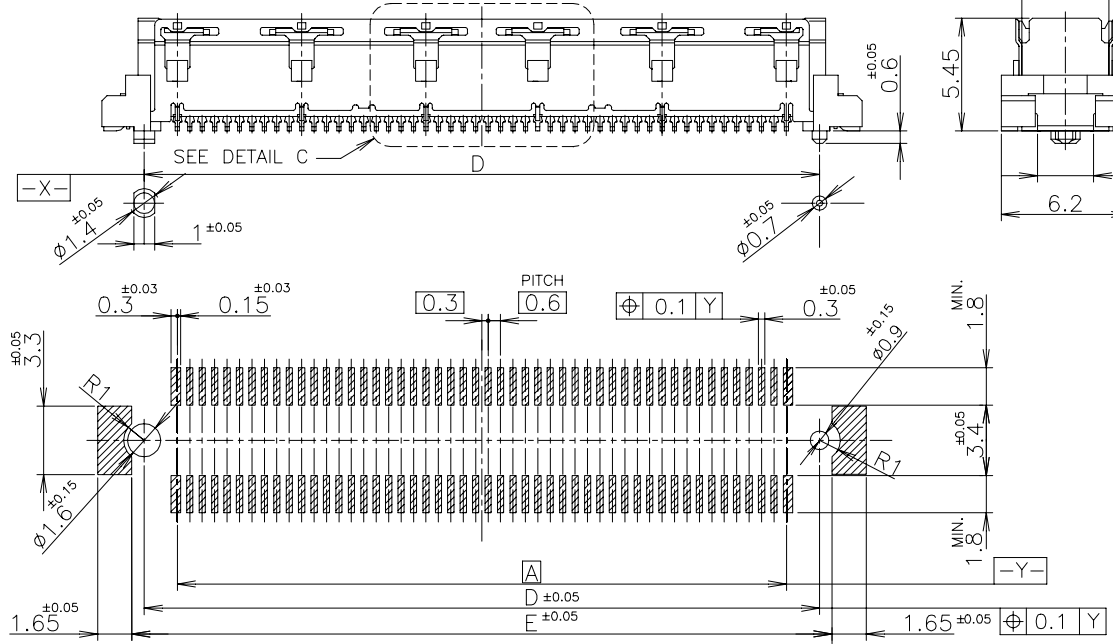
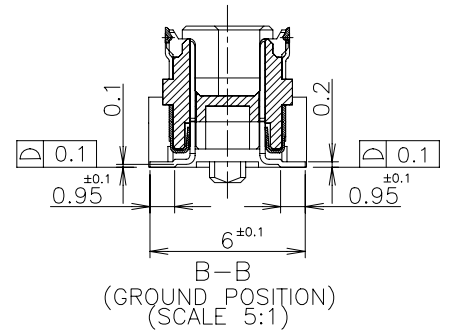
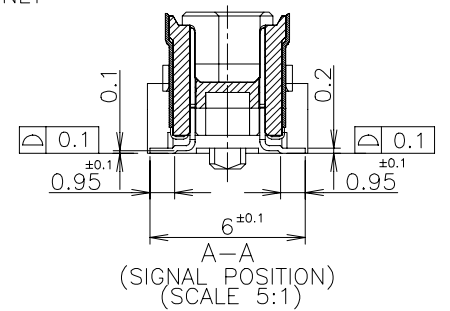
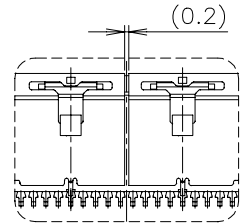
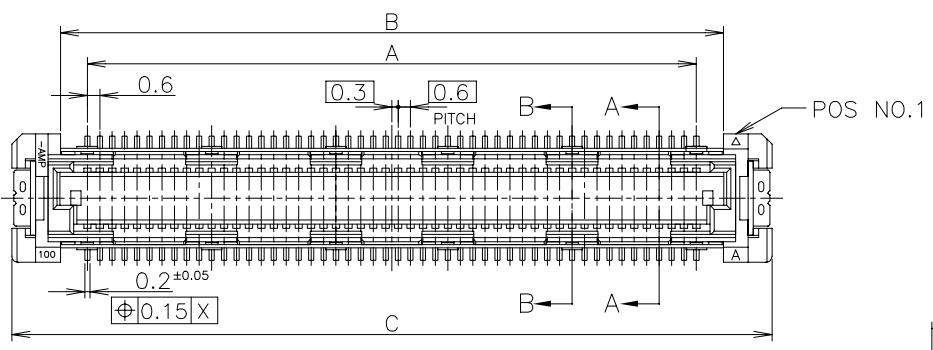
WEEDING THE COVER TAPE AROUND THE OUTER PERIPHERY IN A TURN.

SEALANT	TOOLING STATUS	QTY.	W	E	D	C	B	A	POS.	PART NO.
NOT AVAILABLE		800	49.5	24.7	25	44	40.4	20.2	60	7-5353186-4 <sup>△</sup>
NOT AVAILABLE			77.5	54.7	55	72	68.4	34.2	160	6-5353186-1
AVAILABLE			77.5	48.7	49	72	68.4	34.2	140	6-
NOT AVAILABLE			61.5	42.7	43	56	52.4	26.2	120	5-
NOT AVAILABLE			61.5	36.7	37	56	52.4	26.2	100	5-
NOT AVAILABLE			61.5	33.7	34	56	52.4	26.2	90	5-
AVAILABLE			49.5	30.7	31	44	40.4	20.2	80	5-
NOT AVAILABLE			49.5	27.7	28	44	40.4	20.2	70	5-
NOT AVAILABLE			49.5	24.7	25	44	40.4	20.2	60	5-
NOT AVAILABLE			37.5	21.7	22	32	28.4	14.2	50	5-
AVAILABLE			37.5	18.7	19	32	28.4	14.2	40	5-
NOT AVAILABLE		800	29.5	15.7	16	24	11.5	30		5-5353186-1
AVAILABLE		800	49.5	24.7	25	44	40.4	20.2	60	2-5353186-4 <sup>△</sup>
AVAILABLE			77.5	54.7	55	72	68.4	34.2	160	1-5353186-1
AVAILABLE			77.5	48.7	49	72	68.4	34.2	140	1-
NOT AVAILABLE			61.5	42.7	43	56	52.4	26.2	120	
AVAILABLE			61.5	36.7	37	56	52.4	26.2	100	
NOT AVAILABLE		800	61.5	33.7	34	56	52.4	26.2	90	
NOT AVAILABLE			49.5	27.7	28	44	40.4	20.2	70	
NOT AVAILABLE			49.5	24.7	25	44	40.4	20.2	60	
NOT AVAILABLE			37.5	21.7	22	32	28.4	14.2	50	
NOT AVAILABLE			37.5	18.7	19	32	28.4	14.2	40	
NOT AVAILABLE		800	29.5	15.7	16	24	11.5	30		5353186-1

△ THIS PRODUCT WAS COATED BY FLUX-PENETRATION -INHIDTING AGENT.  
 5 HOUSING COLOR : NATURAL  
 6 HOUSING COLOR : BLACK

THIS DRAWING IS A CONTROLLED DOCUMENT.		DWN HAWKING HE 20DEC04	TE Connectivity Ltd.	
		CHK STEVEN YAO 20DEC04		
DIMENSIONS: 單位: 耗 mm TOLERANCES UNLESS OTHERWISE SPECIFIED: 一般公差 0 PLC ± 0.2 1 PLC ± 0.2 2 PLC ± 0.2 3 PLC ± 0.2 4 PLC ± 0.2 ANGLES ± 5° MATERIAL 材料 FINISH 仕上		APVD I.ENOMOTO 20DEC04	NAME 名稱	
		PRODUCT SPEC 108-60047	EMBOSS ASSY	
		APPLICATION SPEC 114-5255	FH 0.6BTB CONNECTOR	
		WEIGHT	PLUG 6H WITH G-PLATE	
			SIZE A3	CAGE CODE 00779
			DRAWING NO. 5353186	
		CUSTOMER DRAWING		RESTRICTED TO
		SCALE 尺度 1:1		SHEET 1 OF 3
				REV B3

REVISIONS					
変更					
P	LTR	DESCRIPTION	DATE	DWN	APVD
-	-	SEE SHEET 1	-	-	-



REFERENCE P.C.BOARD LAYOUT

AVAILABLE	21.8	20.6	24.7	20	17.4	60
AVAILABLE	51.8	50.6	54.7	50	47.4	160
AVAILABLE	45.8	44.6	48.7	44	41.4	140
NOT AVAILABLE	39.8	38.6	42.7	38	35.4	120
AVAILABLE	33.8	32.6	36.7	32	29.4	100
NOT AVAILABLE	30.8	29.6	33.7	29	26.4	90
AVAILABLE	27.8	26.6	30.7	26	23.4	80
NOT AVAILABLE	24.8	23.6	27.7	23	20.4	70
AVAILABLE	21.8	20.6	24.7	20	17.4	60
NOT AVAILABLE	19.8	17.6	21.7	17	14.4	50
AVAILABLE	15.8	14.6	18.7	14	11.4	40
NOT AVAILABLE	12.8	11.6	15.7	11	8.4	30
TOOLING STATUS	E	D	C	B	A	POS

GENERAL TOLERANCE  
一般公差

10 $\geq$ :  $\pm 0.2$   
30 $\geq$  >10:  $\pm 0.25$   
100 $\geq$  >30:  $\pm 0.3$   
ANGLES:  $\pm 3^\circ$

THIS DRAWING IS A CONTROLLED DOCUMENT.

DIMENSIONS: 单位: 耗 mm	TOLERANCES UNLESS OTHERWISE SPECIFIED: 一般公差	DWN	TE Connectivity Ltd.
0 PLC $\pm$	1 PLC $\pm$	CHK	
2 PLC $\pm$	3 PLC $\pm$	APVD	
4 PLC $\pm$	ANGLES $\pm$	FINISH 仕上	
MATERIAL 材料		PRODUCT SPEC 製品規格	NAME 名称
		APPLICATION SPEC 取付適用規格	EMBOSS ASSY FH 0.6BTB CONNECTOR PLUG 6H WITH G-PLATE
		WEIGHT	SIZE A3
		CUSTOMER DRAWING	CAGE CODE 00779
			DRAWING NO. 番号 G=5353186
			RESTRICTED TO
			SCALE 尺度 4:1
			SHEET 2 OF 3
			REV B3

4

3

2

1

© 1996 TE Connectivity. All Rights Reserved.

REVISIONS

P	LTR	DESCRIPTION	DATE	DWN	APVD
-	-	SEE SHEET 1	-	-	-

① MATERIAL ; HOUSING : HIGH TEMP THERMO PLASTIC  
UL94V-0  
CONTACT : COPPER ALLOY

② FINISH ; UNDER PL Ni 0.0013mm MIN ALL OVER.  
CONTACT AREA 0.0002 MIN Au PL.  
SOLDERING AREA 0.001 MIN TIN PL.

③ █ THIS POSITION IS GROUND CIRCUIT.

THIS DRAWING IS A CONTROLLED DOCUMENT.

DIMENSIONS:  
单位: 耗  
mmTOLERANCES UNLESS  
OTHERWISE SPECIFIED:  
一般公差

0 PLC	± -
1 PLC	± -
2 PLC	± -
3 PLC	± -
4 PLC	± -
ANGLES	± -

MATERIAL  
材料FINISH  
仕上GENERAL TOLERANCE  
一般公差

10 ≥ : ±0.2  
30 ≥ >10 : ±0.25  
100 ≥ >30 : ±0.3  
ANGLES : ±3°

①

②

DWN	
CHK	
APVD	
PRODUCT SPEC 製品规格	
APPLICATION SPEC 取付適用规格	
WEIGHT	
CUSTOMER DRAWING	

TE Connectivity Ltd.

NAME 名称		EMBOSS ASSY FH 0.6BTB CONNECTOR PLUG 6H WITH G-PLATE		RESTRICTED TO
SIZE	CAGE CODE	DRAWING NO 番号		
A3	00779	G=5353186		
SCALE 尺度		SHEET	REV	
3:1		3 OF 3	B3	

1470-19 (1/15)