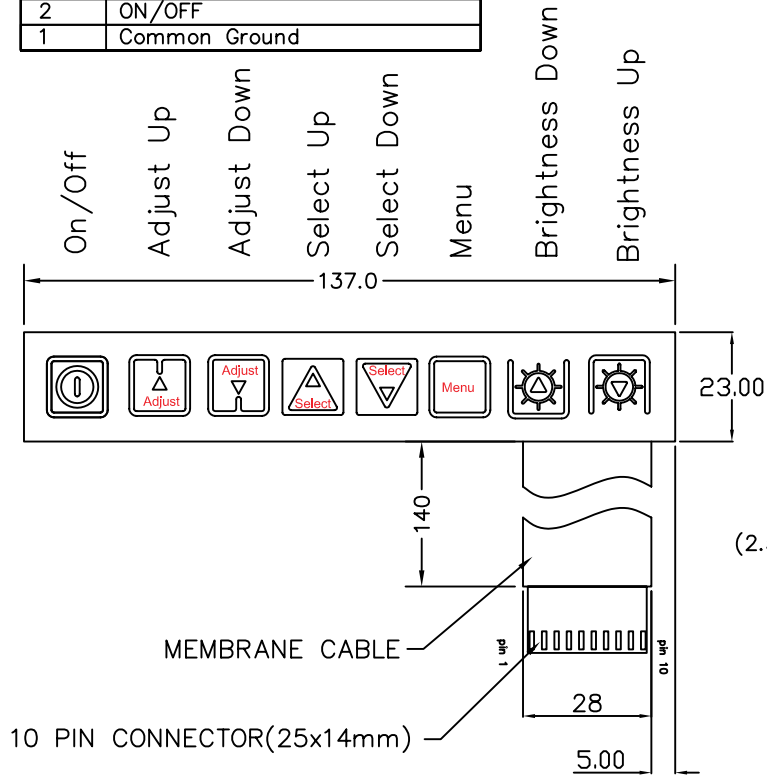
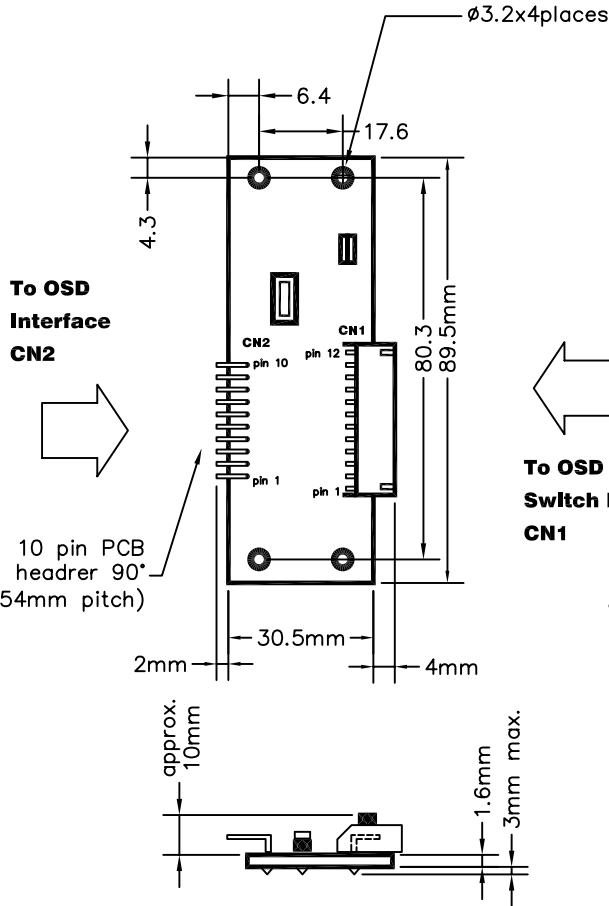


8 button membrane SW to OSD Control Board CN2 Pin Assignment	
pin #	description
10	Common Ground
9	Select Up
8	Select Down
7	Adjust Up/Increase/Right
6	Adjust Down/Decrease/Left
5	Menu
4	Brightness Down
3	Brightness Up
2	ON/OFF
1	Common Ground



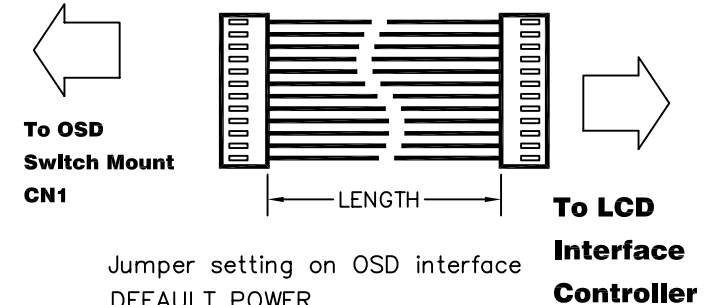
FRONT VIEW

**Membrane Switch:**  
**P/N:356301022-3**



**PCB OSD INTERFACE:**  
**P/N:416100110-3**

PCB OSD Control Board CN1 Pin Assignment	
pin #	description
12	no connection
11	OSD Select UP
10	OSD Select Down
9	OSD Plus/Right
8	OSD Minus/Left
7	OSD Menu
6	Ground
5	Backlight Brightness VR pin B
4	Backlight Brightness VR pin WIP
3	Backlight Brightness VR pin A
2	Power Switch B
1	Power Switch A



Jumper setting on OSD interface  
DEFAULT POWER

JP1 : 1-2 closed - OFF

2-3 closed - ON

BRIGHTNESS INC/DEC SWITCH

JP2 : 1-3 & 2-4 closed - SWAP

1-2 & 3-4 closed - NORMAL

**OSD cable:**

**P/N:426120400-3 (12/12 WAY), 300mm**



**Title:**  
KIT 60134-3 OSD KIT

**NOTE:**  
All dimensions are in mm

**Date:**  
22 DEC 06

Kit 60134-3 OSD KIT