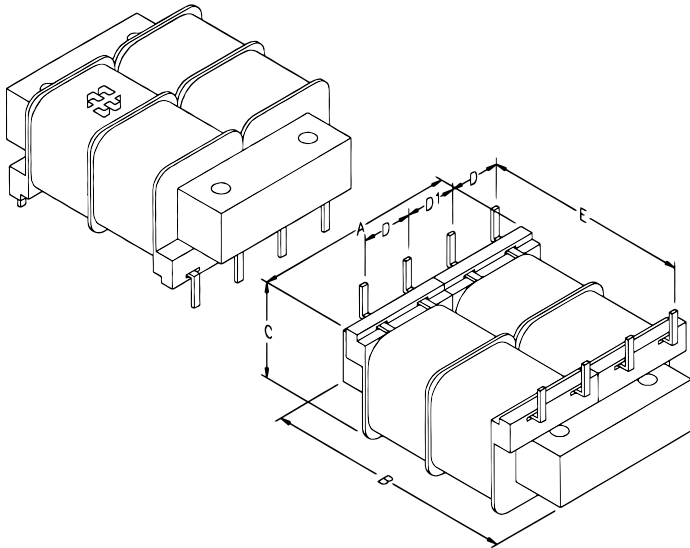




**Power Transformer - Dual Primary  
Low Voltage PC Board Mount - Low Profile**

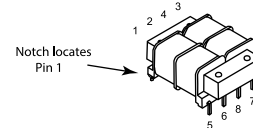


**Features**

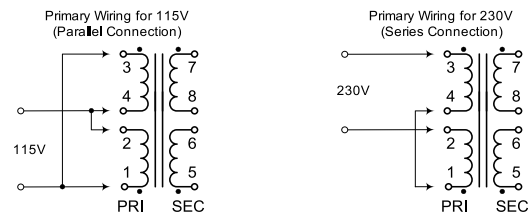
- Low profile mounting, dual - split bobbin design.
- Low primary to secondary coupling, balanced windings, no electrostatic shield required and low EMF radiation due to semi-toroidal design.
- Universal dual primary 115/230V - 50/60 Hz.
- High insulation - Hipot of 1,750V RMS.
- Class B insulation - 130 degrees C.
- C UL US recognized.

**Connection Information - 229 Series Transformers**

Mechanical	
A	2.25" (57 mm)
B	2.87" (73 mm)
C	1.25" (32 mm)
D	0.60" (15 mm)
D1	0.53" (13 mm)
E	1.90" (48 mm)
PC Board Spacing	1.50" (38 mm)
Pin Size	0.04" x 0.04" (1 mm x 1 mm)
Electrical	
Size (VA)	24
Primary	115 /230V, 50 /60Hz
Secondary (RMS) Series	56V C.T. @ 425ma
Secondary (RMS) Parallel	28V @ 850ma
Regulation	15%



**Primary Connections - 229 Series Transformers**



**Secondary Connections - 229 Series Transformers**

