

### F4-20

#### Description:

The F4-20 Quick Pack small power transformer offers a significant reduction in size and weight over a standard transformer. This transformer can be used for a wide variety of applications. It is bobbin wound for reduced size and small operating space.

#### Electrical Specifications (@25C);

**Maximum Power:** 6.0VA

**Input Voltage:** 115VAC@50/60Hz

**Output Voltage:** 20VCT@0.3A<sup>1</sup>

**Recommended Fuse:** UL listed 250VAC, 0.4A, Slo-Blo

**Hipot:** 2500VAC primary to secondary; 1500VAC windings to core.

#### Construction:

Split bobbin non concentric winding eliminates costly electrostatic shielding. Termination is suitable for quick connects or soldering. Built with UL Class B Insulation System.

#### Safety:

UL: File E53148, UL 5085-1 and 2 (formerly UL 506), General Purpose.

UL: File E65390, UL5085-1 and 3, Class 2 not wet, Class 3 wet

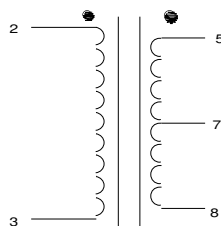


#### Dimensions:

A	B	C	D	E	F	G
1.375	2.0±.03	2.375	1.250	1.687	.187 Dia	.687

- Notes:**
1. Units: inches.
  2. Terminal size: .187" X 0.021".
  3. Weight: .44 lbs

#### Schematic:

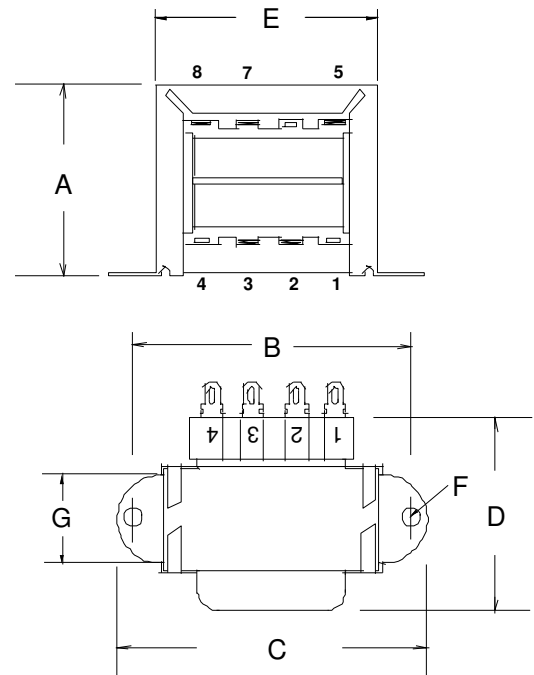
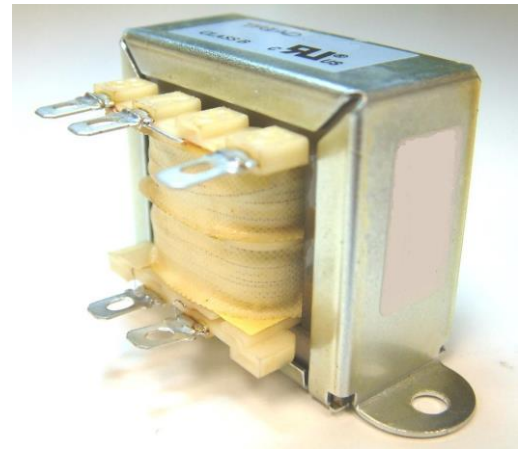


**Input:** Input 2 & 3

**Output:** 5 to 8

**RoHS Compliance:** As of manufacturing date February 2016, all standard products meet the requirements of 2015/863/EU, known as the RoHS 3 initiative.

\* Upon printing, this document is considered "uncontrolled". Please contact Triad Magnetix' website for the most current version.



<sup>1</sup> Fuse must be on **secondary** as conditions of acceptability for UL Class 2/3 operation.