

2-1674754-0 ✓ ACTIVE

TE Internal #: 2-1674754-0

Connector Assembly, Plug, Wire-to-Wire, 26 Position, .059 in [1.5 mm] Centerline, Crimp/IDC, 2 Row, Black, Wire & Cable, Power & Signal, Panel Mount

[View on TE.com >](#)



[Connectors >](#) [PCB Connectors >](#) [Wire-to-Board Connectors >](#) [Wire-to-Board Connector Assemblies & Housings >](#)

[Mini CT Drawer Connector Assemblies](#)



Connector Product Type: **Connector Assembly**

Connector & Housing Type: **Plug**

Connector System: **Wire-to-Wire**

Number of Positions: **26**

Centerline (Pitch): **1.5 mm [ .059 in ]**

[All Mini CT Drawer Connector Assemblies \(15\)](#)

## Features

### Product Type Features

Connector Product Type	Connector Assembly
Connector & Housing Type	Plug
Connector System	Wire-to-Wire
Sealable	No
Connector & Contact Terminates To	Wire & Cable

### Configuration Features

Number of Power Positions	6
Number of Signal Positions	20
Number of Positions	26
Number of Rows	2

### Electrical Characteristics

Operating Voltage	250 V
-------------------	-------

### Body Features

Drawer Style	Miniature Power
Primary Product Color	Black

### Contact Features

Contact Retention Within Housing	Without
Contact Base Material	Brass, Phosphor Bronze
Contact Current Rating (Max)	12 A

#### Termination Features

Termination Method to Wire & Cable	Crimp/IDC
------------------------------------	-----------

#### Mechanical Attachment

Strain Relief	Without
Mating Retention	Without
Connector Mounting Type	Panel Mount

#### Housing Features

Centerline (Pitch)	1.5 mm[.059 in]
--------------------	-----------------

#### Dimensions

Connector Length	67.1 mm[2.642 in]
Connector Height	19 mm[.748 in]
Connector Width	39.62 mm[1.56 in]
Compatible Insulation Diameter Range	1.6 – 4 mm[.063 – .157 in]
Wire Size	.2 mm <sup>2</sup>
Row-to-Row Spacing	7 mm[.276 in]

#### Usage Conditions

Operating Temperature Range	-30 – 105 °C[-22 – 221 °F]
-----------------------------	----------------------------

#### Operation/Application

Circuit Application	Power & Signal
---------------------	----------------

#### Packaging Features

Packaging Quantity	20
Packaging Method	Tray

#### Other

Discrete Wire Connector Comment	Mating PN: 2-1674755-0
---------------------------------	------------------------

#### Product Compliance

For compliance documentation, visit the product page on [TE.com](https://www.te.com)>

EU RoHS Directive 2011/65/EU	Compliant
------------------------------	-----------





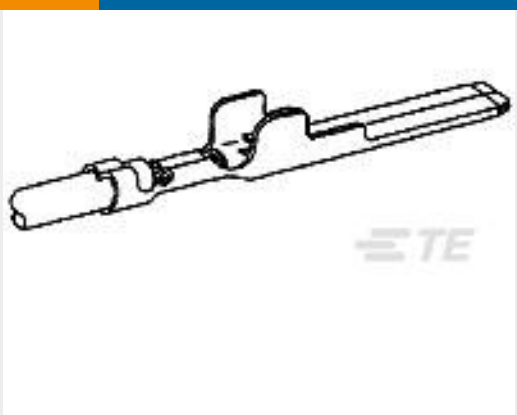

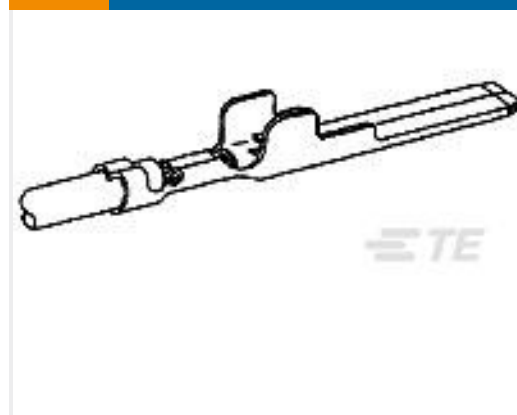


EU ELV Directive 2000/53/EC	Compliant
China RoHS 2 Directive MIIT Order No 32, 2016	No Restricted Materials Above Threshold
EU REACH Regulation (EC) No. 1907/2006	Current ECHA Candidate List: JUNE 2023 (235) Candidate List Declared Against: JAN 2023 (233) Does not contain REACH SVHC
Halogen Content	Not Low Halogen - contains Br or Cl > 900 ppm.
Solder Process Capability	Not applicable for solder process capability

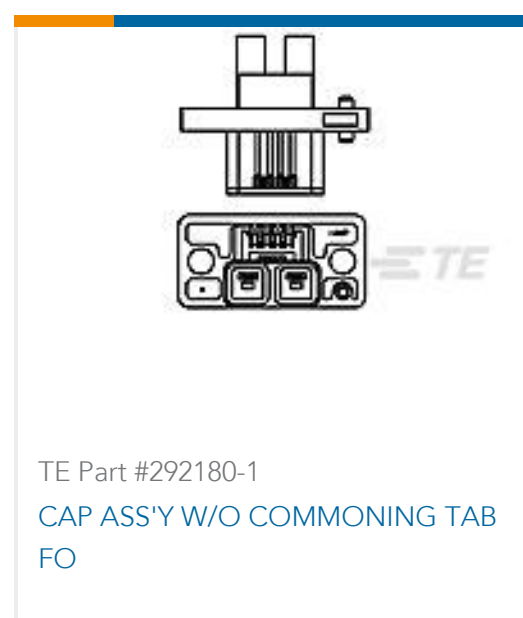
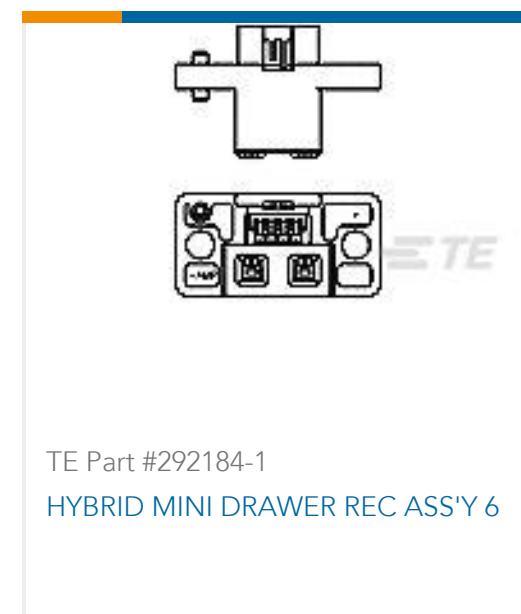
Product Compliance Disclaimer

This information is provided based on reasonable inquiry of our suppliers and represents our current actual knowledge based on the information they provided. This information is subject to change. The part numbers that TE has identified as EU RoHS compliant have a maximum concentration of 0.1% by weight in homogenous materials for lead, hexavalent chromium, mercury, PBB, PBDE, DBP, BBP, DEHP, DIBP, and 0.01% for cadmium, or qualify for an exemption to these limits as defined in the Annexes of Directive 2011/65/EU (RoHS2). Finished electrical and electronic equipment products will be CE marked as required by Directive 2011/65/EU. Components may not be CE marked. Additionally, the part numbers that TE has identified as EU ELV compliant have a maximum concentration of 0.1% by weight in homogenous materials for lead, hexavalent chromium, and mercury, and 0.01% for cadmium, or qualify for an exemption to these limits as defined in the Annexes of Directive 2000/53/EC (ELV). Regarding the REACH Regulation, the information TE provides on SVHC in articles for this part number is based on the latest European Chemicals Agency (ECHA) 'Guidance on requirements for substances in articles' posted at this URL: <https://echa.europa.eu/guidance-documents/guidance-on-reach>

## Compatible Parts

 <p>TE Part # 179321-3 HYBRID MINI DRAWER TAB CONT.#1</p>	 <p>TE Part # 1-179321-2 HYBRID MINI DRWER TAB CONT.</p>	 <p>TE Part # CAT-AM7053-D797R MINI CT DRAWER RECEPTACLE HOUSINGS</p>	 <p>TE Part # 179322-3 HYBRID MINI DRAWER TAB CONT.#2</p>
 <p>TE Part # 1-179322-2 HYBRID MINI DRAWER TAB CONT.</p>	 <p>TE Part # 179317-2 HYBRID MINI DRAWER REC CONT.</p>	 <p>TE Part # 179322-2 HYBRID MINI DRAWER TAB CONT.</p>	

## Customers Also Bought



## Documents

### Product Drawings

#### PLUG ASSY FOR MINI CT HYBIRD D

English

### CAD Files

#### 3D PDF

3D

#### Customer View Model

[ENG\\_CVM\\_CVM\\_2-1674754-0\\_E.2d\\_dxf.zip](#)

English

#### Customer View Model

[ENG\\_CVM\\_CVM\\_2-1674754-0\\_E.3d\\_igs.zip](#)

English

#### Customer View Model

[ENG\\_CVM\\_CVM\\_2-1674754-0\\_E.3d\\_stp.zip](#)

English

By downloading the CAD file I accept and agree to the [Terms and Conditions](#) of use.

### Datasheets & Catalog Pages



## [Low Power Drawer Connectors QRG](#)

English

---

## [Product Specifications](#)

### [Product Specification](#)

English

---

## [Product Environmental Compliance](#)

### [MD\\_2-1674754-0\\_06232015106\\_dmtec](#)

English

### [MD\\_2-1674754-0\\_06232015106\\_dmtec](#)

English