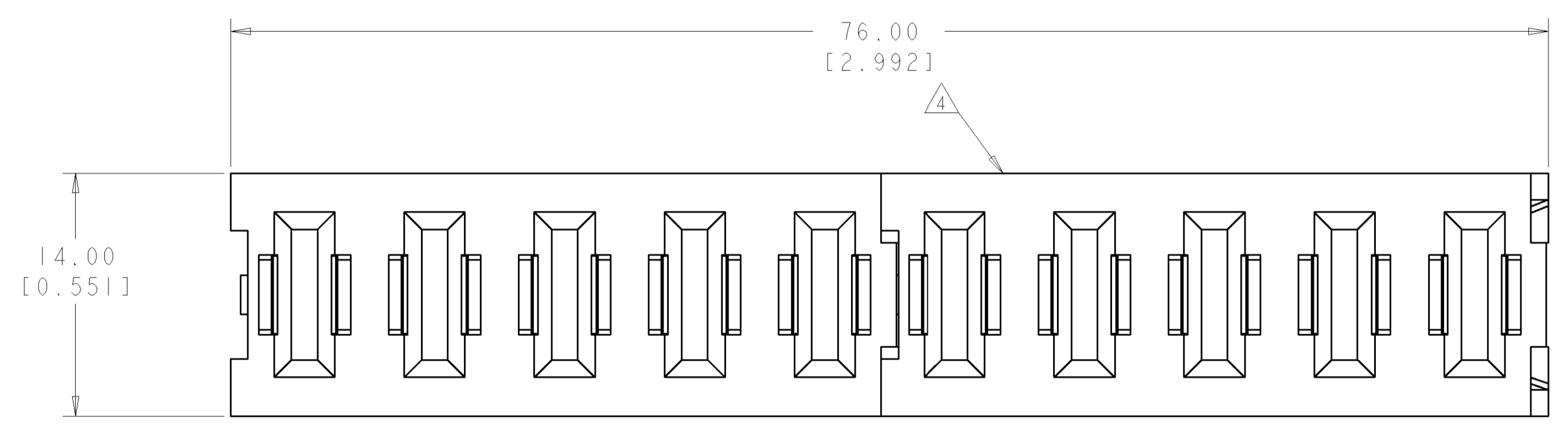


LOC	DIST	REVISIONS			
P	LTR	DESCRIPTION	DATE	DWN	APVD
A		RELEASED	02MAR2006	RG	SF



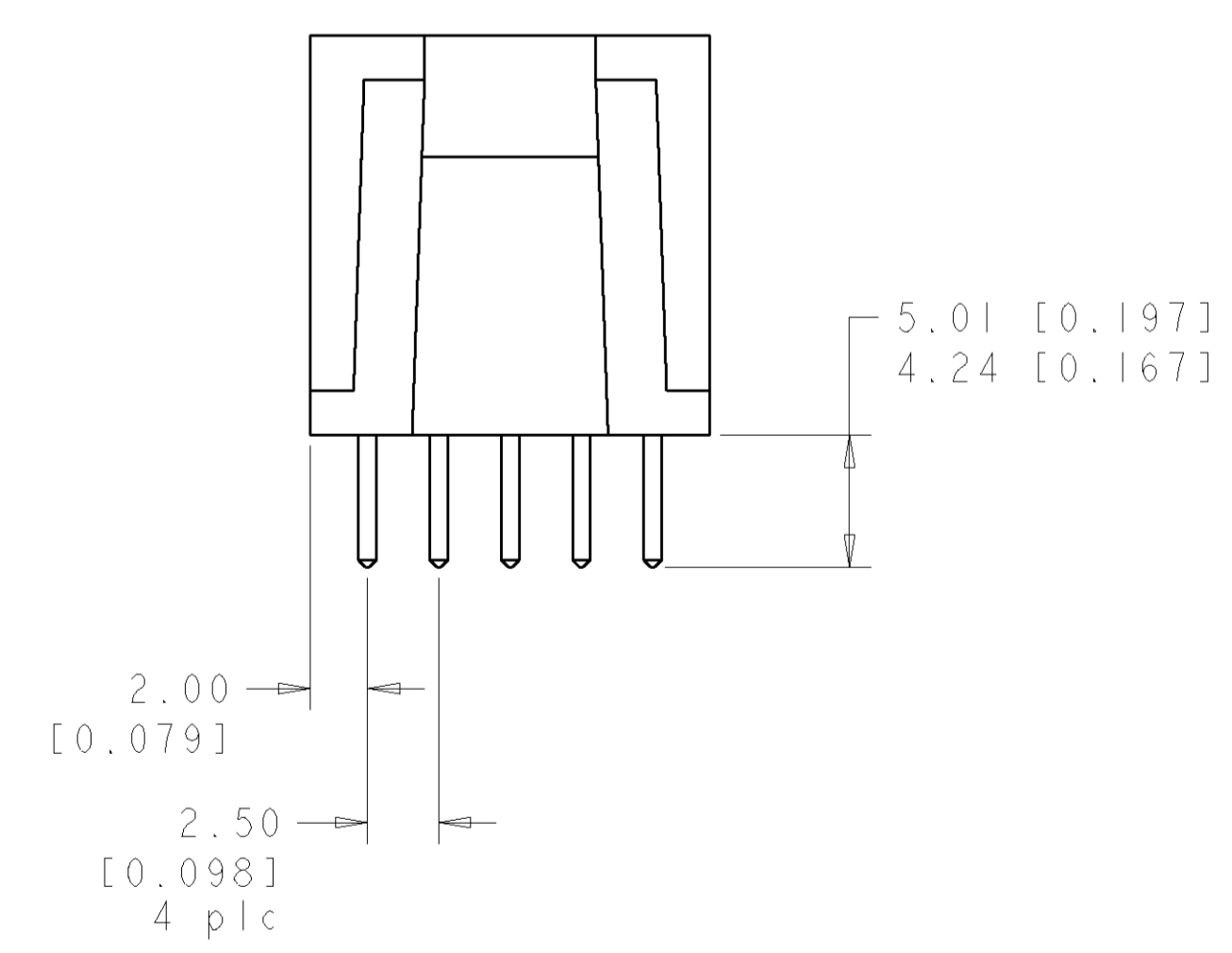
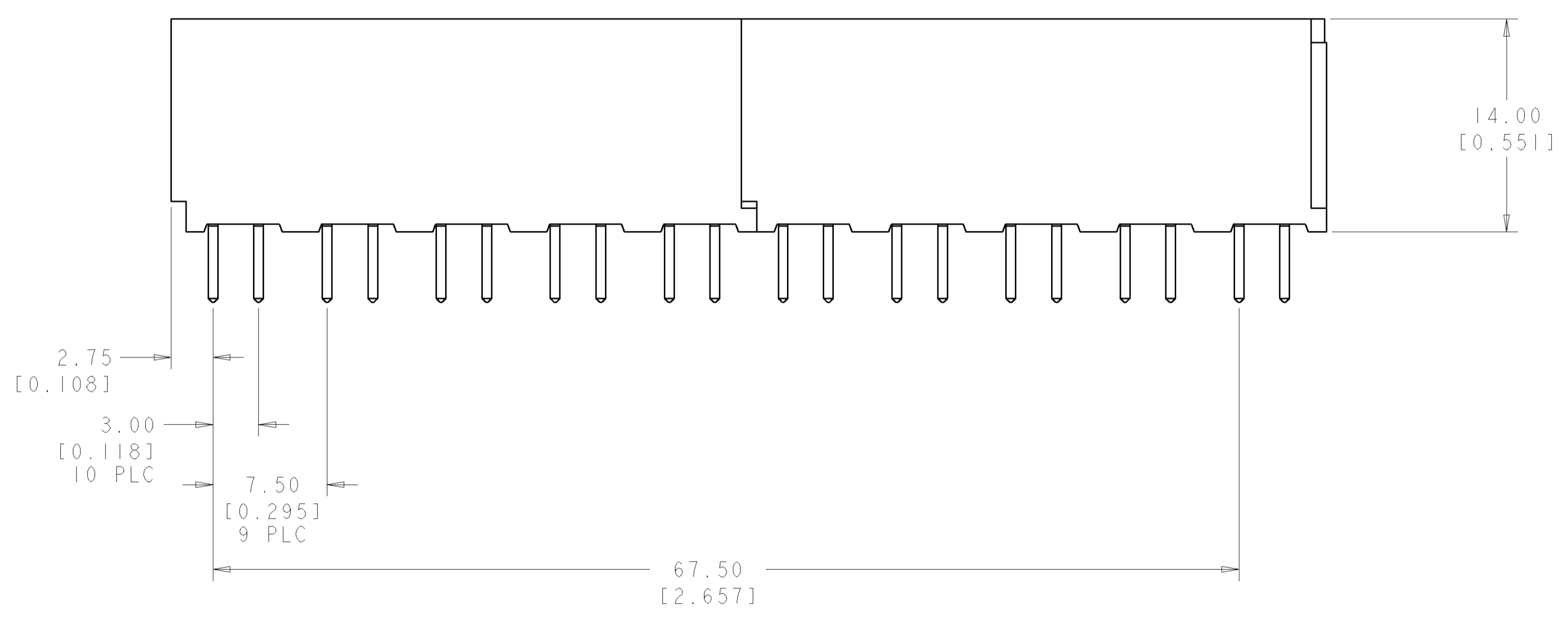
- PART NUMBER CHANGES AND OR DESIGN CHANGES AFFECTING ITEM INTERCHANGEABILITY REQUIRE PRIOR TYCO APPROVAL AND AUTHORIZATION BY REVISION TO THIS DRAWING.
- MATERIAL:
 - INSULATORS - THERMOPLASTIC, GLASS REINFORCED, COLOR: BLACK UL94V-0 FLAMMABILITY RATED.
 - SOLDER SIGNAL PIN: BRASS ALLOY
 - POWER CONTACTS - PHOSPHOR BRONZE ALLOY, COPPER ALLOY
 - CROWN BANDS - BERYLLIUM COPPER ALLOY
 - SIGNAL CONTACTS - BRASS ALLOY
- FINISH:
 - CONTACTS - GOLD PLATE .000030 INCH MIN. THK. OVER
 - NICKEL .000050 INCH MIN. THK.
 - SOLDER TAILS-TIN .000100 INCH MIN. THK. ALL OVER
 - NICKEL .000050 INCH MIN. THK.

△ ITEMS PROVIDED TO THIS SPECIFICATION TO BE PERMANENTLY IDENTIFIED PER THE FOLLOWING IDENTIFIER LABEL

YEAR WEEK
 (e.g. 0106)

TYCO PART NO. XXXXXXX-X DATE CODE XXXX

5. THIS CONNECTOR MATES WITH P/N 1926074-1.

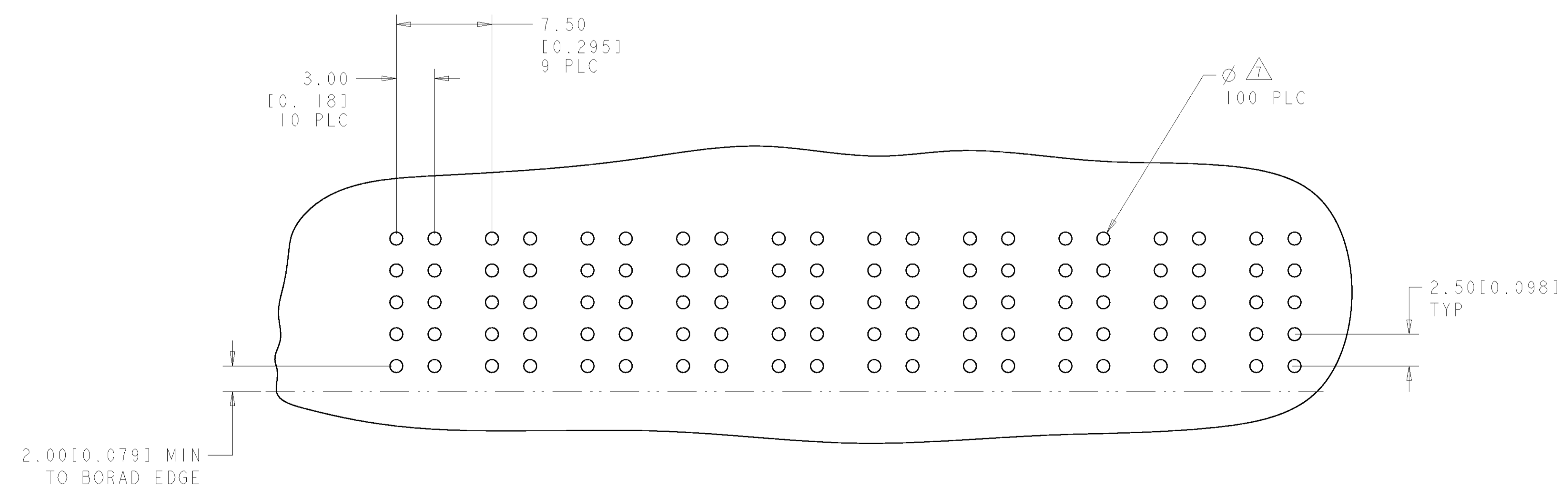


ELCON **FLATPAQ**

AS SHOWN		1926075-1	
DESCRIPTION		PART NUMBER	
DIMENSIONS: mm [INCHES] TOLERANCES UNLESS OTHERWISE SPECIFIED: 0 PLC ± 1 PLC ±.5 (.020) 2 PLC ±.25 (.010) 3 PLC ± 4 PLC ± ANGLES ±.5 FINISH - MATERIAL -		DWN R. GRZYBOWSKI 21MAR2006 ENR S. FLICKINGER 21MAR2006 APVD S. FLICKINGER 21MAR2006 PRODUCT SPEC APPLICATION SPEC WEIGHT - CUSTOMER DRAWING	
Tyco Electronics Harrisburg, PA 17105-3608		NAME TOP ASSEMBLY CONNECTOR SOCKET STRAIGHT, SOLDER TAILS SIZE CAGE CODE DRAWING NO. RESTRICTED TO A100779C=1926075	
SCALE 4:1		SHEET 1 OF 3 REV A	

LOC	DIST	REVISIONS					
GP	00	P	LTR	DESCRIPTION	DATE	DWN	APVD
-	-	-	-	SEE SHEET 1	-	-	-

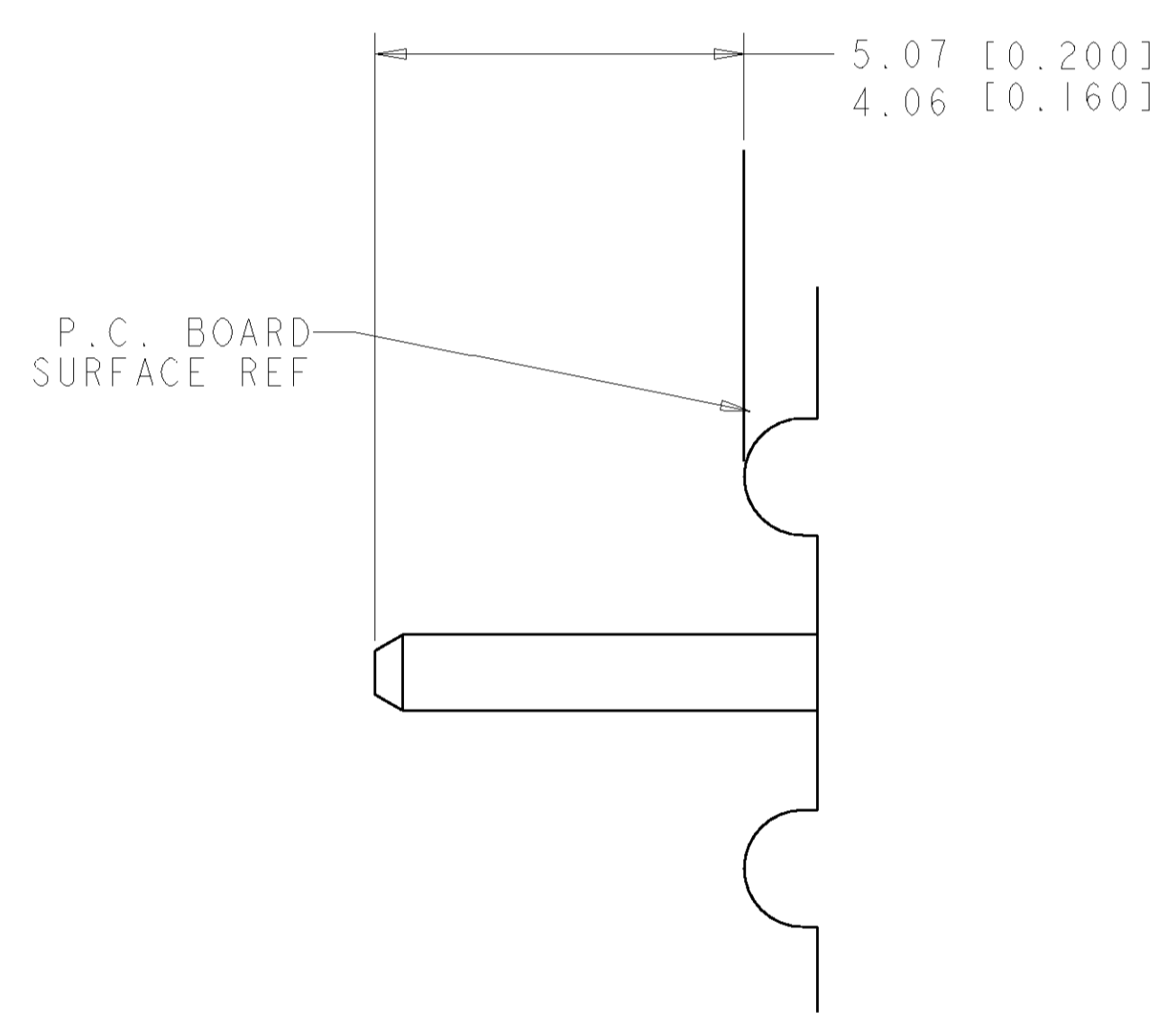
CONNECTOR	CATALOG MODULE #	QTY	SIZE NO.	CONTACT QTY	MATING PIN	MAX. CURRENT (PER CONTACT)	CONTACT SPACING	VOLTAGE RATING
SOCKET	FP100	10	8	10	1.25 X 7.00 [.049 X .276]	35 amps	7.50 [.2953]	250



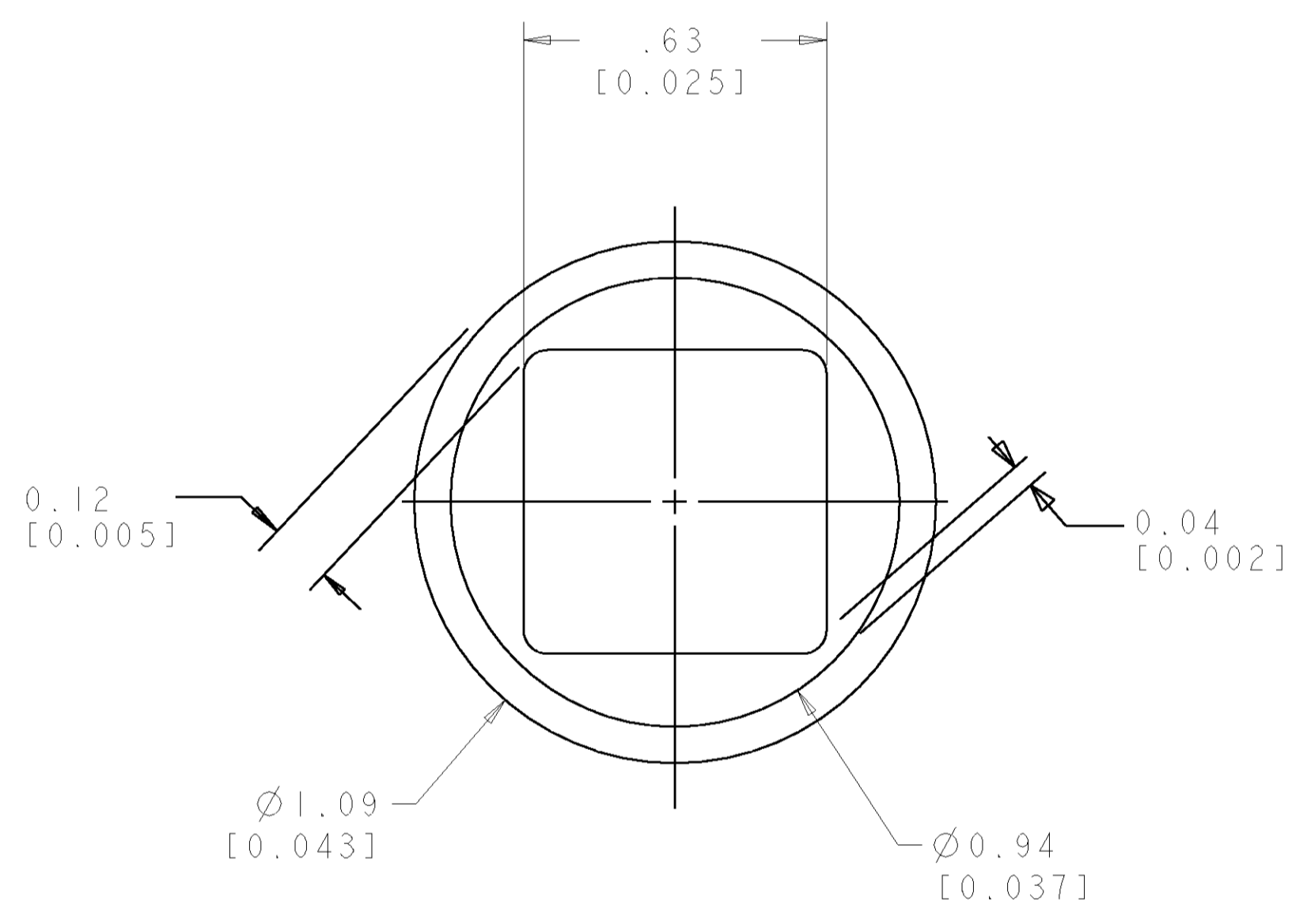
PRINTED CIRCUIT LAYOUT
 COMPONENT SIDE

<small>THIS DRAWING IS UNPUBLISHED. RELEASED FOR PUBLICATION. IT IS THE PROPERTY OF TYCO ELECTRONICS CORPORATION. IT IS TO BE USED ONLY FOR THE PURPOSES AND ORGANIZATION SPECIFIED HEREIN. IT IS NOT TO BE REPRODUCED OR TRANSMITTED IN ANY FORM OR BY ANY MEANS, ELECTRONIC OR MECHANICAL, INCLUDING PHOTOCOPYING, RECORDING, OR BY ANY INFORMATION STORAGE AND RETRIEVAL SYSTEM, WITHOUT THE WRITTEN PERMISSION OF TYCO ELECTRONICS CORPORATION.</small>		DWN B. GRZYBOWSKI 21MAR2006 CHK S. FLICKINGER 21MAR2006 APVD S. FLICKINGER 21MAR2006	tyco Electronics Tyco Electronics Harrisburg, PA 17105-3608
DIMENSIONS: mm [INCHES]	TOLERANCES UNLESS OTHERWISE SPECIFIED: 0 PLC ±. 1 PLC ±.5 [.020] 2 PLC ±.25 [.010] 3 PLC ±. 4 PLC ±. ANGLES ±.5	PRODUCT SPEC APPLICATION SPEC WEIGHT CUSTOMER DRAWING	NAME TOP ASSEMBLY CONNECTOR SOCKET STRAIGHT, SOLDER TAILS SIZE CAGE CODE DRAWING NO A100779C=1926075 RESTRICTED TO SCALE 4:1 SHEET 2 OF 3 REV A

LOC	DIST	REVISIONS			
P	LTR	DESCRIPTION	DATE	DWN	APVD
-	-	SEE SHEET 1	-	-	-



6. SOLDER TAIL DETAIL
SCALE 10 : 1



△ SOLDER TERMINATION AREA
 SCALE 40:1
 RECOMMENDED PRINTED CIRCUIT HOLE
 SOLDER TAIL
 FINISHED HOLE: Ø1.02 [.040] ±.08 [.003]
 DRILLED HOLE: Ø1.15 [.0453] ±.013 [.0005]
 COPPER PLATE: .025 [.0010] MIN. (PER SURFACE)
 TIN PLATE: .008 [.0003] MIN. (PER SURFACE)

<small>THIS DRAWING IS UNPUBLISHED. RELEASED FOR PUBLICATION. ALL RIGHTS RESERVED. © 2000 BY TYCO ELECTRONICS CORPORATION.</small>		DWN: B. GRZYBOWSKI 21MAR2006 CHK: S. FLICKINGER 21MAR2006 APVD: S. FLICKINGER 21MAR2006	tyco Tyco Electronics Harrisburg, PA 17105-3608
DIMENSIONS: mm [INCHES]	TOLERANCES UNLESS OTHERWISE SPECIFIED: 0 PLC ±. 1 PLC ±.5 [.020] 2 PLC ±.25 [.010] 3 PLC ±. 4 PLC ±. ANGLES ±.5	PRODUCT SPEC APPLICATION SPEC WEIGHT CUSTOMER DRAWING	NAME: TOP ASSEMBLY CONNECTOR SOCKET STRAIGHT, SOLDER TAILS SIZE: A 00779 C=1926075 SCALE: 4:1 SHEET 3 OF 3 REV A