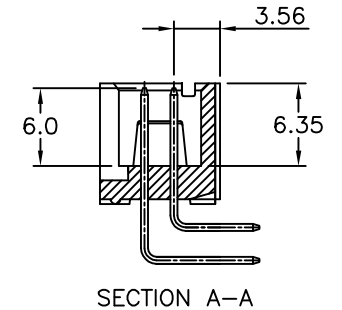
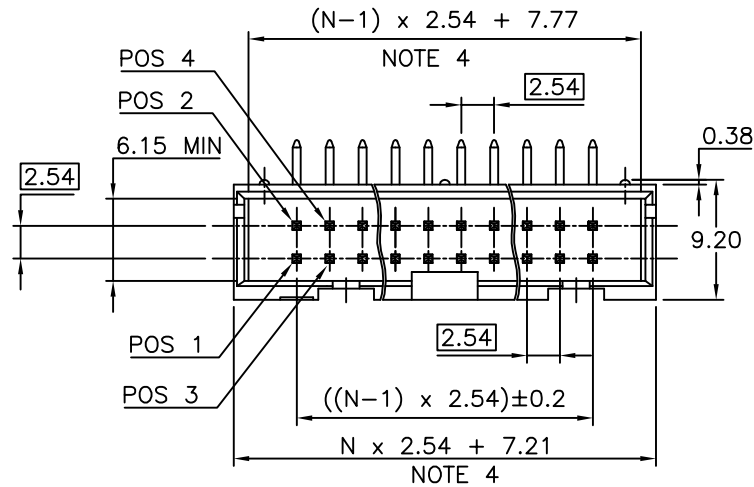


PRODUCT NUMBER  
10087121-7XXLF

PLATING  
0.05µm Au FULL PLATED  
OVER 1.27µm Ni MIN

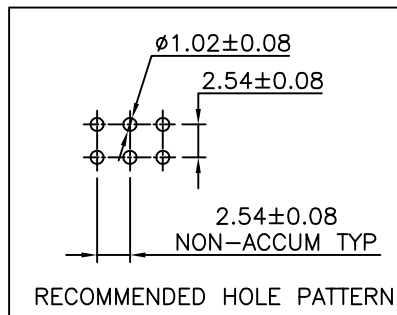
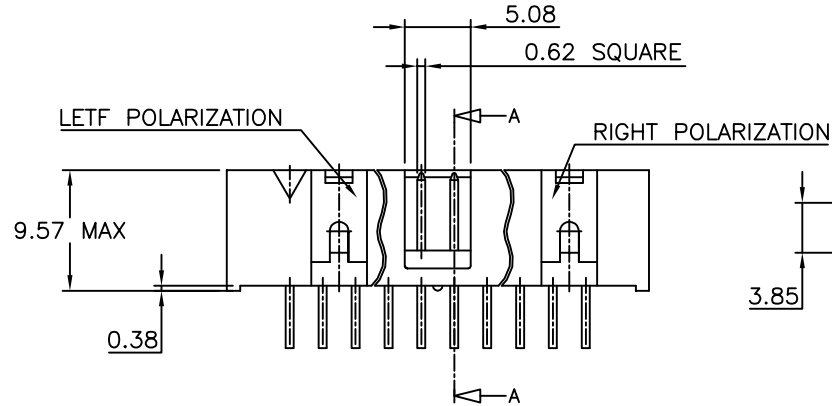
INDICATES THE PRODUCT IS RoHS  
COMPATIBLE, SEE NOTE 5

PIN STYLE	SIZE
06	2x3
08	2x4
10	2x5
14	2x7
16	2x8
18	2x9
20	2x10
26	2x13
30	2x15
34	2x17
40	2x20
44	2x22
50	2x25
60	2x30
64	2x32



NOTES:

- 1 - HOUSING MAT'L : GLASS FILLED THERMOPLASTIC. UL94V-0 COLOR: BLUE
- 2 - PIN MATERIAL : BRASS
- 3 - PRODUCT PACKAGED IN TUBES.
- 4 - TO DETERMINE DIMENSIONS :  
N = NUMBER OF POSITIONS PER ROW  
EXAMPLE : 8 POS N x 2.54 = 20.32mm
- 5 - RoHS COMPATIBLE PRODUCT SPECIFICATIONS
  - a - PLATING:
    - "LF" MEANS THE PRODUCT IS LEAD-FREE, 2µm MINIMUM MATTE TIN OVER 1.27µm MINIMUM NICKEL UNDERPLATE.
  - b - MANUFACTURING PROCESS COMPATIBILITY
    - THE HOUSING WILL WITHSTAND EXPOSURE TO 260°C ±5°C SOLDER BATH TEMPERATURE FOR 5 SECONDS IN A WAVE SOLDER APPLICATION WITH A 1.6mm MIN THICK CIRCUIT BOARD.
  - c - LABELLING:
    - MEETS PACKAGING SPECS AS PER GS-14-920
  - d - LEGAL STATEMENT: SEE GS-47-0004



mat'l. code		surface	tolerance	projection	product family
		ISO 1302	ISO 406 ISO 1101		QUICKIE
ltr		tolerances unless otherwise specified		mm	title
A	F08-0149	LMU	08.03.27	.X ±0.3	QKIE SSLIM HDR
B	B-19070	LMU	14.10.15	.XX ±0.13	RA 0.05µm AU
C	B-19564	BVE	14.12.01	.XXX ±0.05	scale 2.5:1
		dr	J.COMPAGNON	08.03.07	dwg no
		engr	L.MULIN	08.03.07	sheet 1 of 1 size
		chr			10087121 A3
		appd	L.MULIN	08.03.07	type
					CUSTOMER Drawing
sheet index	revision sheet				