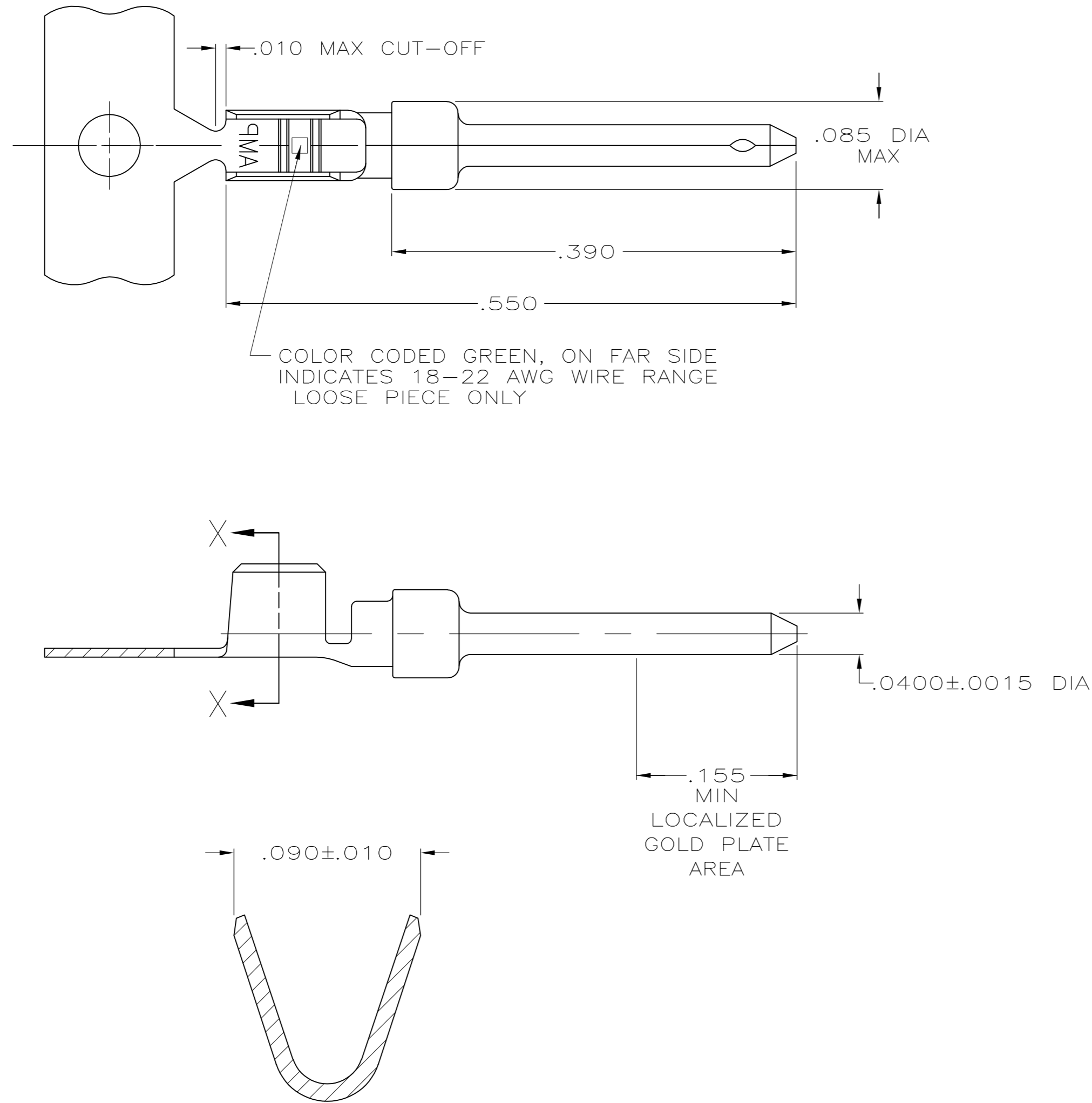


THIS DRAWING IS UNPUBLISHED. RELEASED FOR PUBLICATION
 © COPYRIGHT - By - ALL RIGHTS RESERVED.

LOC	DIST	REVISIONS			
P	LTR	DESCRIPTION	DATE	DWN	APVD
GP	00				
	K2	REVISED PER ECO-11-017434	19DEC2011	CJV	CWR



SECTION X-X
 WIRE BARREL
 SCALE 20:1

- 1 FOR MINI-APPLICATOR.
- 2 FOR HAND TOOL USE ONLY.
- 3. WIRE RANGE OF 18-22 AWG.
- 4. .068 MAX INSULATION DIAMETER ALLOWABLE WHEN USING 91067-2 EXTRACTION TOOL.
- 5. GOLD PLATING MAY NOT APPEAR ON CARRIER STRIP.
- 6 GOLD PLATING PER MIL-G-45204.
 NICKEL PLATING PER QQ-N-290.
 TIN PLATING PER MIL-T-10727.
- 7 GOLD PLATED IN LOCALIZED GOLD PLATE AREA AS FOLLOWS:
 .000030 MIN GOLD IN MATED AREA,
 GOLD FLASH ON REMAINDER OF CONTACT, ALL OVER .000050
 MIN NICKEL UNDERPLATE.
 OR
 GOLD FLASH OVER
 PALLADIUM-NICKEL PLATE, .000030 MIN TOTAL IN MATED AREA,
 GOLD FLASH ON REMAINDER OF CONTACT, ALL OVER
 .000050 MIN NICKEL UNDERPLATE.
- 8 PLATED WITH GOLD FLASH OVER
 .000050 MIN NICKEL.
- 9 PLATED WITH GOLD FLASH IN LOCALIZED GOLD PLATE AREA,
 TIN PLATED WIRE BARREL, OVER
 .000030 NICKEL.
- 10 GOLD PLATED IN LOCALIZED GOLD PLATE AREA
 .000030 GOLD IN MATED AREA,
 TIN PLATED WIRE BARREL, OVER
 .000050 NICKEL.
- 11 OBSOLETE.
- 12 SUPERSEDED BY 745229-4

10	11-745229-3	11-745229-1
9	11-745229-0	11-745229-8
8	745229-7	745229-5
7	745229-4	745229-2
FINISH	LOOSE PIECE 2	PART NUMBER 1

THIS DRAWING IS A CONTROLLED DOCUMENT.		DWN	9-9-86	TE Connectivity	
DIMENSIONS: INCHES		S. WELDON	9-9-86		
TOLERANCES UNLESS OTHERWISE SPECIFIED:		CHK	9-9-86		
0 PLC ± -		C. RICHARD	9-9-86	NAME	
1 PLC ± -		APVD	9-10-86	V. KUMAR	
2 PLC ± -		PRODUCT SPEC		PIN CONTACT, SIZE 20 DF, 18-22 AWG, .068 MAX INSULATION DIA	
3 PLC ± .005		APPLICATION SPEC		SIZE	CAGE CODE
4 PLC ± -				A2	00779
ANGLES ± -				DRAWING NO	RESTRICTED TO
FINISH SEE TABLE				C=745229	-
MATERIAL BRASS PER MIL-C-50		WEIGHT	-	SCALE	SHEET
		CUSTOMER DRAWING		10:1	1 of 1
				REV	K2