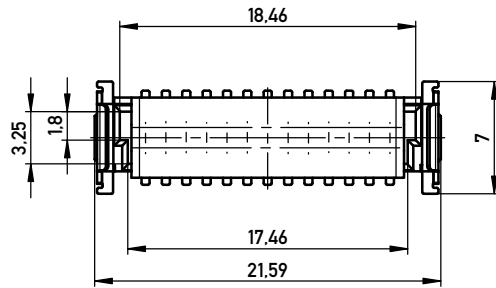
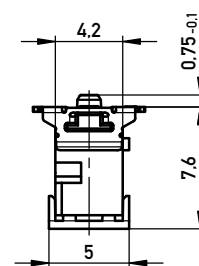
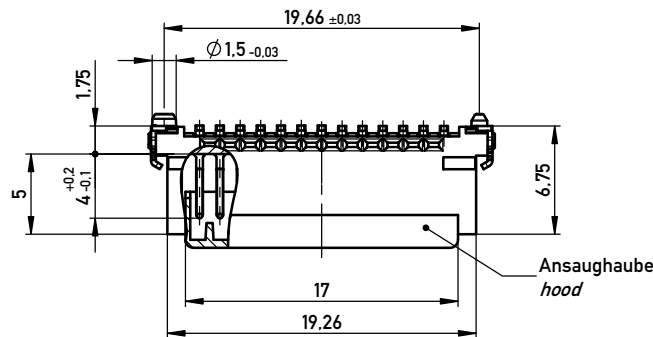
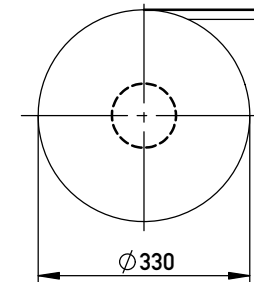
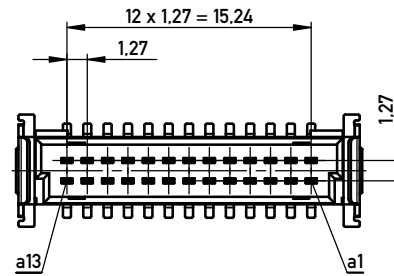


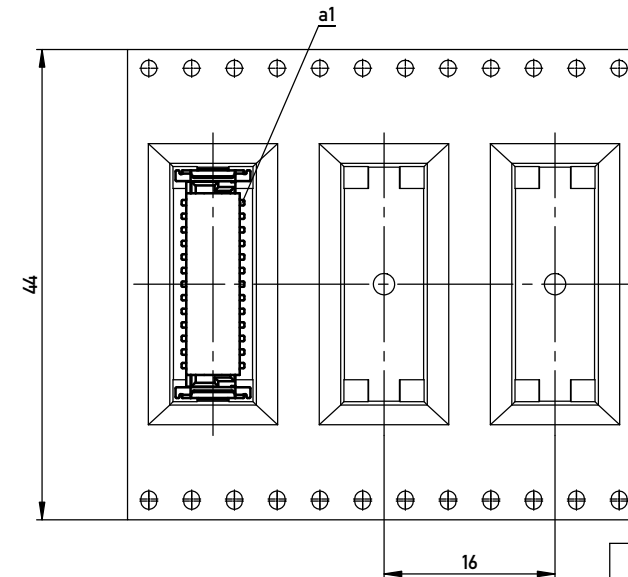
Verpackt im Gurt nach DIN IEC 60286-3
 Tape on Reel Packaging according to DIN IEC 60286-3
 Verpackungseinheit: 280 Stück
 Packaging unit: 280 pcs



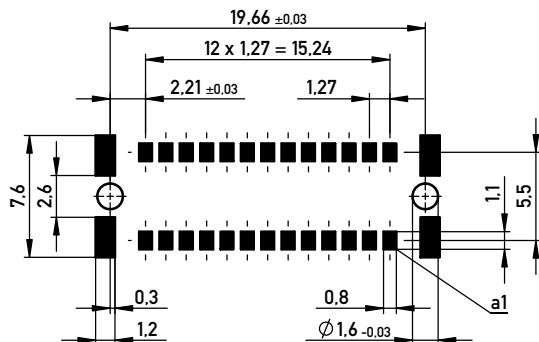
ohne Ansaughaube - without hood



Abspulrichtung - Reel off Direction



Leiterplatten-Layout Vorschlag für SMT
 PCB-Layout Proposal for SMT



Anforderungsstufe 1
 Performance Level 1

Kontaktbereich vergoldet
 Mating Area gold plating

Anschlussbereich verzinkt 4-6 µm
 Terminal Area 4-6 µm tin plating

Koplanarität der Anschlüsse ≤ 0,1 mm
 Coplanarity Area of Termination ≤ 0,1 mm

BA 8-13 - 8mm Bauhöhe
 type 8-13 - Low Profile

Information:		Tolerances	Scale 3:1	Designation	
All rights reserved. Only for Information. To ensure that this is the latest version of this drawing, please contact one of the ERNI companies before using.		 All Dimensions in mm	 Scale 3:1	Messerl. SMC-Q 26-SMD-BA8-13 Male SMC-Q 26-SMD-type 8-13	
Subject to modification without prior notice. Drawing will not be updated.				www.ERNI.com 244837	
e	30.06.2015	Class		SMCQ	
Index	Date			I A3	

Copyright by ERNI GmbH. Proprietary notice pursuant to ISO 9006 to be observed.