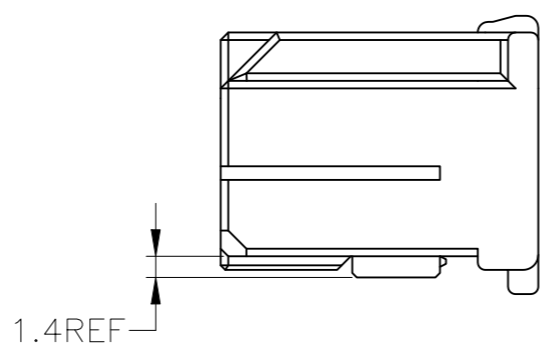
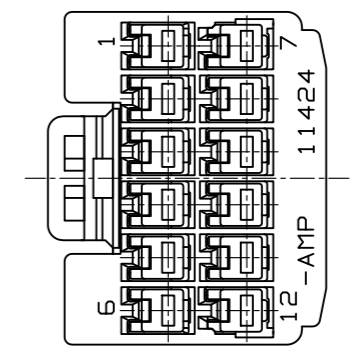
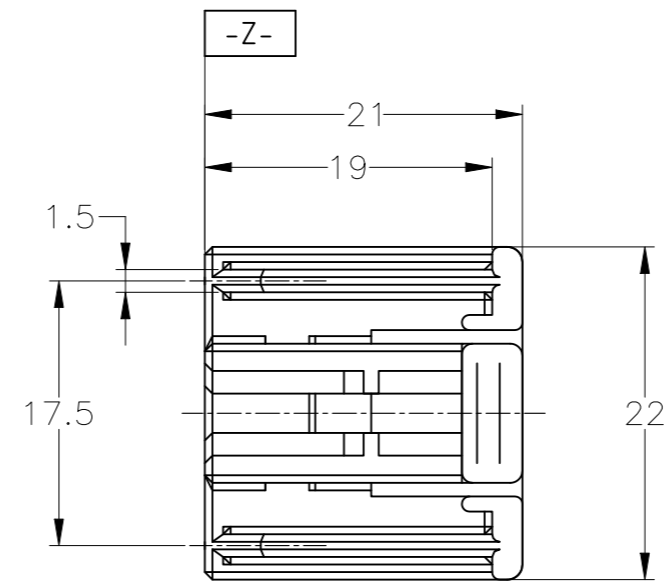
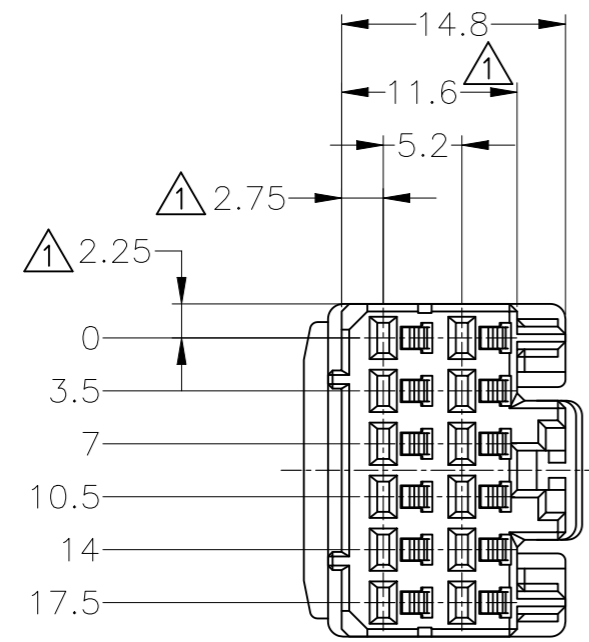


REVISIONS 変更					
P	LTR	DESCRIPTION	DATE	DWN	APVD
	C2	REVISED PER ECR-22-154840	07DEC2022	RK	MT



- ① MUST BE KEPT BETWEEN -Z- AND 2mm.
- 2. THE MATING CAP HOUSING PART NUMBER;  
175444, 175448, 176255, 178093
- 3. APPLIED CONTACT PART NUMBER;  
175275, 175276, 175268, 175269
- 4. APPLICABLE PRODUCT SPEC No. 108-5342
- ⑤ RETAINER COLOR; ALL WHITE
- ① -Z- 面より 2mm の範囲で測定。
- 2. 嵌合相手ハウジング型番;  
175444, 175448, 176255, 178093
- 3. 内装するリセプタクルコンタクト型番;  
175275, 175276, 175268, 175269
- 4. 適用製品規格番号 108-5342
- ⑤ リテーナは全て白色

	LIGHT GRAY	6-917978-6
	YELLOW	917978-7
353437-6	GRAY	917978-6
OBSOLETE	BLUE	917978-5
OBSOLETE	BLACK	917978-2
	WHITE	917978-1
PACKING, BLISTER TRAY	⑤ COLOR	PART NUMBER

TOLERANCE UNLESS OTHERWISE SPECIFIED: 一般公差	
0 < x ≤ 10	: ±0.2
10 < x ≤ 30	: ±0.25
30 < x ≤ 100	: ±0.3
ANGLE ; 角度	: ±3°

THIS DRAWING IS A CONTROLLED DOCUMENT.	
DIMENSIONS: 単位: 耗 mm	TOLERANCES UNLESS OTHERWISE SPECIFIED: 一般公差
	0 PLC ± - 1 PLC ± - 2 PLC ± - 3 PLC ± - 4 PLC ± - ANGLES ± -
MATERIAL 材料 PBT	FINISH 仕上 -

DWN T.SHINOHARA 04FEB04	<b>STE</b> TE Connectivity		RESTRICTED TO -
CHK K.BETSUI 04FEB04			
APVD K.BETSUI 04FEB04	NAME 名称 040/070 HYBRID I/O CONNECTOR MK-II 12POSITION PLUG HOUSING (POWER)		
PRODUCT SPEC 製品規格 SEE NOTE 4	SIZE A3	CAGE CODE 00779	DRAWING NO 番号 C-917978
APPLICATION SPEC 取付適用規格 -	WEIGHT 3.9 g	SCALE 尺度 2:1	SHEET 1 OF 1
CUSTOMER DRAWING		REV C2	