

W1G200-EA95-68

# EC axial fan - ESM

sickle-shaped blades (S series), single-intake

ESM fan housing

## ebm-papst Mulfingen GmbH & Co. KG

Bachmühle 2 · D-74673 Mulfingen

Phone +49 7938 81-0

Fax +49 7938 81-110

info1@de.ebmpapst.com

www.ebmpapst.com

Limited partnership · Headquarters Mulfingen

Amtsgericht (court of registration) Stuttgart · HRA 590344

General partner Elektrobau Mulfingen GmbH · Headquarters Mulfingen

Amtsgericht (court of registration) Stuttgart · HRB 590142

## Nominal data

Type	W1G200-EA95-68	
Motor	M1G055-BD	
Phase		1~
Nominal voltage	VAC	115
Frequency	Hz	50/60
Method of obtaining data		ml
Speed	min <sup>-1</sup>	1300
Power consumption	W	10
Current draw	A	0.15
Min. ambient temperature	°C	-30
Max. ambient temperature	°C	50

ml = Max. load · me = Max. efficiency · fa = Free air · cs = Customer specification · ce = Customer equipment  
Subject to change



### Technical description

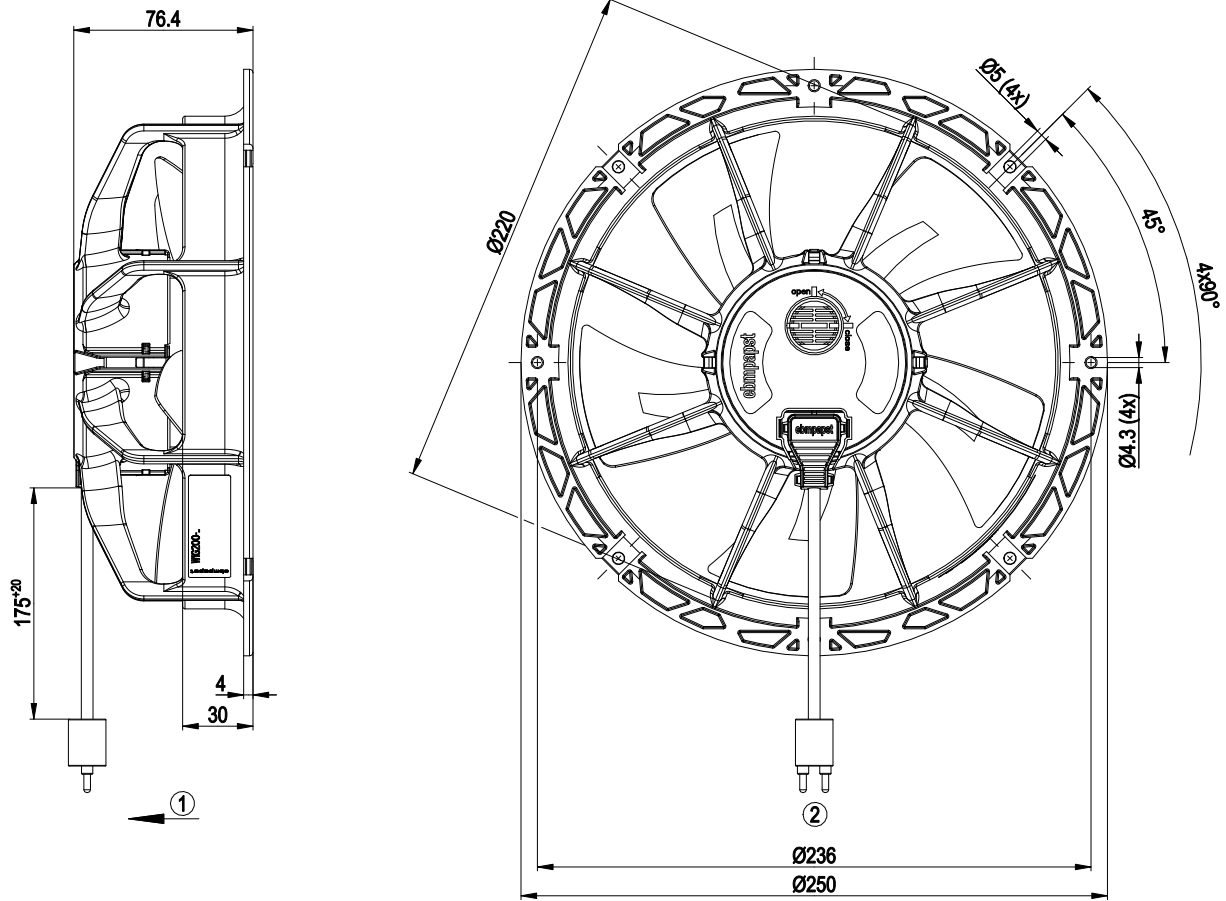
<b>Weight</b>	1 kg
<b>Fan size</b>	200 mm
<b>Rotor surface</b>	Painted black
<b>Blade material</b>	Sheet steel, painted black
<b>Fan housing material</b>	PP plastic
<b>Number of blades</b>	5
<b>Direction of rotation</b>	"V"
<b>Degree of protection</b>	IP54
<b>Insulation class</b>	"B"
<b>Moisture (F) / Environmental (H) protection class</b>	H1
<b>Max. permitted ambient temp. for motor (transport/storage)</b>	+ 80 °C
<b>Min. permitted ambient temp. for motor (transport/storage)</b>	- 40 °C
<b>Installation position</b>	Any
<b>Condensation drainage holes</b>	None
<b>Mode</b>	S1
<b>Motor bearing</b>	Ball bearing
<b>Technical features</b>	<ul style="list-style-type: none"> <li>- ESM+ expandable with plug-in module</li> <li>- Soft start</li> <li>- Thermal overload protection for motor</li> </ul>
<b>Motor protection</b>	Thermal overload protector (TOP) internally connected
<b>With cable</b>	Lateral
<b>Protection class</b>	II
<b>Conformity with standards</b>	EN 60335-1; EN 60335-2-24; EN 60335-2-80; EN 60335-2-89
<b>Approval</b>	CSA C22.2 No. 77; UL 1004-3

# EC axial fan - ESM

sickle-shaped blades (S series), single-intake

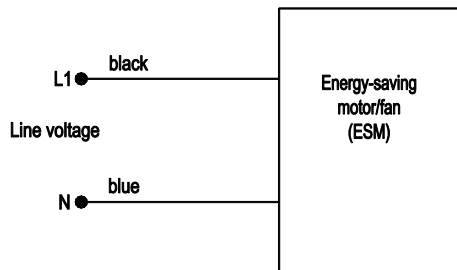
ESM fan housing

## Product drawing

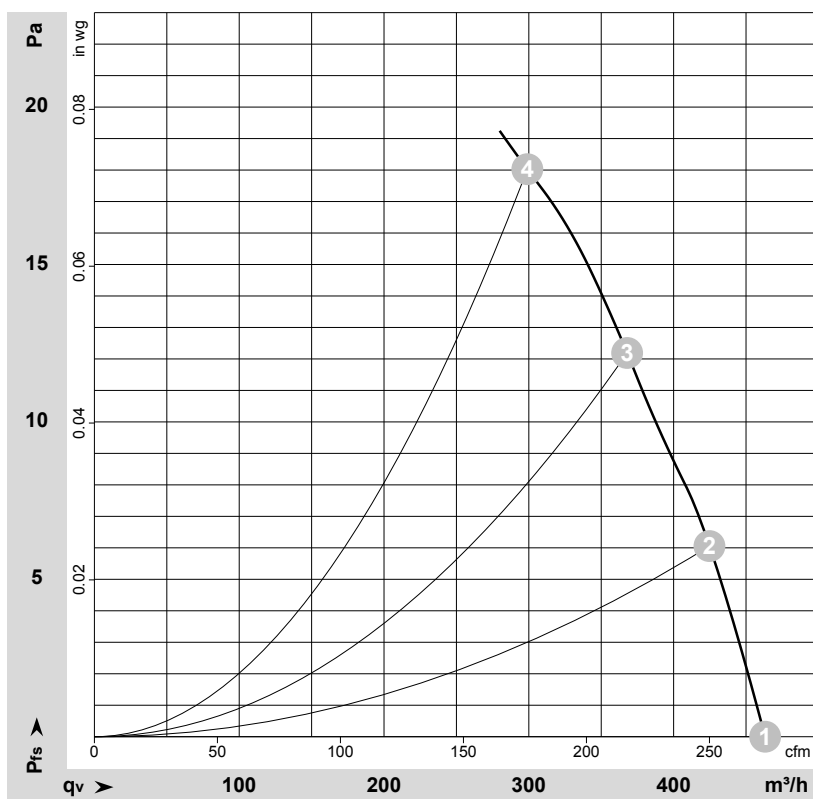


- |   |  |
|---|--|
| 1 | Direction of air flow "V"  |
| 2 | Cable PVC AWG18, connector housing compatible with EMF Corporation P-2-1-075, 2x plug contact tyco 61013-2 |

## Connection diagram



## Curves: Air performance 50 Hz



$$\rho = 1.15 \text{ kg/m}^3 \pm 2 \%$$

Measurement: LU-119238

Air performance measured according to ISO 5801 installation category A. For detailed information on the measurement setup, contact ebm-papst. Intake sound level: Sound power level according to ISO 13347 / sound pressure level measured at 1 m distance from fan axis. The values given are valid under the specified measuring conditions and may vary due to conditions of installation. For deviations from the standard configuration, the parameters have to be checked on the installed unit.

## Measured values

	U	f	n	P <sub>ed</sub>	I	qv	p <sub>fs</sub>
	V	Hz	min <sup>-1</sup>	W	A	m <sup>3</sup> /h	Pa
1	115	50	1300	8.0	0.12	465	0
2	115	50	1300	10.0	0.14	425	6
3	115	50	1300	10.0	0.15	370	12
4	115	50	1300	10.0	0.15	300	18

U = Power supply · f = Frequency · n = Speed · P<sub>ed</sub> = Power consumption · I = Current draw · qv = Air flow · p<sub>fs</sub> = Pressure increase