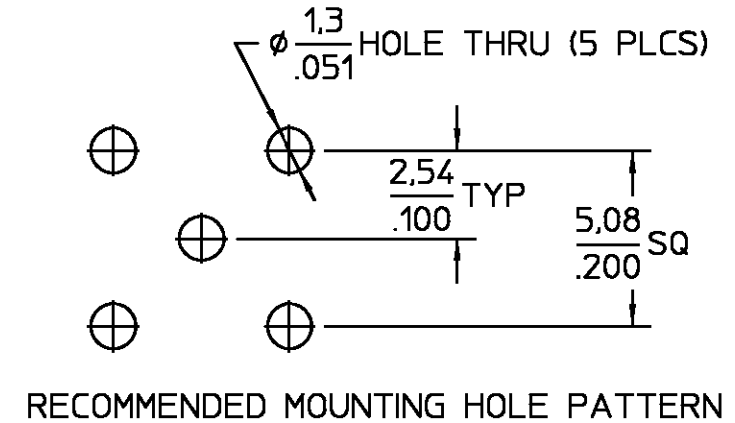
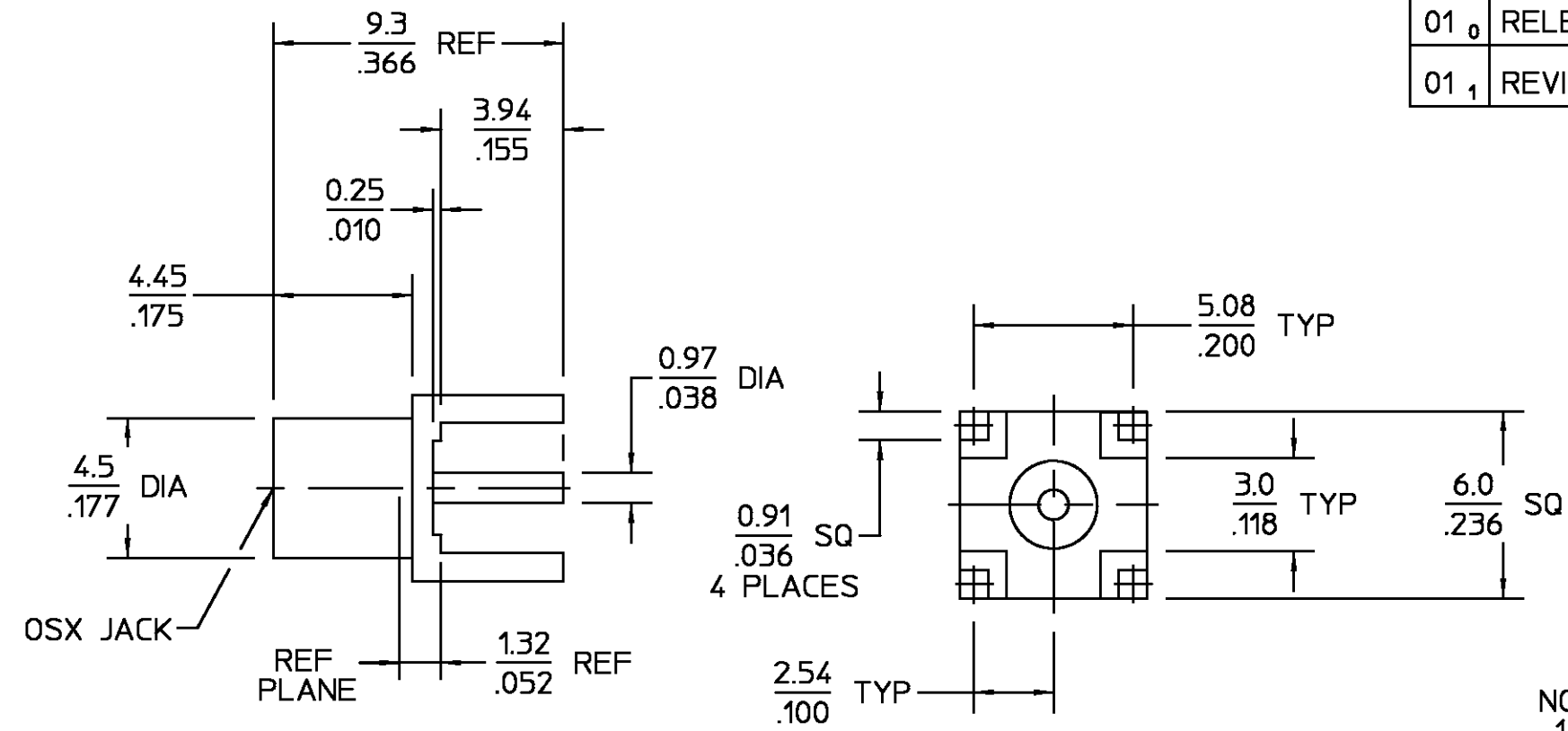


REVISIONS			
REV	DESCRIPTION	DATE	APPROVED
01 ₀	RELEASED	8/24/95 8/24/95	<i>DPG</i>
01 ₁	REVISED	DM 3/15/99	<i>Wag</i> 3/16/99



NOTES:
1. CAPTURED CENTER CONTACT

ELECTRICAL	MECHANICAL	ENVIRONMENTAL	HOUSING	MATERIAL	FINISH
Nominal Impedance (Ohms) <u>50</u> Frequency Range (GHz) <u>DC TO 6.0</u> Voltage Rating (VRMS MAX) <u>335 @ Sea level</u> VSWR <u>N/A</u> Insertion Loss <u>N/A</u> Corona, 70,000 Ft (VRMS MIN) <u>250</u> D.W.V. (VRMS MIN) <u>1000</u> Contact Resistance Center Contact (Milliohms MAX) <u>5.0</u> Outer Contact (Milliohms MAX) <u>1.0</u> RF High Potential (VRMS MIN @ 5 MHz) <u>670</u> I.R. (Megohms Min) <u>10,000</u>	Force to Engage: (Lbs) <u>3.4 MAX</u> Force to Disengage: (Lbs) <u>1.77 MIN - 4.5 MAX</u> Center Contact Captivation: Axial <u>4.5lbs @ 1 minute</u> with <u>.006"</u> displacement <u>XX.XX = mm</u> <u>.XXX = in</u>	Temperature Rating <u>-65°C to +165°C</u> Vibration <u>MIL-STD-202, Method 204,</u> <u>Condition B</u> Thermal shock <u>MIL-STD-202, Method 107,</u> <u>Condition B</u> Moisture Resistance <u>MIL-STD-202, Method 106</u> Corrosion <u>MIL-STD-202,</u> <u>Method 101, Condition B,</u> <u>48 Hrs</u>	BRASS PER ASTM-B-16, HALF HARD A582, TYPE 303 TFE FLUOROCARBON PER ASTM-D-1457 BERYLLIUM COPPER PER ASTM-B-196 OR ASTM-B-197, ALLOY C17300, CONDITION H	GOLD PLATE PER MIL-G-45204 N/A GOLD PLATE PER MIL-G-45204	
UNLESS OTHERWISE SPECIFIED DIMENSIONS ARE IN MILLIMETERS TOLERANCE ON DEC ANGLES <u>±0.15</u> ° °			DRAWN BY <u>D. GRAVINA</u> DATE <u>8/24/95</u>	AMP Incorporated 140 Fourth Avenue Waltham, MA 02451-7599	
These drawings and specifications are the property of AMP incorporated and shall not be reproduced or copied or used in whole or in part as the basis for the manufacture or sale of item(s) without written permission.			CHECKED BY <u>DPG</u> 8/24/95	TITLE OSX PRINTED WIRING BOARD JACK RECEPTACLE STRAIGHT TERMINAL	
APP'D BY <i>[Signature]</i> 8/24/95			USE ASSY PROCEDURE NO. AP. <u>N/A</u>	SIZE <u>B</u>	CODE IDENT NO. <u>26805</u>
				SCALE <u>5:1</u>	REV <u>01₁</u>
				SHEET 1 OF 1	

CUSTOMER DRAWING

AMP PART # 1330126-1
SHEET 1 OF 1 REV A