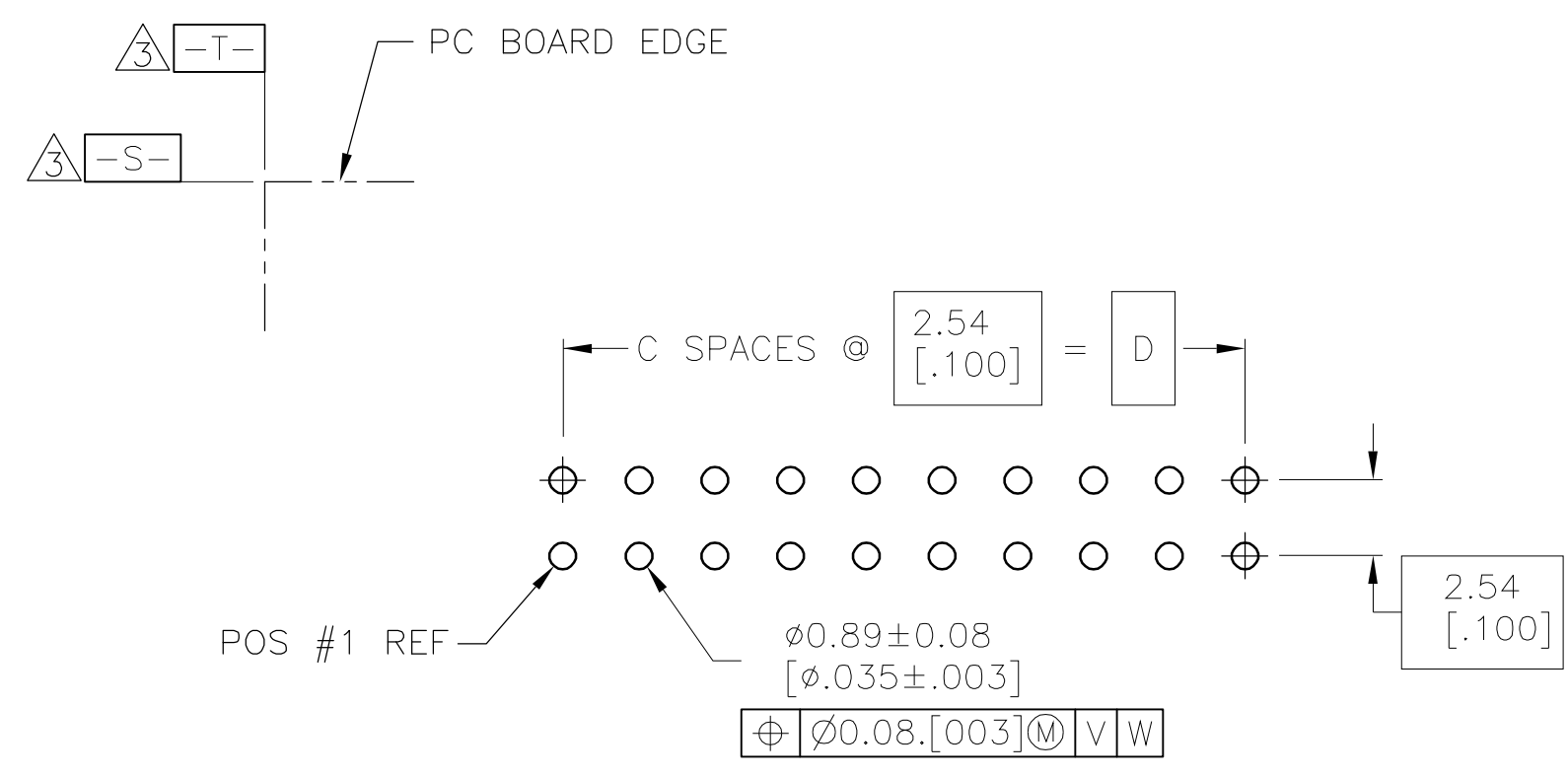
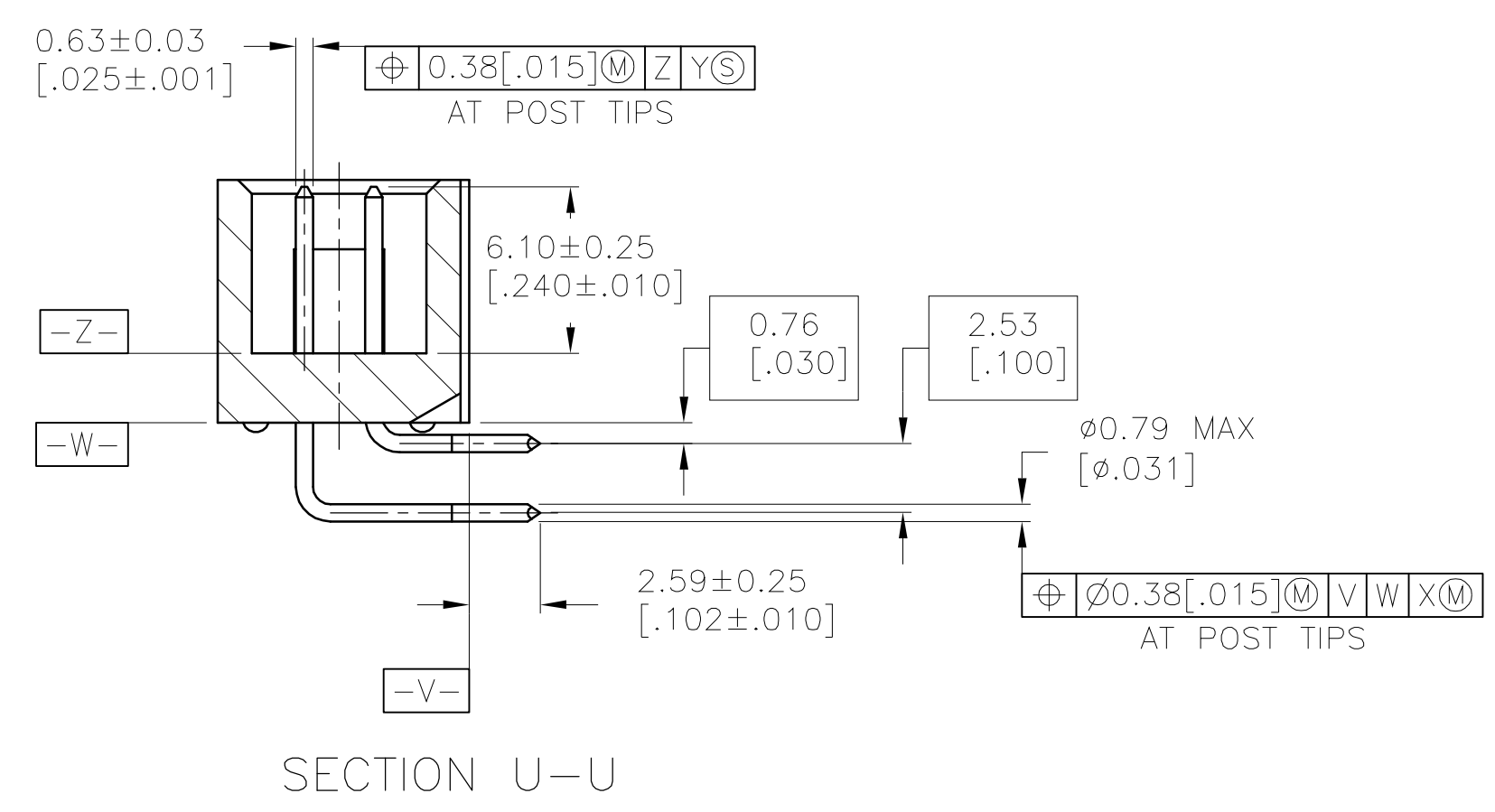
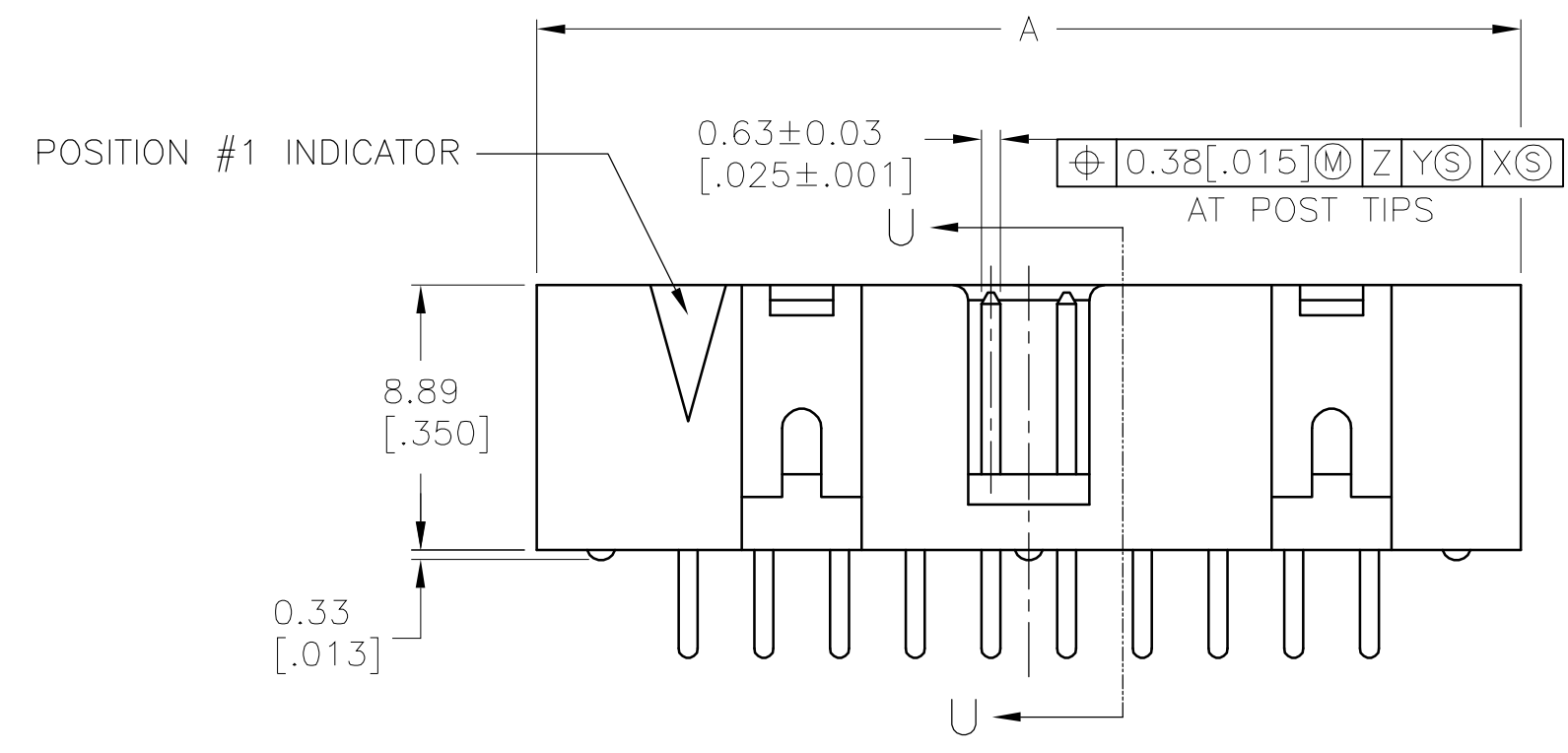


- 1 HOUSING: PBT, UL94V-0, COLOR: BLACK.
POSTS: PHOSPHOR BRONZE.
- 2 POSTS: 0.00038[.000015] MIN GOLD ON MATING AREA, 0.00254[.000100] MIN TIN ON SOLDER END, ALL OVER 0.00127[.000050] MIN NICKEL ON ENTIRE POST.
- 3 DATUMS S & T TO BE ESTABLISHED BY CUSTOMER.
- 4 NO KEYING SLOT ON THIS END FOR 10 & 14 POSITION ASSEMBLIES.
- 5 NO KEYING SLOT ON THIS END FOR 10 POSITION ASSEMBLY.



RECOMMENDED PC BOARD LAYOUT
(VIEWED FROM CONNECTOR SIDE)

OBsolete	D	C	B	A	NO OF POS	PART NUMBER
	73.66 [2.900]	29	81.28 [3.200]	83.82 [3.300]	60	1-1761604-6
	60.96 [2.400]	24	68.58 [2.700]	71.12 [2.800]	50	1-1761604-5
	48.26 [1.900]	19	55.88 [2.200]	58.42 [2.300]	40	1-1761604-3
	40.64 [1.600]	16	48.26 [1.900]	50.80 [2.000]	34	1-1761604-1
	30.48 [1.200]	12	38.10 [1.500]	40.64 [1.600]	26	1761604-9
	22.86 [0.900]	9	30.48 [1.200]	33.02 [1.300]	20	1761604-7
	17.78 [0.700]	7	25.40 [1.000]	27.94 [1.100]	16	1761604-6
	15.24 [0.600]	6	22.86 [0.900]	25.40 [1.000]	14	1761604-5
	10.16 [0.400]	4	17.78 [0.700]	20.32 [0.800]	10	1761604-3

THIS DRAWING IS A CONTROLLED DOCUMENT.

DIMENSIONS: MM[INCHES]	TOLERANCES UNLESS OTHERWISE SPECIFIED:	0 PLC ± -	1 PLC ± -	2 PLC ± -	3 PLC ± 0.13[.005]	4 PLC ± -	ANGLES ± -	
MATERIAL		FINISH		WEIGHT	SIZE	CAGE CODE	DRAWING NO	RESTRICTED TO
CUSTOMER DRAWING		SCALE 4:1		SHEET 1 OF 1	REV A			

DYN B. CRISAMORE 30JUN05
 CHK S. BOLASH 30JUN05
 APD M. WALMSLEY 30JUN05
 NAME M. WALMSLEY
 PRODUCT SPEC
 APPLICATION SPEC
 SIZE A1
 CAGE CODE 00779
 DRAWING NO 1761604
 RESTRICTED TO
 Tyco Electronics Corporation
 Harrisburg, Pa 17105
 tyco Electronics
 HEADER ASSEMBLY, RIGHT ANGLE, LOW PROFILE, IDC
 CUSTOMER DRAWING