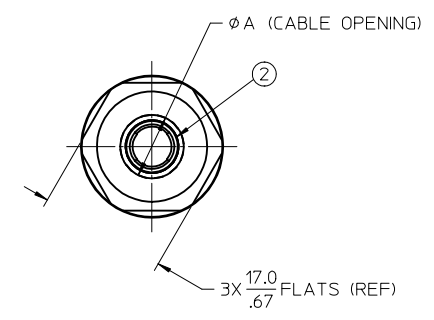
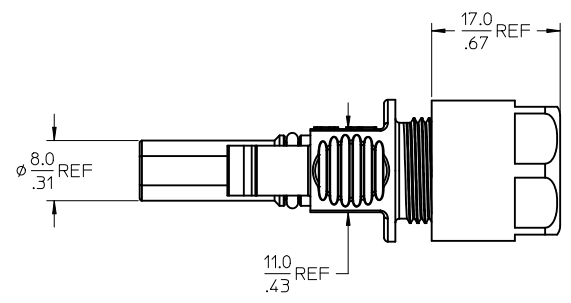
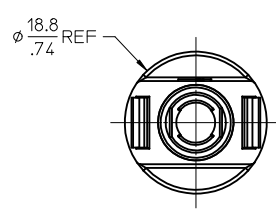
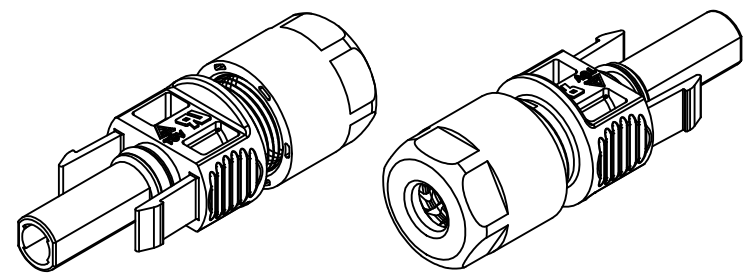
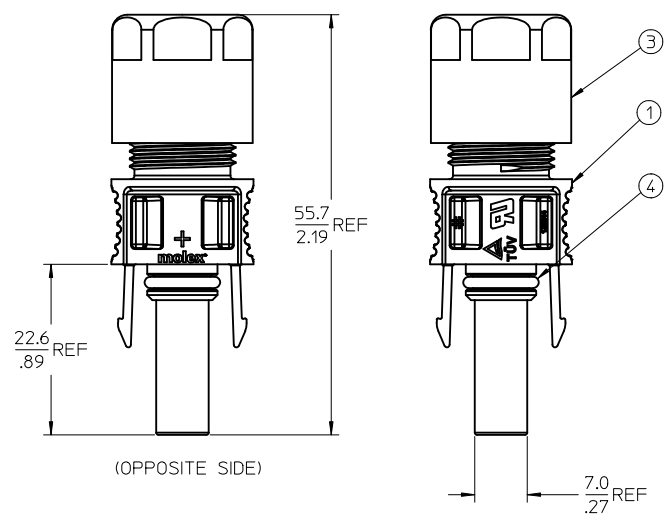


1302440203	2.5 mm ² / 14 AWG	5.8-6.7 / .23-.26	7.0 / .28
1302440201	4.0-6.0 mm ² / 12-10 AWG	6.7-7.8 / .26-.31	8.4 / .33
MATERIAL NO.	CABLE SIZE	CABLE Ø RANGE	DIM. "A"



- NOTES:
1. MATERIALS: SEE TABLE
 2. FINISHES: SEE TABLE
 3. PRODUCT SPECIFICATION: PS-130244-001
 4. PACKAGING SPECIFICATION: PK-130244-001
 5. USE SOLARSPEC TERMINAL SERIES 130197
 6. MATES WITH: 1302440202 OR 1302440204
 7. ASSEMBLY IS ROHS COMPLIANT.

4	1	O-RING SEAL	SILICONE	DARK GRAY
3	1	CABLE RETENTION NUT	POLYCARBONATE (PC)	BLACK
2	1	CABLE GROMMET	SILICONE	TRANSLUCENT
1	1	SOCKET HOUSING	POLYCARBONATE (PC)	BLACK
ITEM	QTY	DESCRIPTION	MATERIAL	FINISH

DOC RELEASE EC NO: IPG2012-0291 DRWNR:RUPERT 2011/03/04 CHKD: APPR:DTITUS 2012/02/24	QUALITY SYMBOLS	GENERAL TOLERANCES (UNLESS SPECIFIED)	DIMENSION STYLE	SCALE	DESIGN UNITS	THIRD ANGLE PROJECTION															
	$\nabla=0$ $\nabla=0$	<table border="1"> <tr> <th></th> <th>mm</th> <th>INCH</th> </tr> <tr> <td>4 PLACES</td> <td>± .13</td> <td>± .005</td> </tr> <tr> <td>3 PLACES</td> <td>± .13</td> <td>± .005</td> </tr> <tr> <td>2 PLACES</td> <td>± 0.13</td> <td>± .010</td> </tr> <tr> <td>1 PLACE</td> <td>± 0.25</td> <td>± .010</td> </tr> </table>		mm	INCH	4 PLACES	± .13	± .005	3 PLACES	± .13	± .005	2 PLACES	± 0.13	± .010	1 PLACE	± 0.25	± .010	MM/IN	2:1	METRIC	
		mm	INCH																		
	4 PLACES	± .13	± .005																		
3 PLACES	± .13	± .005																			
2 PLACES	± 0.13	± .010																			
1 PLACE	± 0.25	± .010																			
			DRAWN BY: CLYORK CHECKED BY: DTITUS APPROVED BY: DTITUS DATE: 2010/03/17 DATE: 2010/03/17 DATE: 2010/10/28	SOCKET ASSEMBLY, PV SOLAR DC CONNECTOR, 14-10 AWG																	
		DRAFT WHERE APPLICABLE MUST REMAIN WITHIN DIMENSIONS	MATERIAL NO. SEE CHART SIZE C	DOCUMENT NO. SD-130244-001	SHEET NO. 1 OF 1																