

4

3

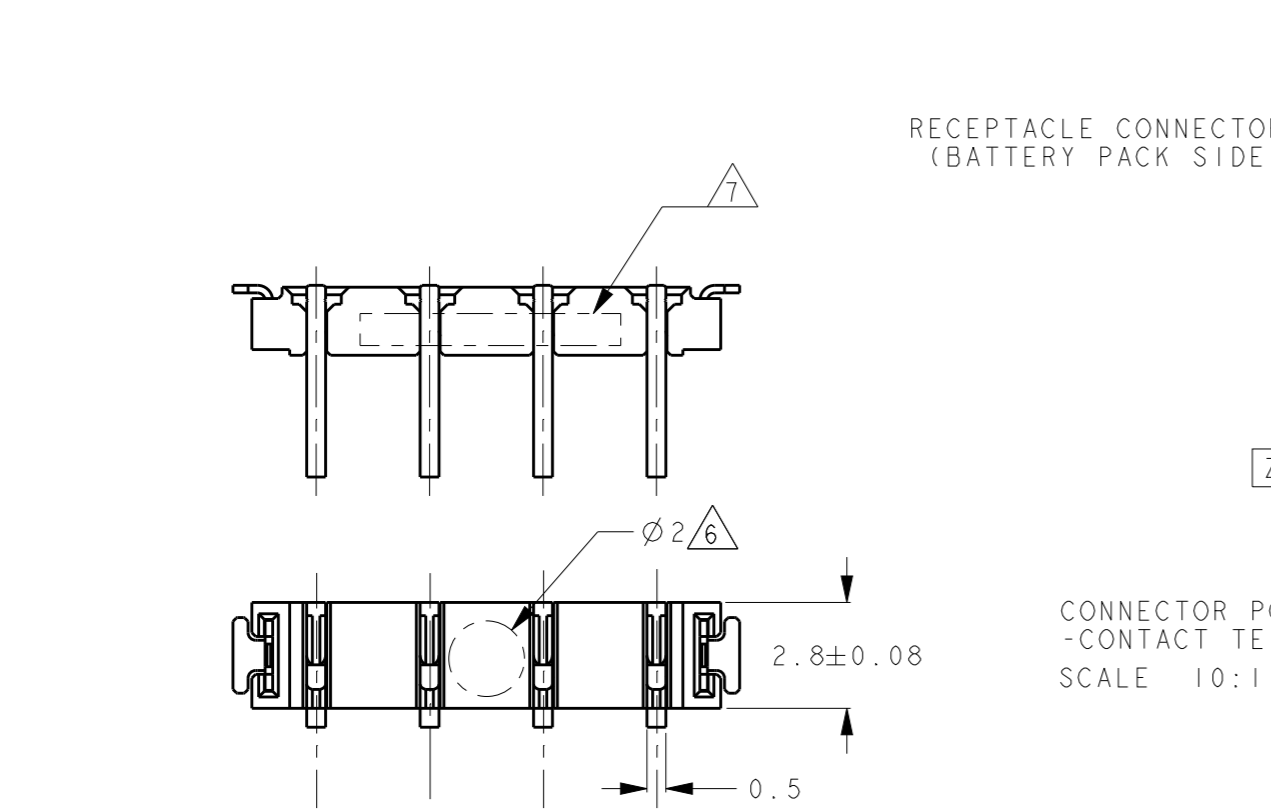
2

1

THIS DRAWING IS UNPUBLISHED. RELEASED FOR PUBLICATION 20

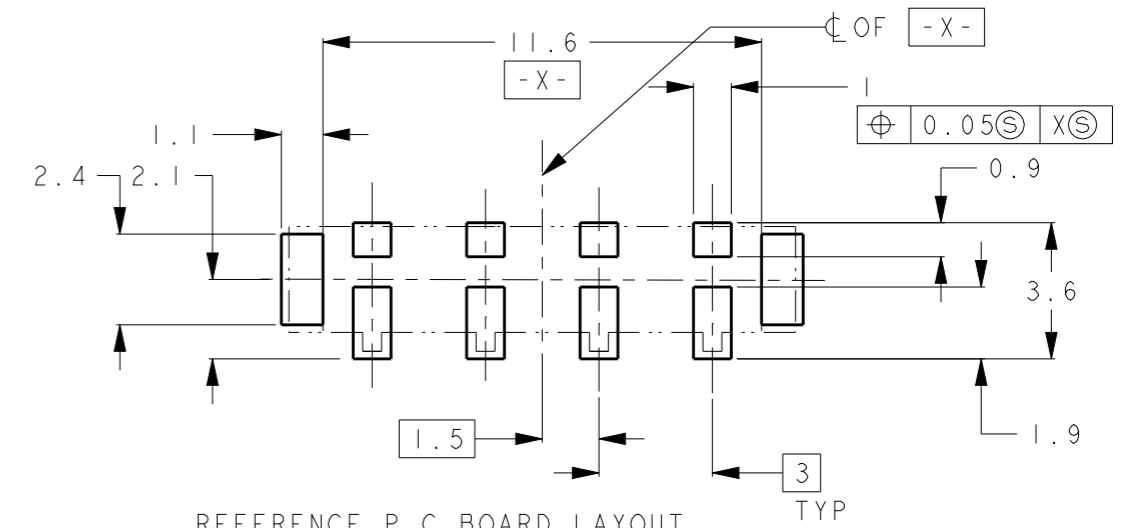
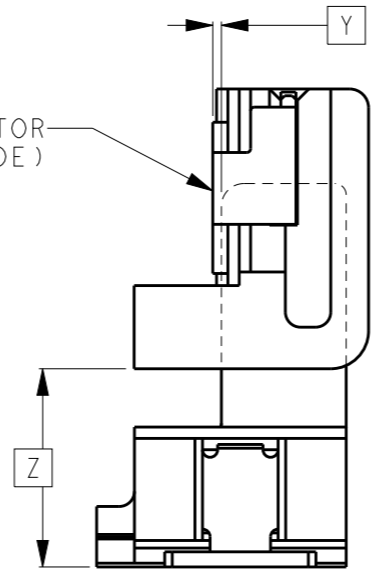
© COPYRIGHT 20 BY - ALL RIGHTS RESERVED.

| LOC | DIST | REVISIONS | | | |
|-----|------|-------------|-----------------------|-----------|---------|
| P | LTR | DESCRIPTION | DATE | DWN | APVD |
| ES | - | A | RELEASED | 04FEB2013 | R.W S.Y |
| | | AI | REVISED ECO-19-007567 | 08MAY2019 | K.G W.H |

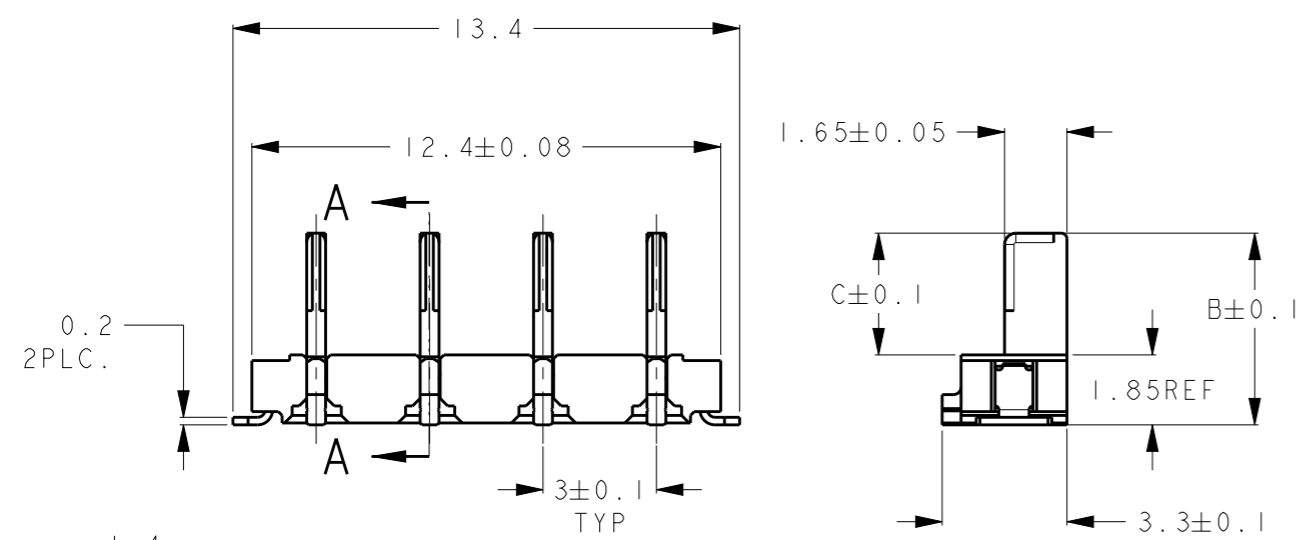


RECEPTACLE CONNECTOR (BATTERY PACK SIDE)

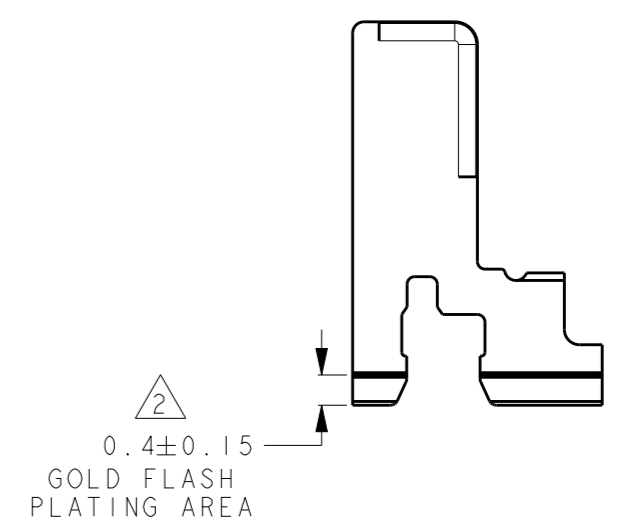
CONNECTOR POSITIONING - CONTACT TE FOR GUIDELINES. SCALE 10:1



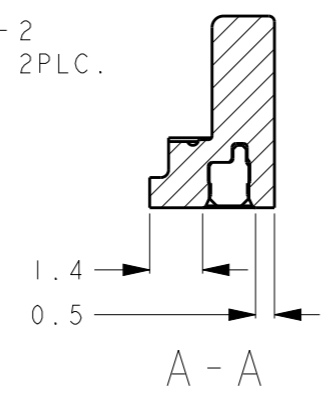
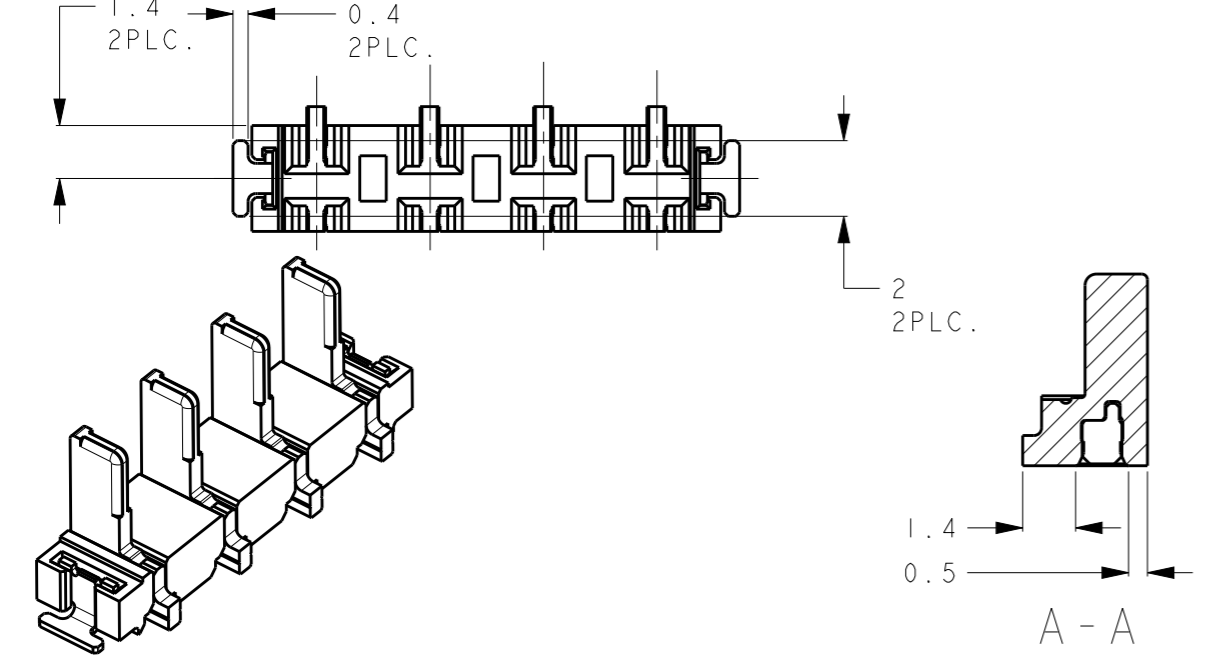
REFERENCE P.C BOARD LAYOUT (GENERAL TOLERANCE: ±0.05, SCALE 5:1)



- 1 MATERIAL CONTACT: BRASS HOUSING: LCP UL94V-0 BLACK SOLDER PEG: BRASS
- 2 FINISH CONTACT: NICKEL ALL OVER UNDER PLATING, 3um MIN. GOLD PLATING AT CONTACT AREA, 0.76um MIN. GOLD FLASH PLATING AT LEAD AREA, 0.05-0.2um
- 3 FINISH CONTACT: NICKEL ALL OVER UNDER PLATING, 3um MIN. GOLD PLATING AT CONTACT AREA, 0.5um MIN. GOLD FLASH PLATING AT LEAD AREA, 0.05-0.2um
- 4 FINISH SOLDER PEG: NICKEL ALL OVER UNDER PLATING, 1.27um MIN. TIN PLATING ALL OVER, 2-5um
- 5 COPLANARITY 0.08MAX.
- 6 PICKING AREA
- 7 DATE CODE



0.4±0.15 GOLD FLASH PLATING AREA

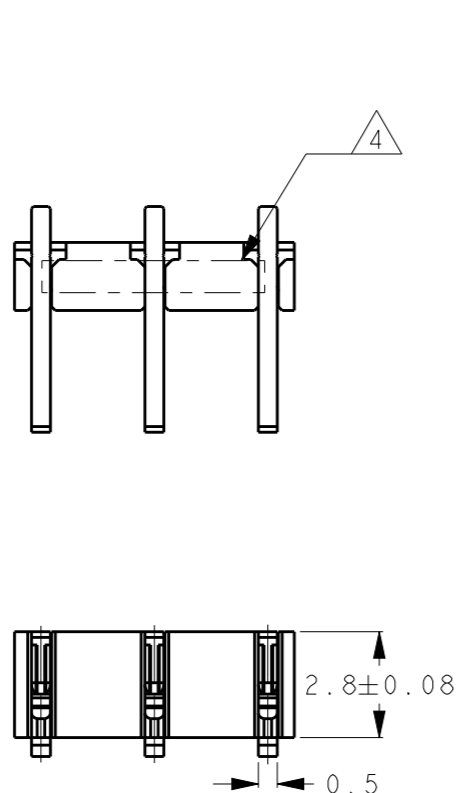


| | | | | |
|------|------|--------|---|-----------|
| 2.7 | 4.55 | 3 | 4 | 1554953-2 |
| 3.22 | 5.07 | 2 | 4 | 1554953-1 |
| C | B | FINISH | | P/N |

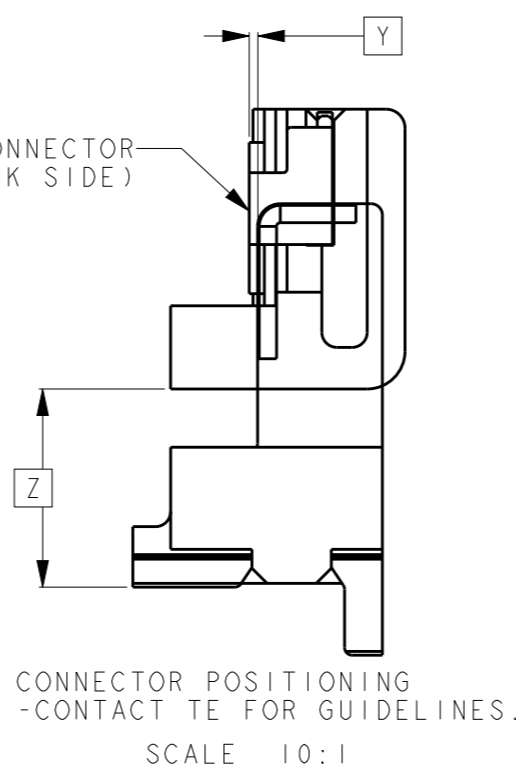
| | | | | |
|---|--|--------------------------|---|-----------------|
| THIS DRAWING IS A CONTROLLED DOCUMENT. | | DWN R.WANG 04FEB2013 | TE Connectivity | |
| DIMENSIONS: mm | | CHK W.HE 04FEB2013 | | |
| TOLERANCES UNLESS OTHERWISE SPECIFIED: ±0.15 | | APVD S.YAO 04FEB2013 | | |
| 0 PLC ± 1 PLC ±0.1 2 PLC ±0.01 3 PLC ±0.001 4 PLC ±0.0001 ANGLES ± | | PRODUCT SPEC 108-78722-1 | | |
| MATERIAL 1 | | FINISH 2 | NAME FLOATING BATTERY INTERCONNECTION SYSTEMS PLUG ASSEMBLY 4 POS V TYPE, H4.55 | |
| WEIGHT 0.24g | | Customer Drawing | SIZE A3 | CAGE CODE 00779 |
| SCALE 9:1 | | DRAWING NO C=1554953 | RESTRICTED TO - | |
| SHEET 1 OF 3 | | REV AI | | |

THIS DRAWING IS UNPUBLISHED. RELEASED FOR PUBLICATION 20
 © COPYRIGHT 20 BY - ALL RIGHTS RESERVED.

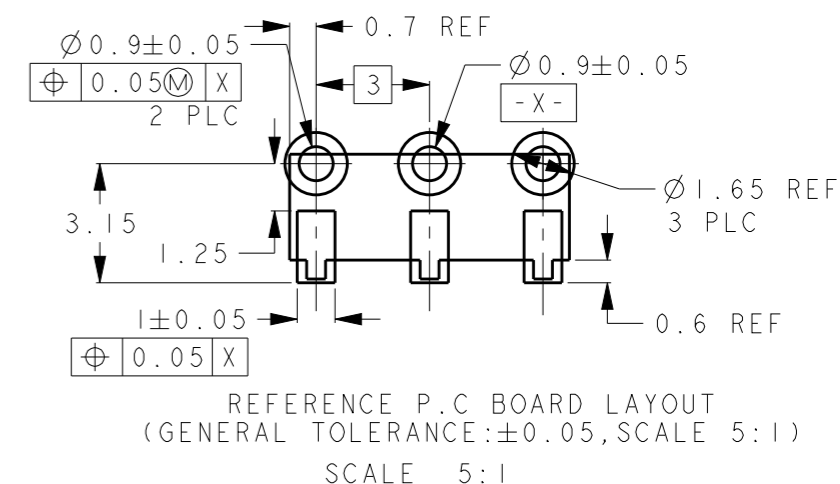
| LOC | DIST | REVISIONS | | | |
|-----|------|-------------|------|-----|------|
| P | LTR | DESCRIPTION | DATE | DWN | APVD |
| | | SEE SHEET 1 | - | - | - |



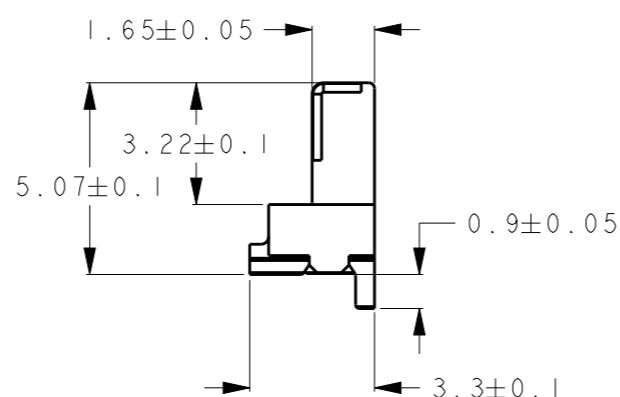
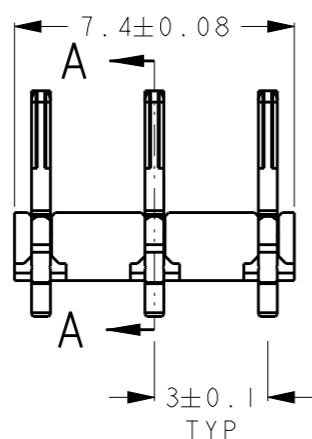
RECEPTACLE CONNECTOR
(BATTERY PACK SIDE)



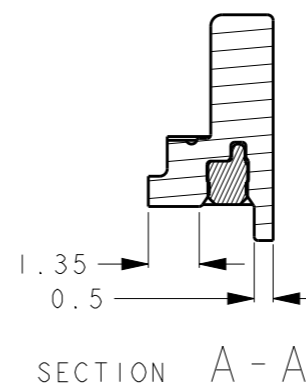
CONNECTOR POSITIONING
-CONTACT TE FOR GUIDELINES.
SCALE 10:1



REFERENCE P.C BOARD LAYOUT
(GENERAL TOLERANCE:±0.05, SCALE 5:1)
SCALE 5:1



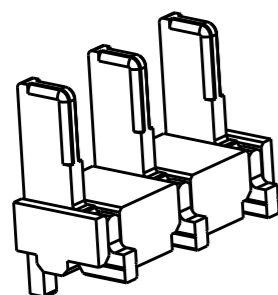
2 0.4 MIN
GOLD FLASH
PLATING AREA



SECTION A - A

- 1 MATERIAL
CONTACT: BRASS
HOUSING: LCP UL94V-0 BLACK
SOLDER PEG: BRASS
- 2 FINISH
CONTACT: NICKEL ALL OVER UNDER PLATING, 3um MIN.
GOLD PLATING AT CONTACT AREA, 0.76um MIN.
GOLD FLASH PLATING AT LEAD AREA, 0.05~0.2um
- 3. COPLANARITY 0.08MAX.
- 4 DATE CODE

| | |
|----------|-----------|
| 2 | 1554953-3 |
| FINISHED | P/N |



| | | | | |
|---|--|--------------------------|--|---------------------|
| THIS DRAWING IS A CONTROLLED DOCUMENT. | | DWN R. WANG 04FEB2013 | TE Connectivity | |
| DIMENSIONS: mm | | CHK W. HE 04FEB2013 | | |
| TOLERANCES UNLESS OTHERWISE SPECIFIED: ±0.15 | | APVD S. YAO 04FEB2013 | NAME FLOATING BATTERY INTERCONNECTION SYSTEMS PLUG ASSEMBLY 3POS V TYPE, H4.55 | |
| 0 PLC ± 1 PLC ±0.1 2 PLC ±0.01 3 PLC ±0.001 4 PLC ±0.0001 ANGLES ± | | PRODUCT SPEC 108-78722-1 | RESTRICTED TO | |
| MATERIAL - FINISH - | | APPLICATION SPEC - | SIZE A300779 | CAGE CODE C=1554953 |
| | | WEIGHT 0.20g | DRAWING NO | |
| | | Customer Drawing | SCALE 5:1 | SHEET 2 OF 3 REV A1 |

THIS DRAWING IS UNPUBLISHED.

RELEASED FOR PUBLICATION

20

© COPYRIGHT 20 BY -

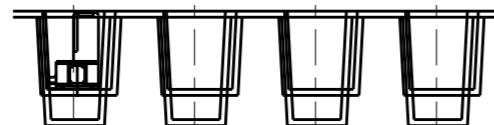
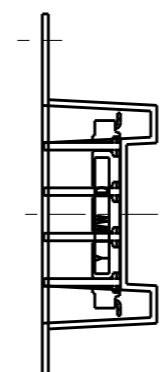
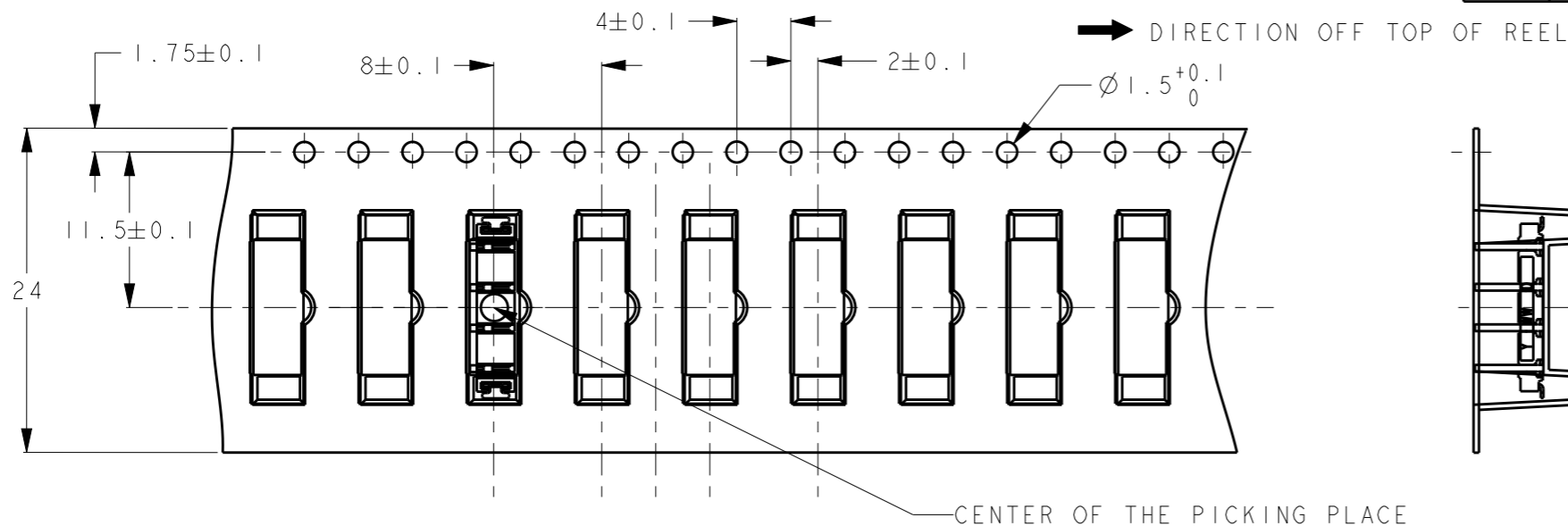
ALL RIGHTS RESERVED.

LOC
ES

DIST
-

REVISIONS

| P | LTR | DESCRIPTION | DATE | DWN | APVD |
|---|-----|-------------|------|-----|------|
| - | - | SEE SHEET 1 | - | - | - |

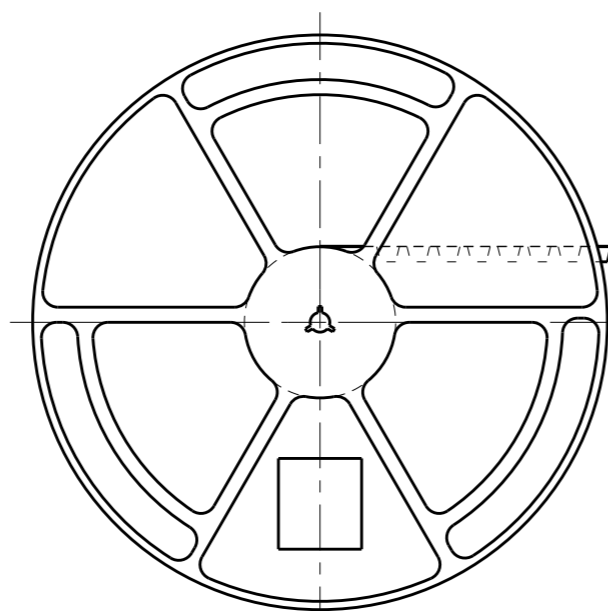


FLANGE CORE DIA
 $\phi 100$ REF

$\phi 330$ REF
REEL DIA.

30 REF
REEL WIDTH

26 REF



300 REF
WEEDING THE COVER TAPE.

165°~180°
PEELING ANGLE
0.1~0.7N(300mm/min)
PEELING STRENGTH

WITH PRODUCT CHARGE

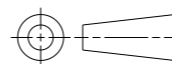
WITHOUT CHARGE
20 HOLES MIN.

300 REF
WITHOUT CHARGE

| | |
|----------|-----------|
| 1000 | 1554953-3 |
| 1000 | 1554953-2 |
| 1000 | 1554953-1 |
| QTY/REEL | P/N |

THIS DRAWING IS A CONTROLLED DOCUMENT.

DIMENSIONS:
mm



TOLERANCES UNLESS
OTHERWISE SPECIFIED:
± 0.3

| | |
|--------|---------|
| 0 PLC | ± |
| 1 PLC | ±0.1 |
| 2 PLC | ±0.01 |
| 3 PLC | ±0.001 |
| 4 PLC | ±0.0001 |
| ANGLES | ± |

MATERIAL

FINISH

DWN R. WANG 04FEB2013

CHK W. HE 04FEB2013

APVD S. YAO 04FEB2013

PRODUCT SPEC

108-78722-1

APPLICATION SPEC

WEIGHT

0.24g

Customer Drawing



TE Connectivity

NAME
FLOATING BATTERY
INTERCONNECTION SYSTEMS
PLUG ASSEMBLY V TYPE, H4.55

SIZE CAGE CODE DRAWING NO RESTRICTED TO

A300779 C=1554953

SCALE 9:1

SHEET 3 OF 3

REV A1