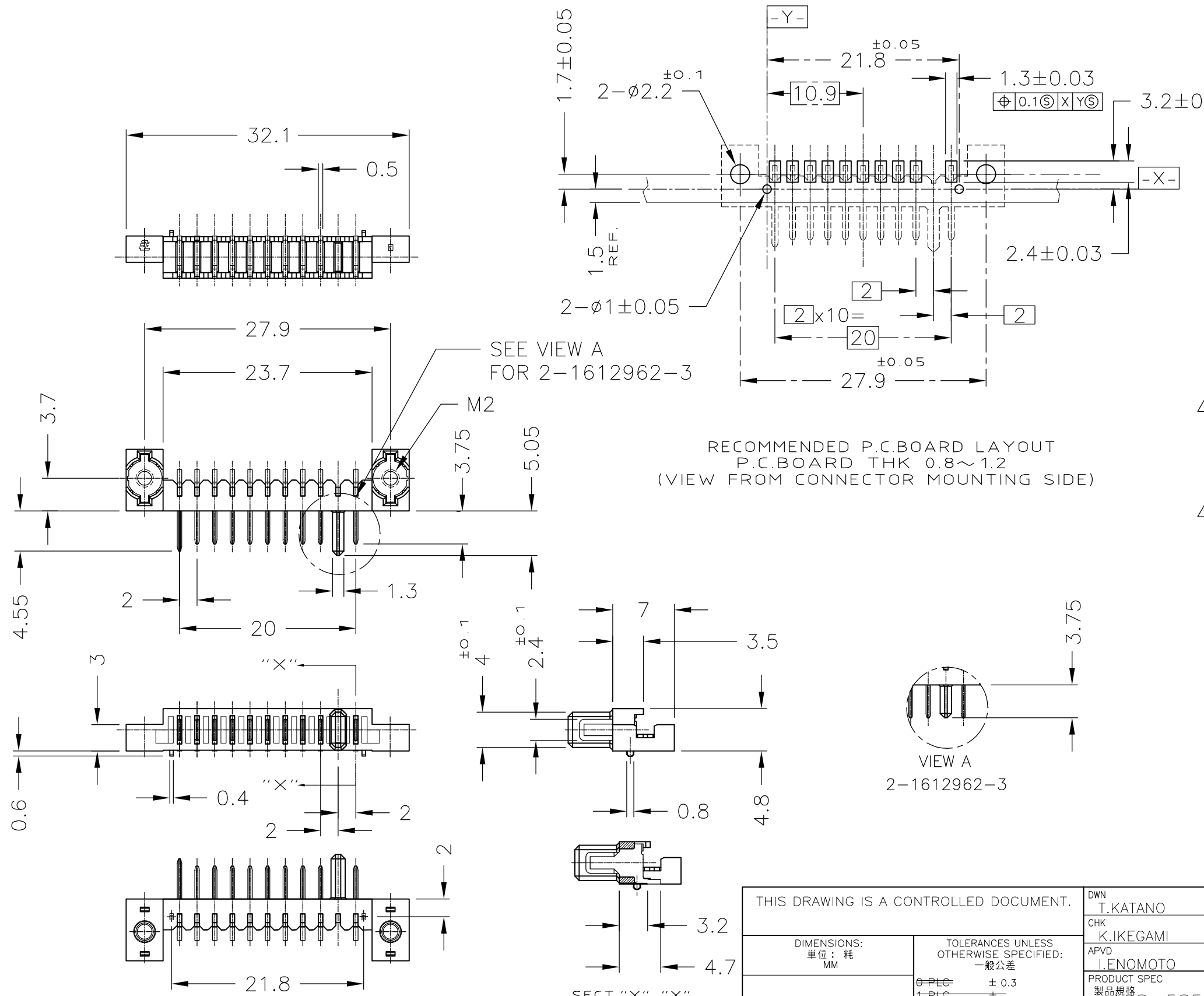


THIS DRAWING IS UNPUBLISHED. RELEASED FOR PUBLICATION  
 © COPYRIGHT - By - ALL RIGHTS RESERVED.

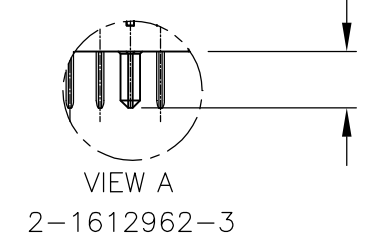
LOC	DIST	REVISIONS					
ES	-	P	LTR	DESCRIPTION	DATE	DWN	APVD
			C	REVISED PER ECR-12-002187	17FEB2012	E.L	X.X

1612962-3 : AS SHOWN



RECOMMENDED P.C.BOARD LAYOUT  
 P.C.BOARD THK 0.8~1.2  
 (VIEW FROM CONNECTOR MOUNTING SIDE)

- △ MATERIAL HOUSING : THERMOPLASTIC RESIN, UL94V-0  
 COLOR ; BLACK  
 CONTACT : COPPER ALLOY  
 NUT PLATE : STAINLESS STEEL
  - △ FINISH CONTACT : Ni ALL OVER UNDER PL  
 GOLD PL. (0.3μm MIN.) AT CONTACT AREA  
 Au FLUSH PL. AT LEAD AREA
3. 1-1612962-3 : WITHOUT NUT PLATE, SEE SHEET 2



WITH NUT PLATE	8	3-1612962-3
WITH NUT PLATE	10	2-1612962-3
WITHOUT NUT PLATE	10	1-1612962-3
WITH NUT PLATE	10	1612962-3
DESCRIPTION	N (POS)	PART NO.

THIS DRAWING IS A CONTROLLED DOCUMENT.

DIMENSIONS: 単位: 耗 MM	TOLERANCES UNLESS OTHERWISE SPECIFIED: 一般公差	DWN T.KATANO 17DEC02
Ø-PLC ±0.3	1-PLC ±	CHK K.IKEGAMI 17DEC02
2-PLC ±	3-PLC ±	APVD I.ENOMOTO 17DEC02
4-PLC ±	ANGLES ±3'	PRODUCT SPEC 製品規格 108-5850
MATERIAL 材料	FINISH 仕上	APPLICATION SPEC 取付適用規格
△	△	WEIGHT

**STE** TE Connectivity

PLUG ASSEMBLY  
 2mm PITCH BATTERY CONNECTOR

SIZE	CAGE CODE	DRAWING NO 番号	RESTRICTED TO
A3	00779	C-1612962	-

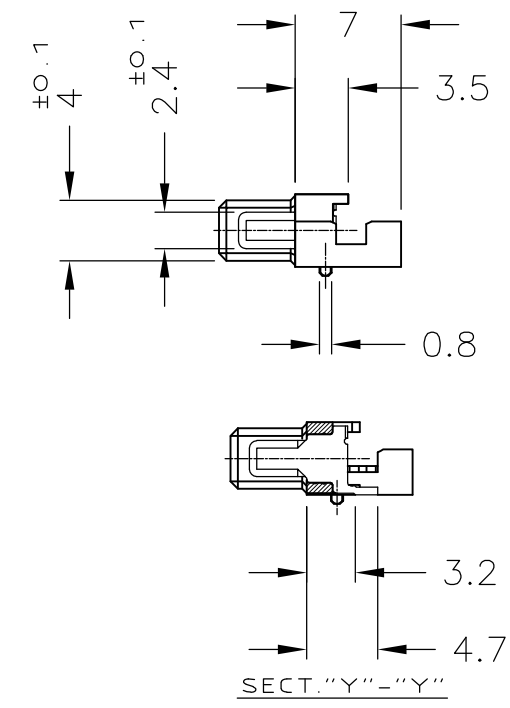
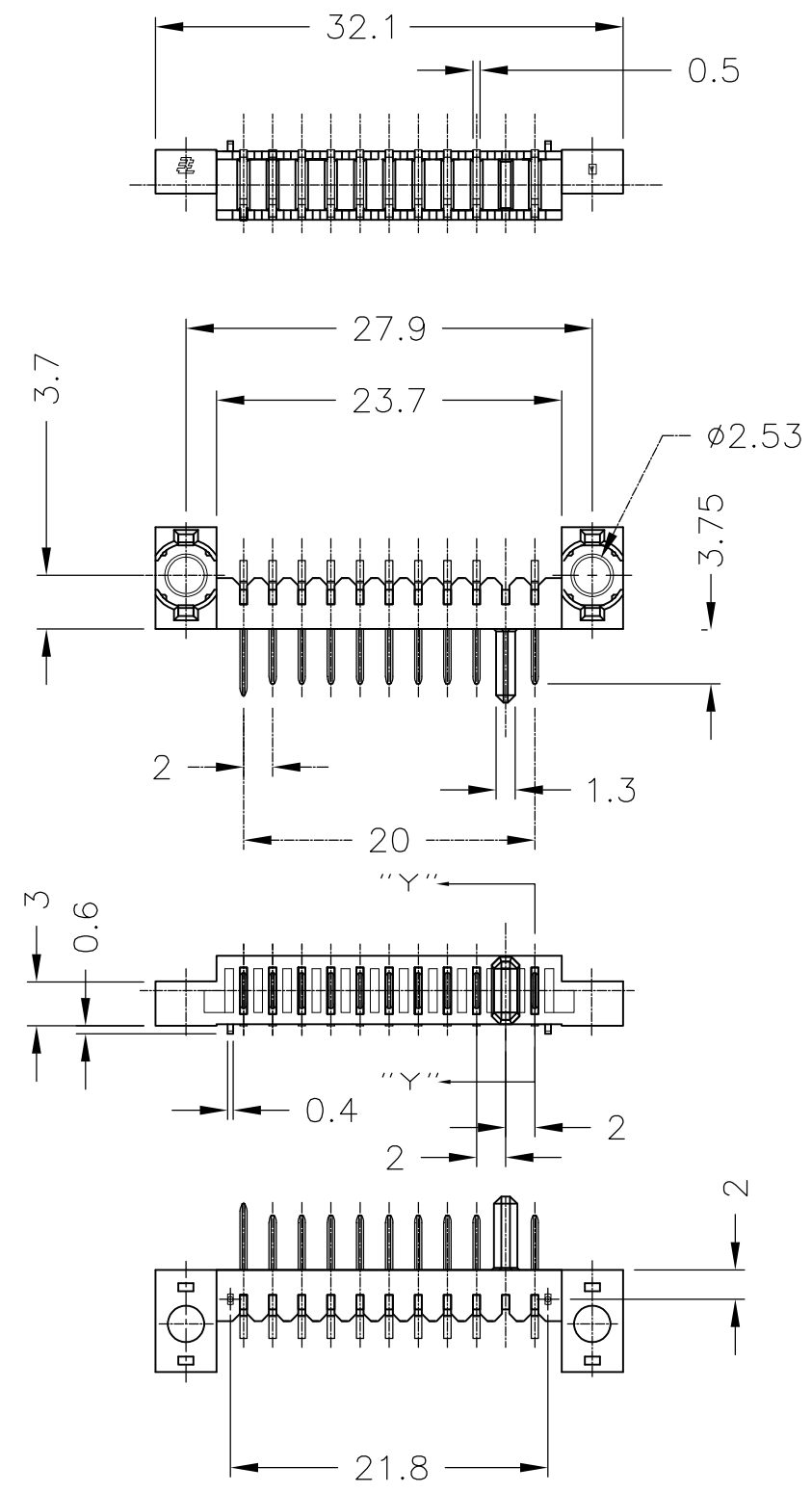
CUSTOMER DRAWING

SCALE 尺度 2:1 SHEET 1 OF 3 REV C

THIS DRAWING IS UNPUBLISHED. RELEASED FOR PUBLICATION  
 © COPYRIGHT - By - ALL RIGHTS RESERVED.

LOC ES	DIST -	REVISIONS 変更			DATE	DWN	APVD
		P	LTR	DESCRIPTION			
				SEE SHEET 1			

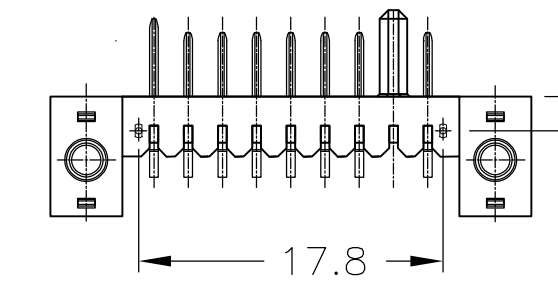
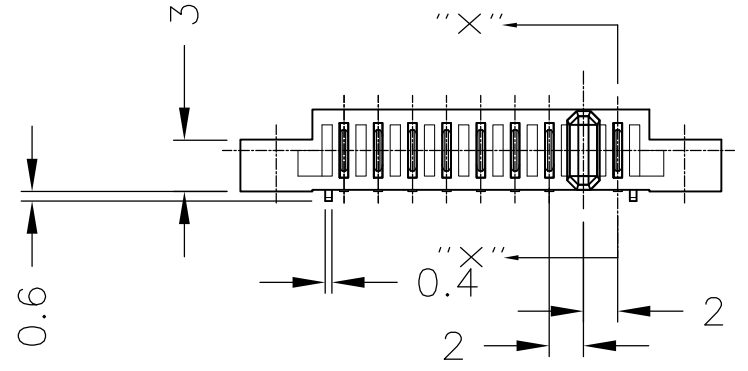
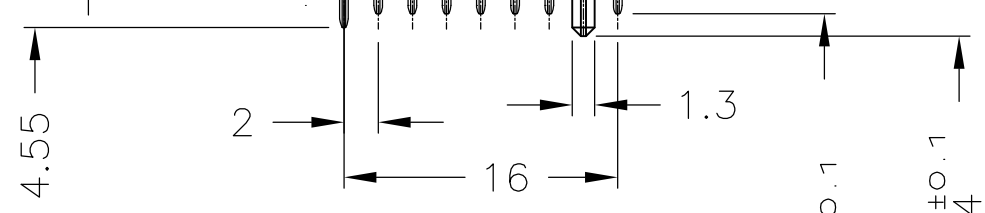
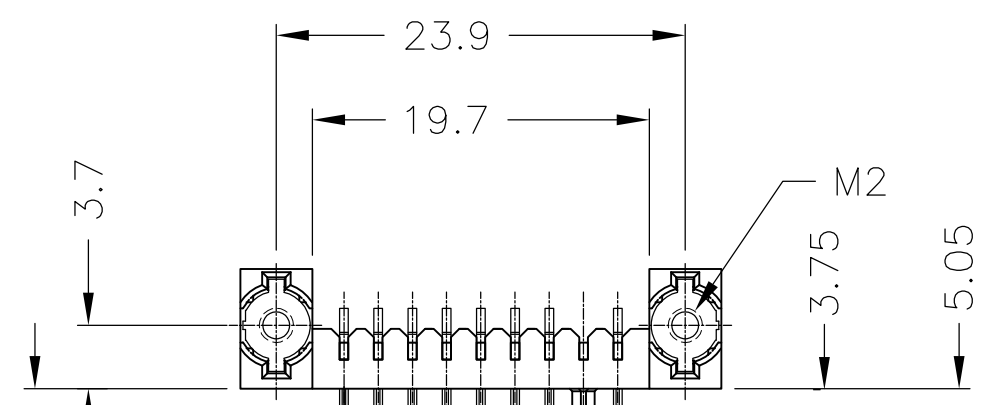
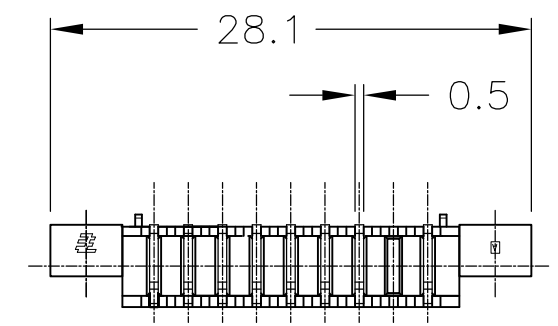
1-1612962-3 : AS SHOWN



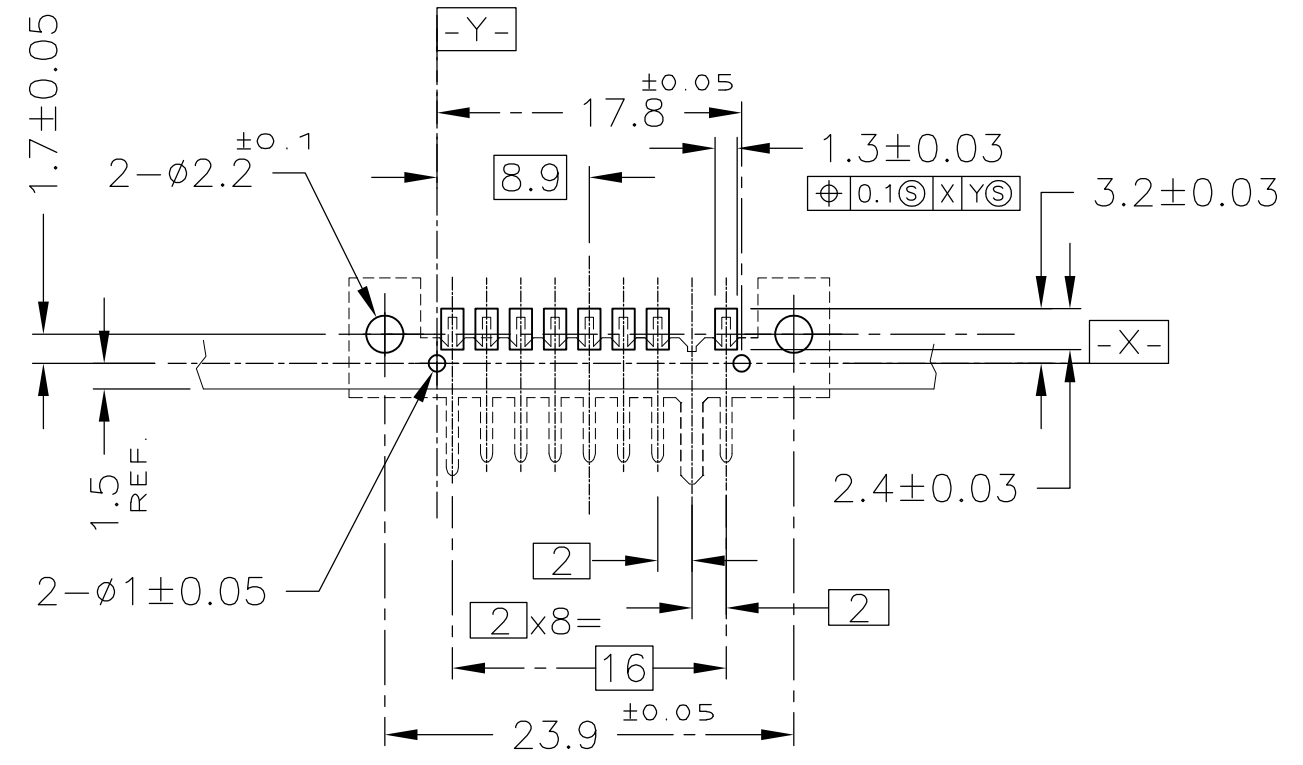
THIS DRAWING IS A CONTROLLED DOCUMENT.		DWN SEE SHEET 1	TE Connectivity					
DIMENSIONS: 单位: 耗 MM		CHK				NAME 名称	PLUG ASSEMBLY 2mm PITCH BATTERY CONNECTOR	
TOLERANCES UNLESS OTHERWISE SPECIFIED: 一般公差		APVD	PRODUCT SPEC 製品規格	SIZE	CAGE CODE	DRAWING NO 番号	RESTRICTED TO	
0-PLC ± 0.3 1-PLC ± 2-PLC ± 3-PLC ± 4-PLC ± ANGLES ± 3°		APPLICATION SPEC 取付適用規格	WEIGHT	A3	00779	G-1612962		
MATERIAL 材料		FINISH 仕上		CUSTOMER DRAWING		SCALE 尺度 2:1	SHEET 2 OF 3	REV C

THIS DRAWING IS UNPUBLISHED. RELEASED FOR PUBLICATION  
 © COPYRIGHT - By - ALL RIGHTS RESERVED.

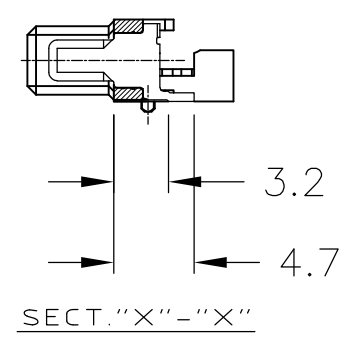
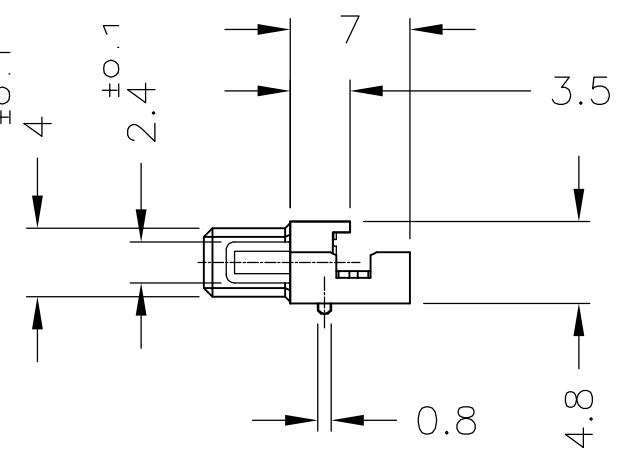
LOC	DIST	REVISIONS					
ES	-	P	LTR	DESCRIPTION	DATE	DWN	APVD
				SEE SHEET 1			



3-1612962-3 : AS SHOWN



RECOMMENDED P.C. BOARD LAYOUT  
 P.C. BOARD THK 0.8~1.2  
 (VIEW FROM CONNECTOR MOUNTING SIDE)



- ▲ MATERIAL HOUSING : THERMOPLASTIC RESIN, UL94V-0  
 COLOR ; BLACK  
 CONTACT : COPPER ALLOY  
 NUT PLATE : STAINLESS STEEL
- ▲ FINISH CONTACT : Ni ALL OVER UNDER PL  
 GOLD PL. (0.127μm MIN.) AT CONTACT AREA  
 Au FLASH PL. AT LEAD AREA

THIS DRAWING IS A CONTROLLED DOCUMENT.		DWN SEE SHEET 1	TE Connectivity					
DIMENSIONS: 単位: 耗 MM		CHK				NAME 名称	PLUG ASSEMBLY 2mm PITCH BATTERY CONNECTOR	
TOLERANCES UNLESS OTHERWISE SPECIFIED: 一般公差		APVD	PRODUCT SPEC 製品規格		SIZE	CAGE CODE	DRAWING NO 番号	RESTRICTED TO
∅-PLC ±0.3 1-PLC ± 2-PLC ± 3-PLC ± 4-PLC ± ANGLES ±3°		APPLICATION SPEC 取付適用規格	WEIGHT		A3	00779	G-1612962	-
MATERIAL 材料		FINISH 仕上	CUSTOMER DRAWING		SCALE 尺度	2:1	SHEET 3 OF 3	REV C