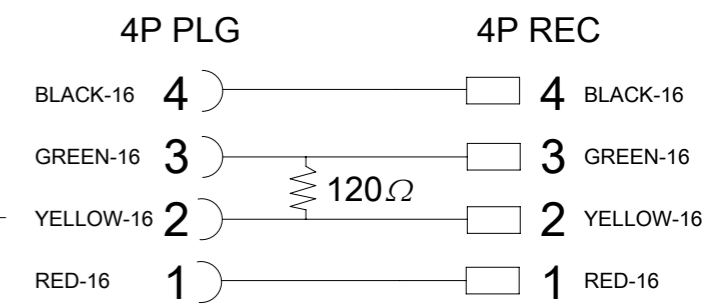


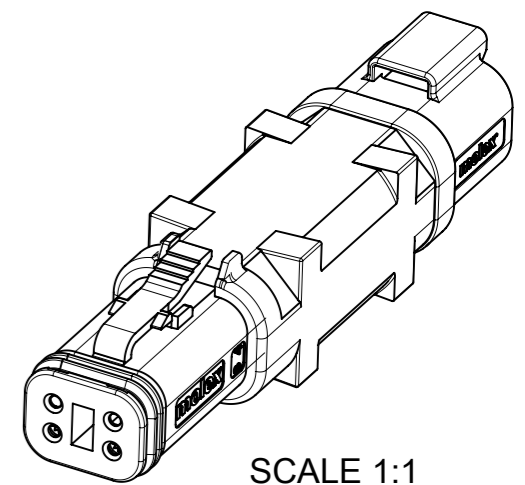
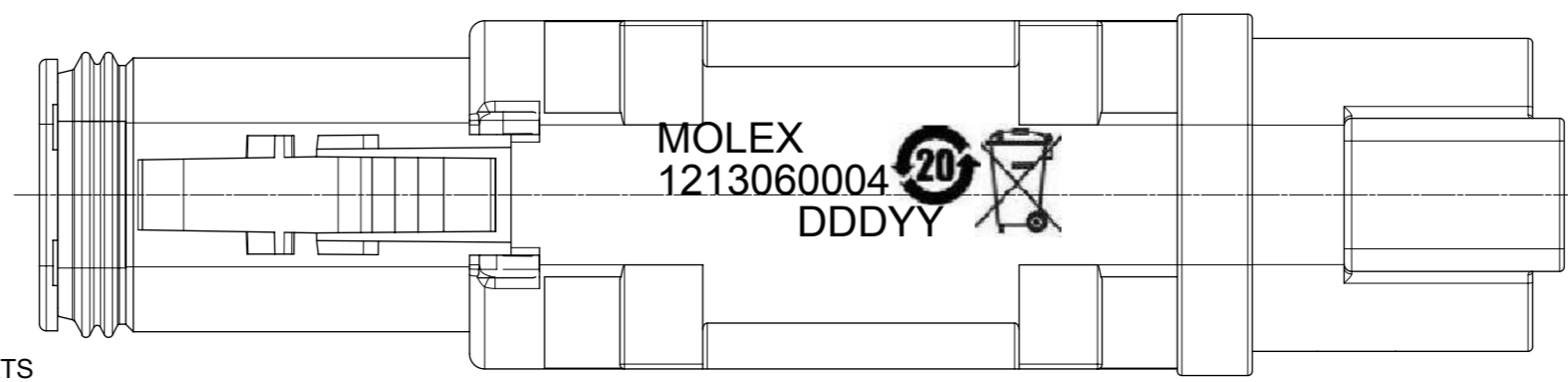
REAR VIEW

WIRING DIAGRAM



NOTES:

- ELECTRICAL DATA:
VOLTAGE LINES 1, 4: 30V
VOLTAGE LINES 2, 3: 5V
MAX. POWER LINES 2,3: 0.25W
- PROTECTION RATING: IP68 / IP69K
- OPERATING TEMPERATURE: -40°C TO 70°C (UP TO 85°C WITH MAX. 82% LOAD)
- PART PRINTED WITH LASER PRINTING.
CONTENT: SEE DRAWING
- PACKAGING: ACC. THE PK-DWG 1213060001PDDK00 PARTS ORDERED AND IN LAYERS, PROTECTED WITH HARD FOAM AND CARTON LAYERS, INSIDE MOLEX STANDARD CARTON BOXES
- PART ACC. TO SPECIFICATION NO. 1213060004 PS P10
- TERMINATOR TO BE TESTED FOR CONTINUITY, OPEN AND SHORT CIRCUITS AND LEAKAGE (LEAK STANDARD MAX. 0.3sccm)



SCALE 1:1

ITEM	QTY.	DESCRIPTION	MATERIAL	FINISH/COLOR
9	1	SEAL	SILICONE RUBBER	TRAFFIC RED
8	1	RESISTOR J1939 120 OHM 1/4W 5% CARBON FILM	-	-
7	1	WEDGELOCK NO KEY	NYLON 30% GF	GN
6	1	HOUSING REC	NYLON 30% GF	BU
5	4	CONTACT TERMINAL	COPPER ALLOY	Au OVER Ni
4	1	WEDGELOCK NO KEY	NYLON 30% GF	GN
3	1	HOUSING PLG	NYLON 30% GF	BK
2	4	CONTACT SOCKET TERMINAL	COPPER ALLOY	Au OVER Ni
1	1	OVERMOLD	PA 30% GF	BK
DOCUMENT STATUS		P1	RELEASE DATE	2018/10/22 13:53:25

SYMBOLS DIMENSION UNITS: mm SCALE: 2:1 GENERAL TOLERANCES (UNLESS SPECIFIED): ANGULAR TOL ± 1.0° 4 PLACES ± 3 PLACES ± 2 PLACES ± 0.05 1 PLACE ± 0.3 0 PLACES ± 0.5 DRAFT WHERE APPLICABLE MUST REMAIN WITHIN DIMENSIONS THIRD ANGLE PROJECTION	THIS DRAWING CONTAINS INFORMATION THAT IS PROPRIETARY TO MOLEX ELECTRONIC TECHNOLOGIES, LLC AND SHOULD NOT BE USED WITHOUT WRITTEN PERMISSION CURRENT REV DESC: FIRST RELEASE				
	EC NO: 606351 DRWN: JELIZAINCIN 2018/06/18 CHK'D: RSILLER 2018/10/22 APPR: RSILLER 2018/10/22				
INITIAL REVISION: DRWN: JELIZAINCIN 2018/06/18 APPR: RSILLER 2018/10/22			PRODUCT CUSTOMER DRAWING		
DOCUMENT NUMBER: 1213060004		DOC TYPE: PSD	DOC PART: 000	REVISION: A	SHEET NUMBER: 1 OF 1
MATERIAL NUMBER: 1213060004		CUSTOMER:	SERIES: 121306	DRAWING: A3-SIZE	SHEET NUMBER: 1 OF 1