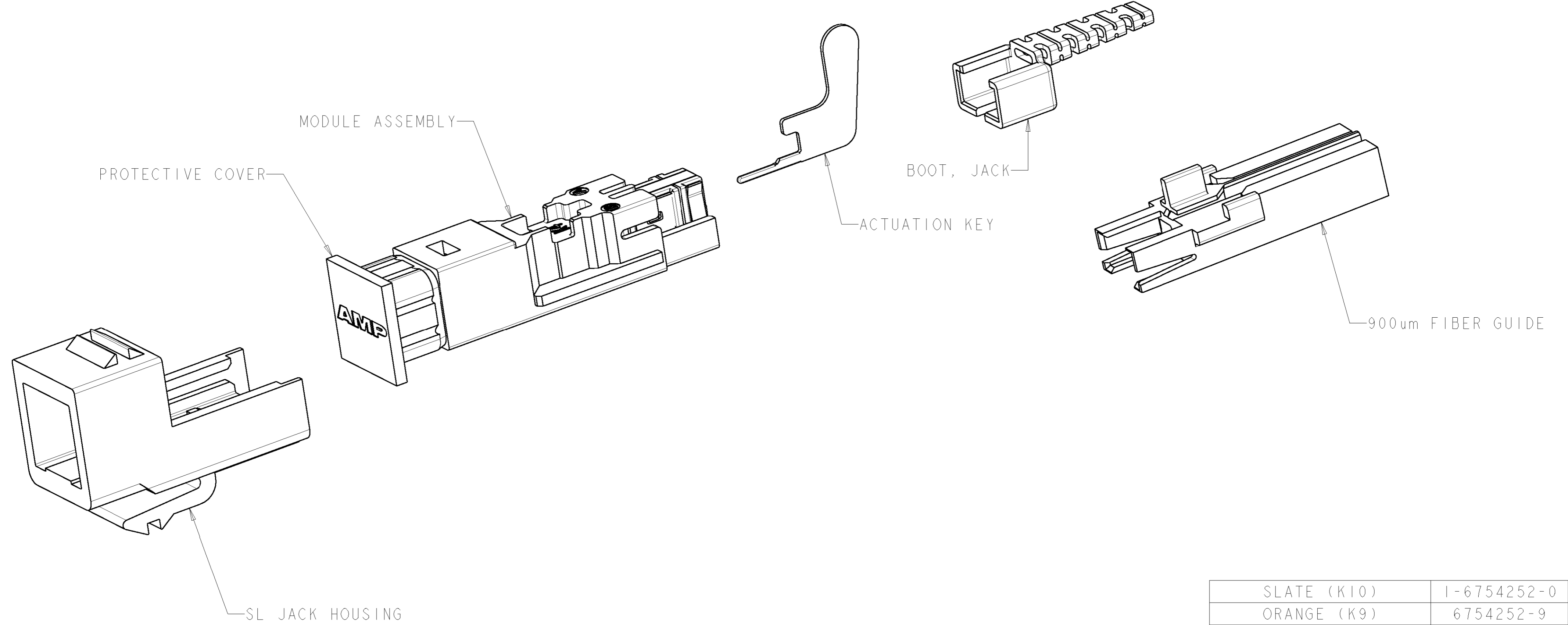


THIS DRAWING IS UNPUBLISHED. RELEASED FOR PUBLICATION
 © COPYRIGHT 19 BY TYCO ELECTRONICS CORPORATION. ALL RIGHTS RESERVED.

LOC	DIST	REVISIONS					
		P	LTR	DESCRIPTION	DATE	DWN	APVD
CE	00		A	REV PER ECR-06-003731	16FEB2006	BB	DK

1. INSURE THAT THE WALL BOX IS AT LEAST 50.8mm (2.0 INCHES) DEEP, WHEN INSTALLING MT-RJ WORKSTATION JACK KIT.



SLATE (K10)	1-6754252-0
ORANGE (K9)	6754252-9
VIOLET (K8)	6754252-8
BROWN (K7)	6754252-7
AQUA (K6)	6754252-6
ROSE (K5)	6754252-5
BLUE (K4)	6754252-4
GREEN (K3)	6754252-3
YELLOW (K2)	6754252-2
RED (K1)	6754252-1
DESCRIPTION	PART NUMBER

<small>THIS DRAWING IS A CONTROLLED DOCUMENT FOR TYCO ELECTRONICS CORPORATION. IT IS SUBJECT TO CHANGE AND THE CONTROLLING ENGINEERING ORGANIZATION SHOULD BE CONTACTED FOR THE LATEST REVISION.</small>		DWN B. BRIGGS 02NOV2005 CHK D. KIRSCH 02NOV2005 APVD S. RUCHTER 07NOV2005	AMP AMP Incorporated Harrisburg, PA 17105-3608
DIMENSIONS: mm 	TOLERANCES UNLESS OTHERWISE SPECIFIED: 0 PLC ± 1 PLC ± 2 PLC ± 3 PLC ± 4 PLC ± ANGLES ± FINISH -	PRODUCT SPEC - APPLICATION SPEC - WEIGHT -	NAME MT-RJ SECURE WORKSTATION JACK KIT, XG, 50/125, 900um SIZE A2 CAGE CODE 00779 C=6754252 DRAWING NO 6754252 RESTRICTED TO -
MATERIAL -		CUSTOMER DRAWING	SCALE 3:1 SHEET 1 OF 1 REV A